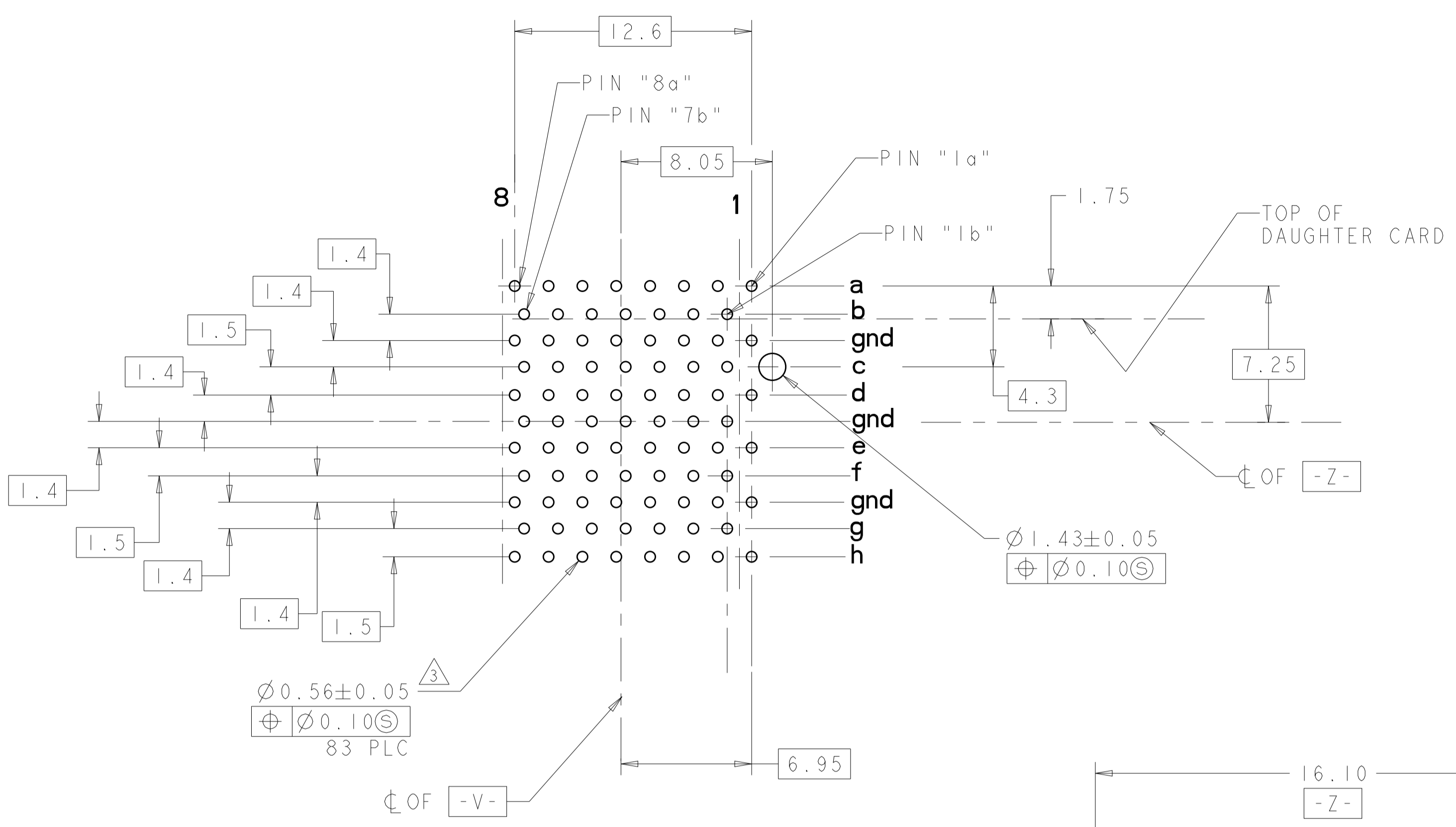
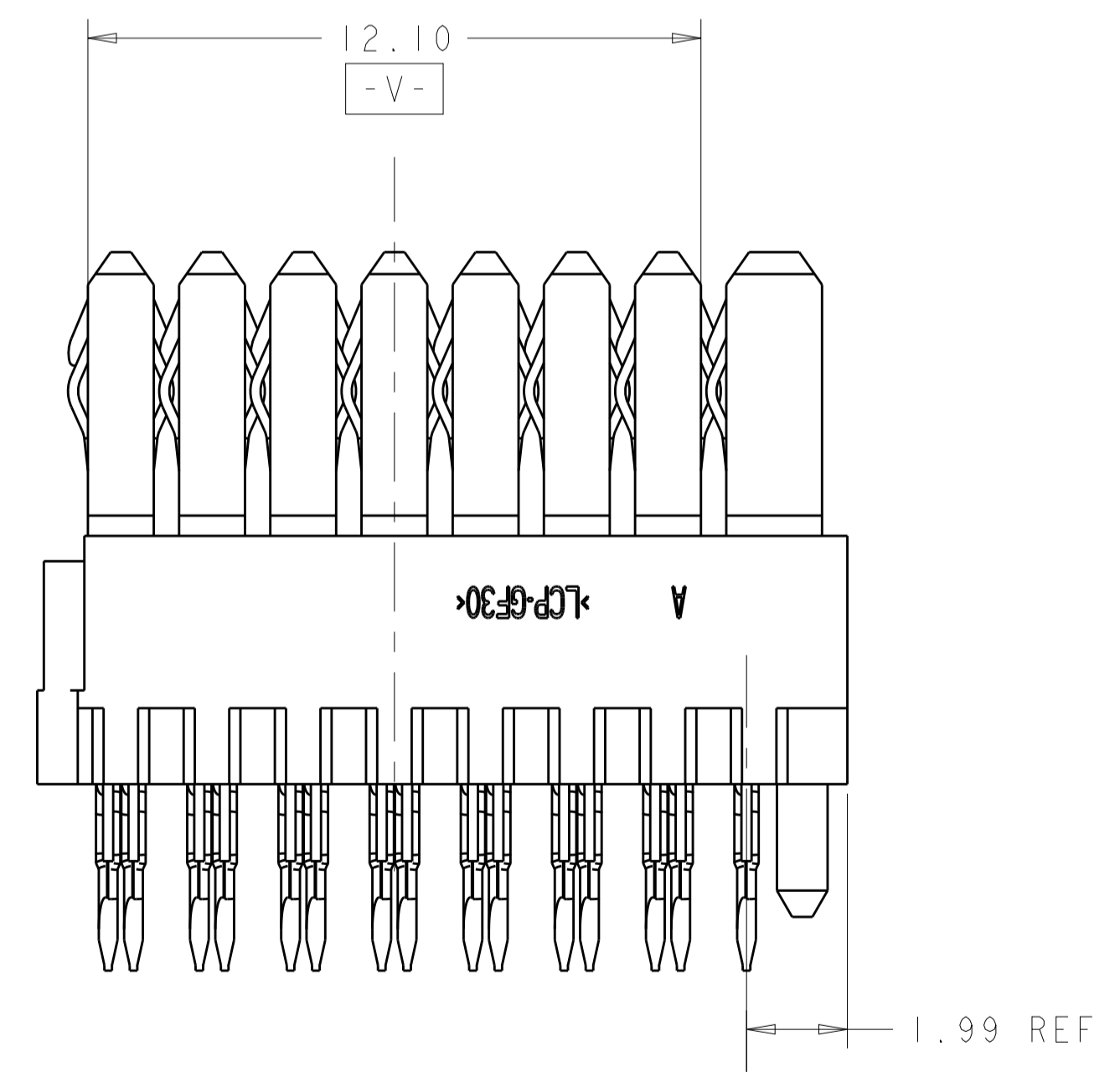
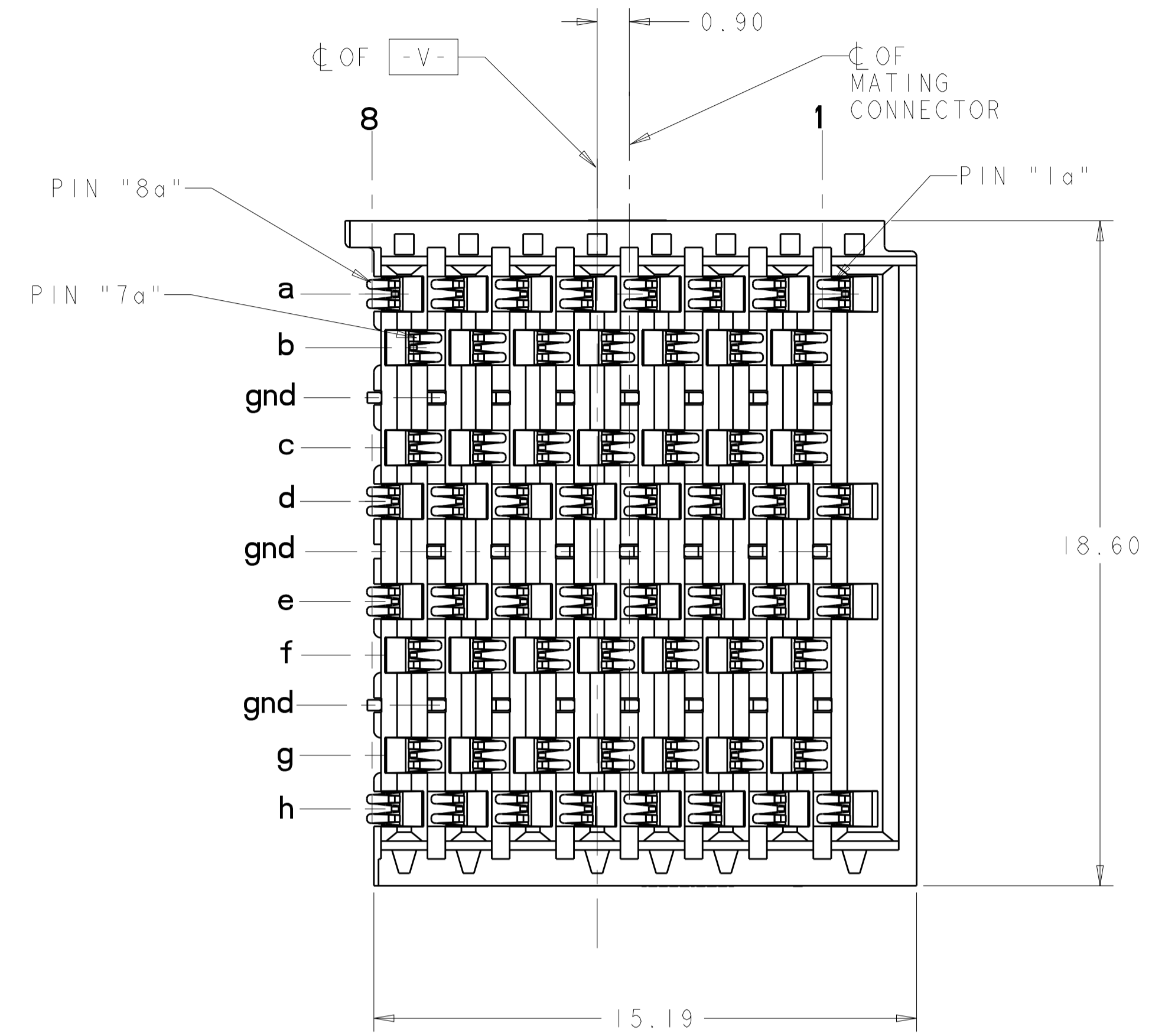
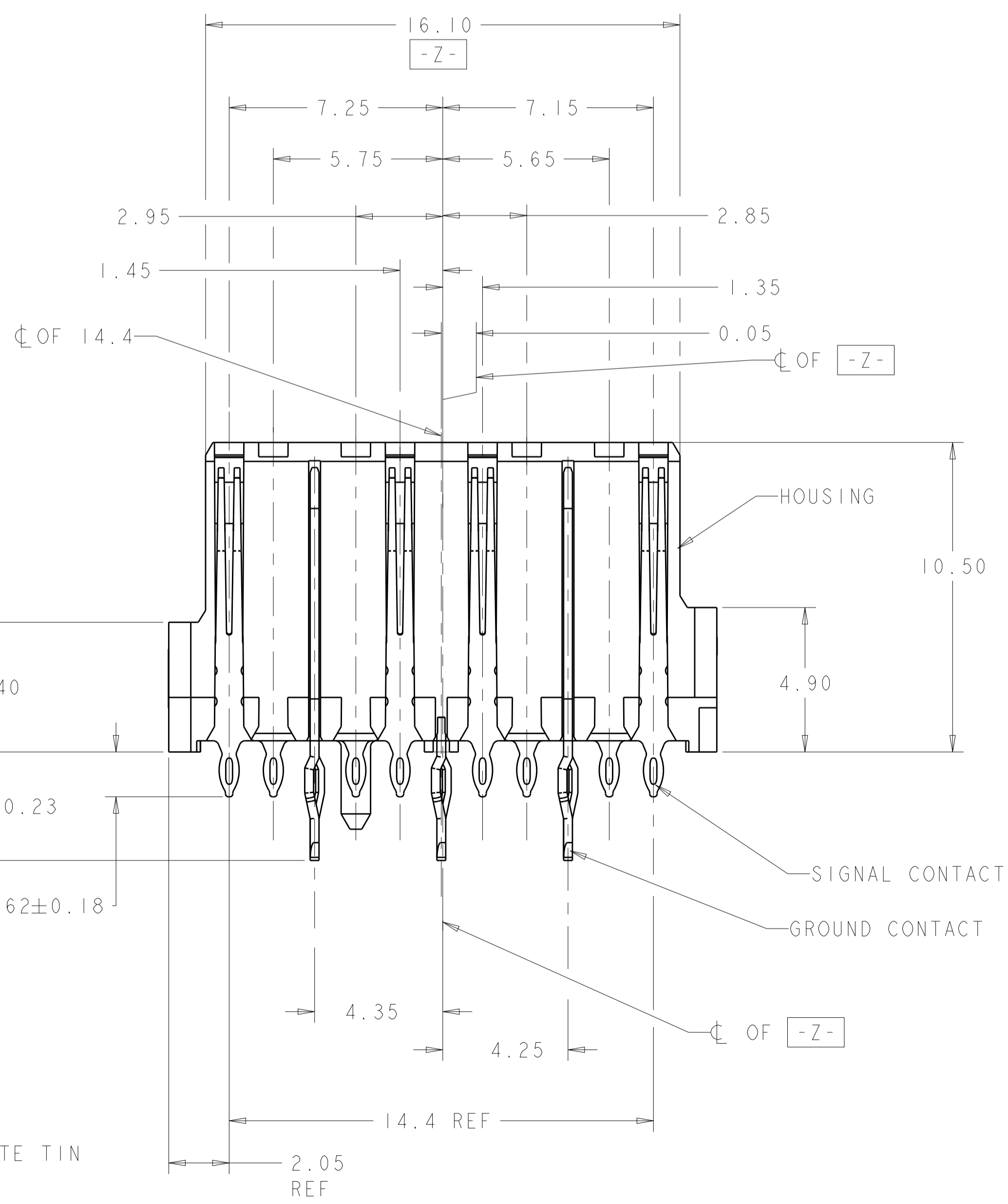


LOC		DIST		REVISIONS			
P	LTN	REV	PER	ECO	DATE	DWN	APVD
D		REV PER ECO	14-012106		8-7-14	CT	DH



PC BOARD FOOTPRINT
VIEWED FROM CONNECTOR SIDE
SCALE 5:1



- 1 HOUSING: LCP, UL94V-0, BLACK. CONTACT: PHOSPHOR BRONZE.
- 2 1.27 μm GOLD PER ASTM B 488 IN CONTACT AREA, 1.27 μm MIN TIN-LEAD ON PCB TAIL, OVER 1.27 μm MIN NICKEL PER SAE AMS-QQ-N-290 OVER ALL.
- 3 PLATE THROUGH HOLES PER TE SPEC. 114-13056, FIGURE 4.
- 4 1.27 μm GOLD PER ASTM B 488 IN CONTACT AREA, 1.27 μm MIN MATTE TIN PER ASTM B 545 ON PCB TAIL, OVER 3.81 μm MIN NICKEL PER SAE AMS-QQ-N-290 OVER ALL.

4	1410226-2
2	1410226-1
CONTACT TAIL/ HOLE FINISH	PART NO

THIS DRAWING IS A CONTROLLED DOCUMENT.		DWN: B. VAN SCOY	01OCT2001	 TE Connectivity
DIMENSIONS:		CHK: N. REESER	01OCT2001	
mm		APVD: D. DEBRAUGH	01OCT2001	
0 PLC ± 1 PLC ±0.5 2 PLC ±0.13 3 PLC ± 4 PLC ± ANGLES ±1°		PRODUCT SPEC: 108-2072	APPLICATION SPEC: 114-13056	
MATERIAL:		FINISH:	WEIGHT:	SIZE: A100779
				CAGE CODE: 1410226
				RESTRICTED TO: -
				SCALE: 8:1 SHEET: 1 OF 1 REV: D