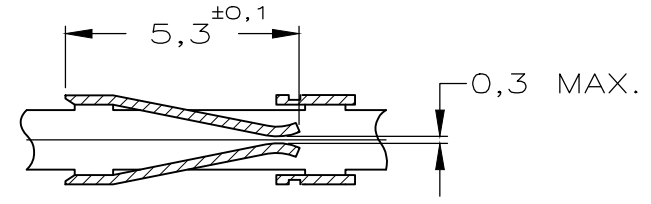
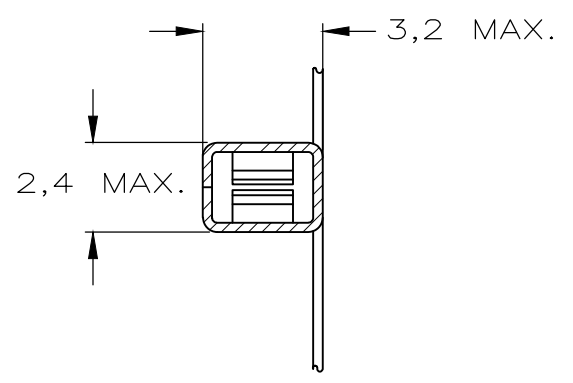
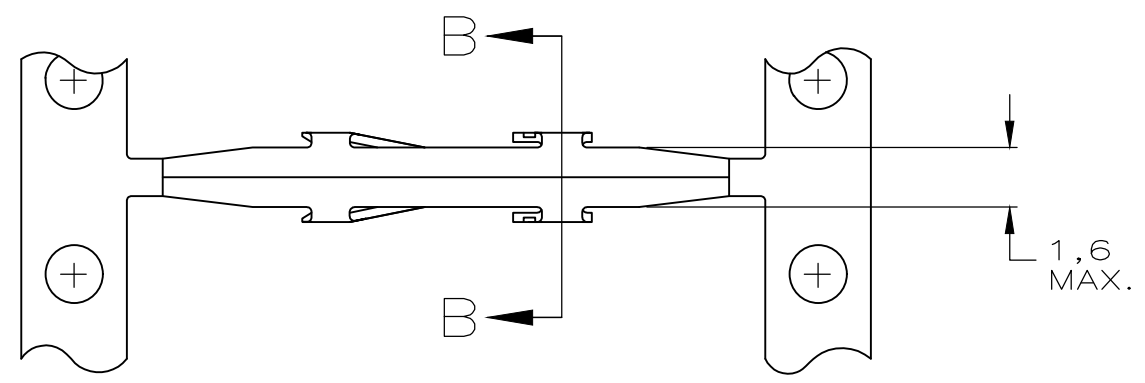


THIS DRAWING IS UNPUBLISHED. RELEASED FOR PUBLICATION
 © COPYRIGHT - TE Connectivity Ltd. ALL RIGHTS RESERVED.

REVISIONS				
P	LTR	DESCRIPTION	DATE	APVD
	J1	PART STATUS UPDATED	02APR2018	RK PS



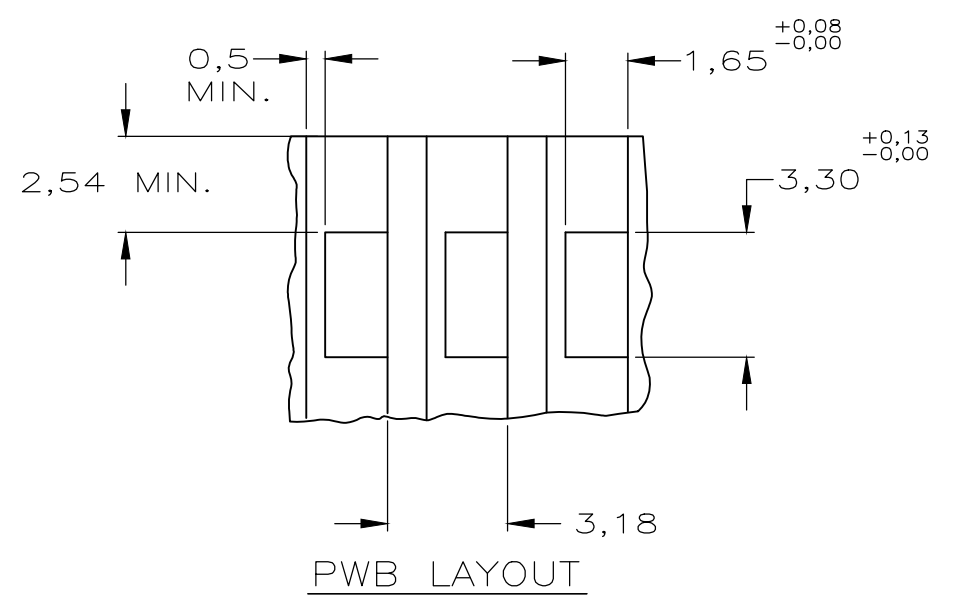
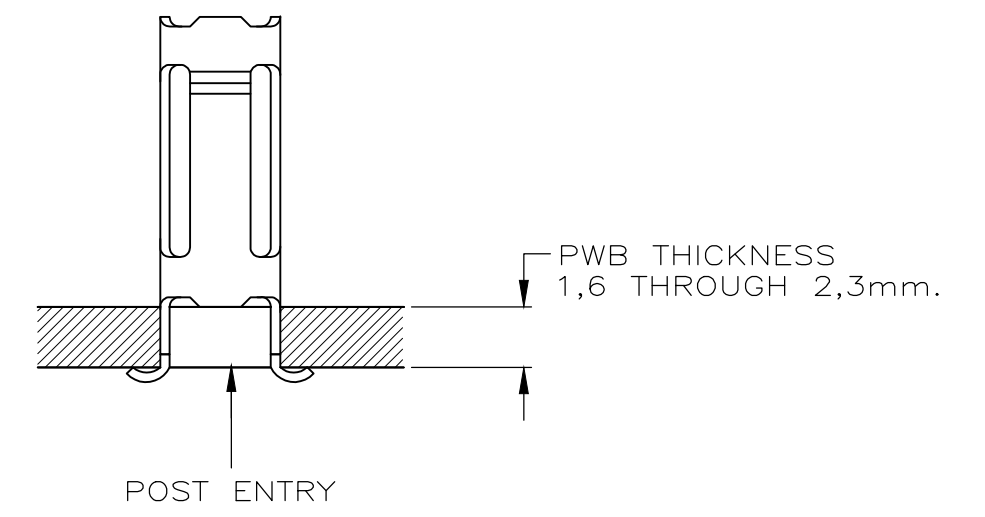
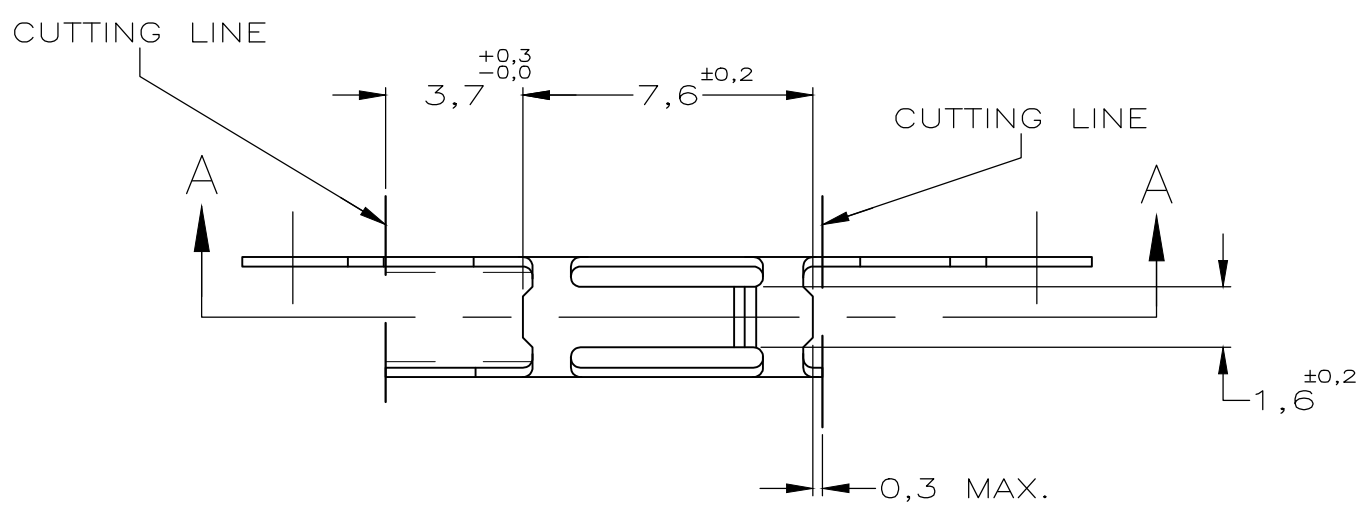
SECTION A-A



SECTION B-B

NOTES:

- 1 MATERIAL : PHOSPHOR BRONZE
- 2 4 μm TIN PLATED.
- 3 CONTACT ZONE 0,4 μm GOLD OVER NICKEL.
- 4 CONTACT ZONE 0,8 μm GOLD OVER NICKEL.
- 5 GOLD FLASH OVER ENTIRE TERMINAL.
- 6 0,8 μm PRETINNED ALL OVER WITH SOLDER REPELLENT STRIPE.



PWB LAYOUT

OBSOLETE	4 5	141002-4	141007-4
	3 5	141002-3	141007-3
	2	141002-2	141007-2
	FINISH	PARTNUMBER STRIP	PARTNUMBER L.P.

THIS DRAWING IS A CONTROLLED DOCUMENT.		DWN J.v.LIEMPT 08-11-90	TE Connectivity AMP MODU MODI FEMALE CONTACT BOTTOM ENTRY (TYPE A)			
DIMENSIONS: mm		CHK R.BROENS 16-03-93				
TOLERANCES UNLESS OTHERWISE SPECIFIED: ±0-2		APVD E.LEIJTENS 16-03-93				
0 PLC ± - 1 PLC ± - 2 PLC ± - 3 PLC ± - 4 PLC ± - ANGLES ± -		NAME				
MATERIAL -		FINISH -	PRODUCT SPEC -	APPLICATION SPEC -		
		WEIGHT	SIZE A3	CAGE CODE 00779	DRAWING NO C-141002	RESTRICTED TO -
CUSTOMER DRAWING			SCALE -	SHEET 1 OF 1	REV J1	