

THIS DRAWING IS UNPUBLISHED. RELEASED FOR PUBLICATION
 © COPYRIGHT BY TYCO ELECTRONICS CORPORATION. ALL RIGHTS RESERVED.

LOC	DIST	REVISIONS			
P	LTR	DESCRIPTION	DATE	DWN	APVD
HC	00	B	RELEASE PER ECO-09-016735	17Jul09	AM BOB

NOTES:

- DESIGNED FOR USE WITH TIMES LMR-240 CABLE
- CRIMP FERRULE TO A .255 HEX
- ASSEMBLE USING IS SHEET 408-8814

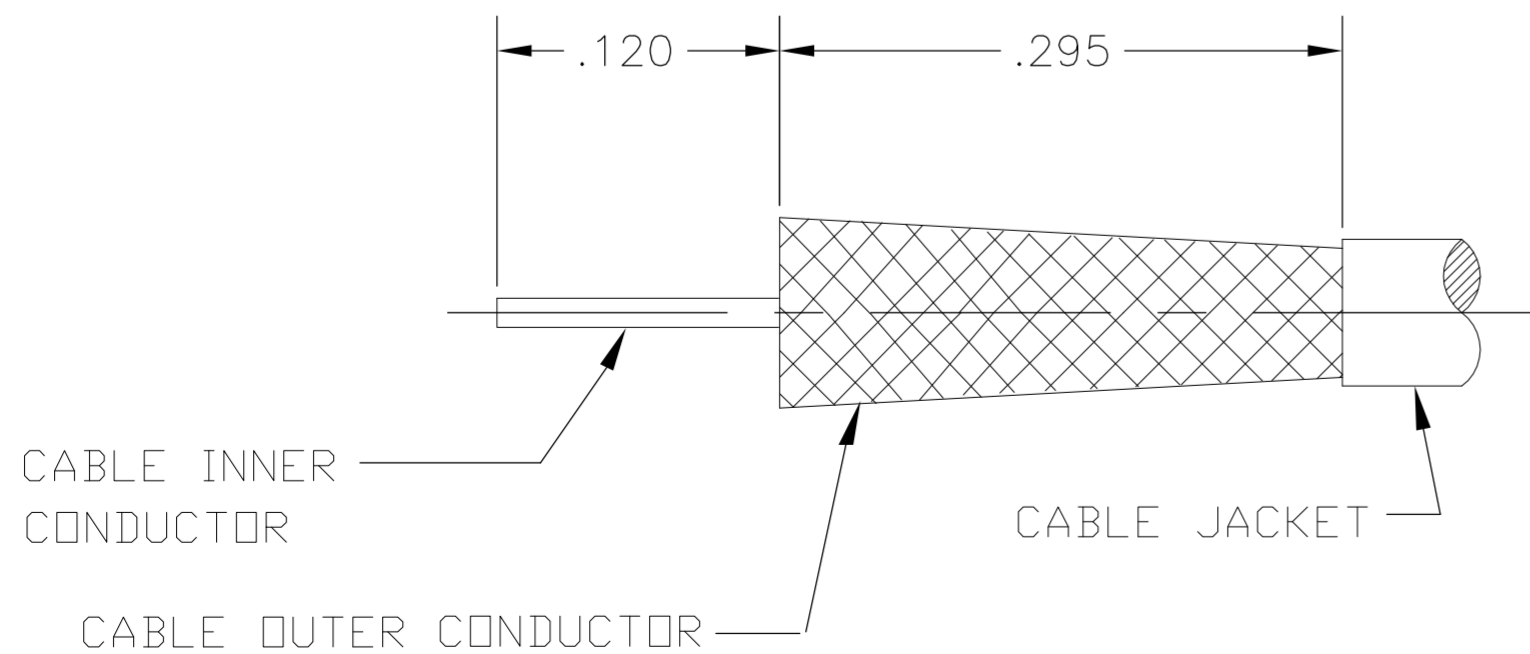
- ① BRASS
- ② STAINLESS STEEL
- ③ BERYLLIUM COPPER
- ④ PTFE
- ⑤ SILICONE RUBBER
- ⑥ GOLD PLATE
- ⑦ NICKEL PLATE
- ⑧ PASSIVATE
- ⑨ WHITE BRONZE

SMA PLUG

1.091 REF

.312 HEX

CABLE PREPARATION
 SCALE: NTS



① ⑦	⑤	④	① ⑥	③	① ⑦	1408442-3
① ⑦	⑤	④	① ⑥	③	② ⑧	1408442-1
FERRULE	GASKET	DIELECTRIC	CONTACT	RETAINING RING	HOUSING & COUPLING NUT	TE P/N

THIS DRAWING IS A CONTROLLED DOCUMENT.		DWN DCam	22AUG2002	Tyco Electronics Corporation Kunshan, Jiangsu, RPC215321		
DIMENSIONS: INCHES		TOLERANCES UNLESS OTHERWISE SPECIFIED:		NAME SMA STRAIGHT CABLE PLUG CRIMP ATTACHMENT		
① PLC ± -		0 PLC ± -		PRODUCT SPEC 108-1574		
② PLC ± -		1 PLC ± -		APPLICATION SPEC 408-8814		
③ PLC ± .005		2 PLC ± -		SIZE A2	CAGE CODE 00779	DRAWING NO 1408442
④ PLC ± -		3 PLC ± .005		RESTRICTED TO		
ANGLES ± 1		4 PLC ± -		SCALE 10:1		
MATERIAL		FINISH		SHEET 1 OF 1		
-		-		REV B		
CUSTOMER DRAWING						