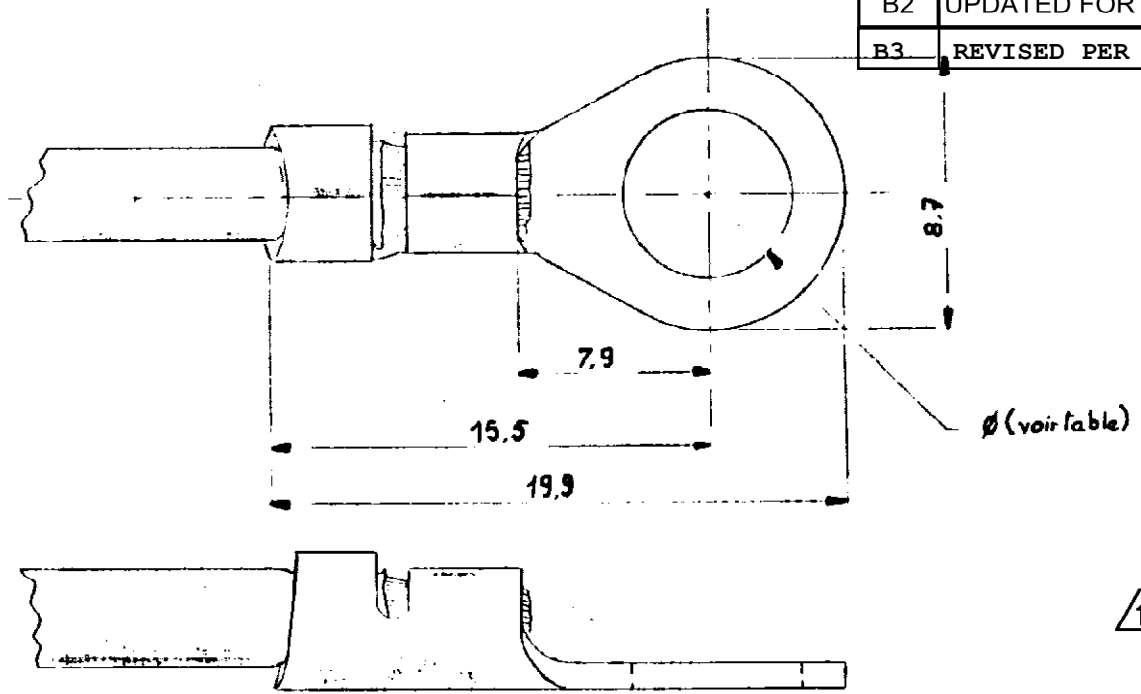


NUMBER
C-140527-32

DIMENSIONS IN MM -DO NOT SCALE PRINT

REV	REVISION RECORD	DATE	DR	CHK
B1	REVISED PER ECO-09-026346	23JAN10	KK	HMR
B2	UPDATED FOR OBSOLESCENCE	02NOV11	PKS	RRP
B3	REVISED PER ECO-14-014631	13OCT14	MD	DL



△	OBSOLETE	140854-2	A2	6,75
	OBSOLETE	140854-1	A	6,75
	OBSOLETE	140 546	A2	6,35
	OBSOLETE	140 545	A	6,35
	OBSOLETE	140 532	A2	5,2
	OBSOLETE	140 537	A	5,2
	OBSOLETE	140 530	A2	4,8
	OBSOLETE	140 529	A	4,8
	OBSOLETE	140 528	A2	3,1
	OBSOLETE	140 527	A	3,1
		N°	MAT	"D"

A - LAITON
A2 - LAITON ETAME

NOTE:

△ OBSOLETE PARTS: OBSOLETE CIS STREAMLINING PER D.RENAUD/D.SINISI

CUSTOMER PRINT FOR REFERENCE ONLY	REQUIRED PER ASSEMBLY									DWG SIZE	NUMBER	NAME	REMARKS	ITEM NO.
	©1959 BY TE INCORPORATED. ALL RIGHTS RESERVED. TE PRODUCTS COVERED BY PATENTS AND/OR PATENTS PENDING.													
MATERIAL Laiton epaisseur 0,6mm										HEAT TREAT		FINISH		
		DR. Raymond 12-7-60		DATE APP.		DATE REL.		DATE FIRST USED		DATE		DIFF. 16		
TE Connectivity		TYPE Auto.		PRINT DIST		LOC		SIZE A		NUMBER C-140527-32		REV B3		
SCALE		WIRE SIZE		MM ⁴		NAME		RING TONGUE						
		18-14		MAX 2										
				MIN. 0,8										
DESCRIPTION														