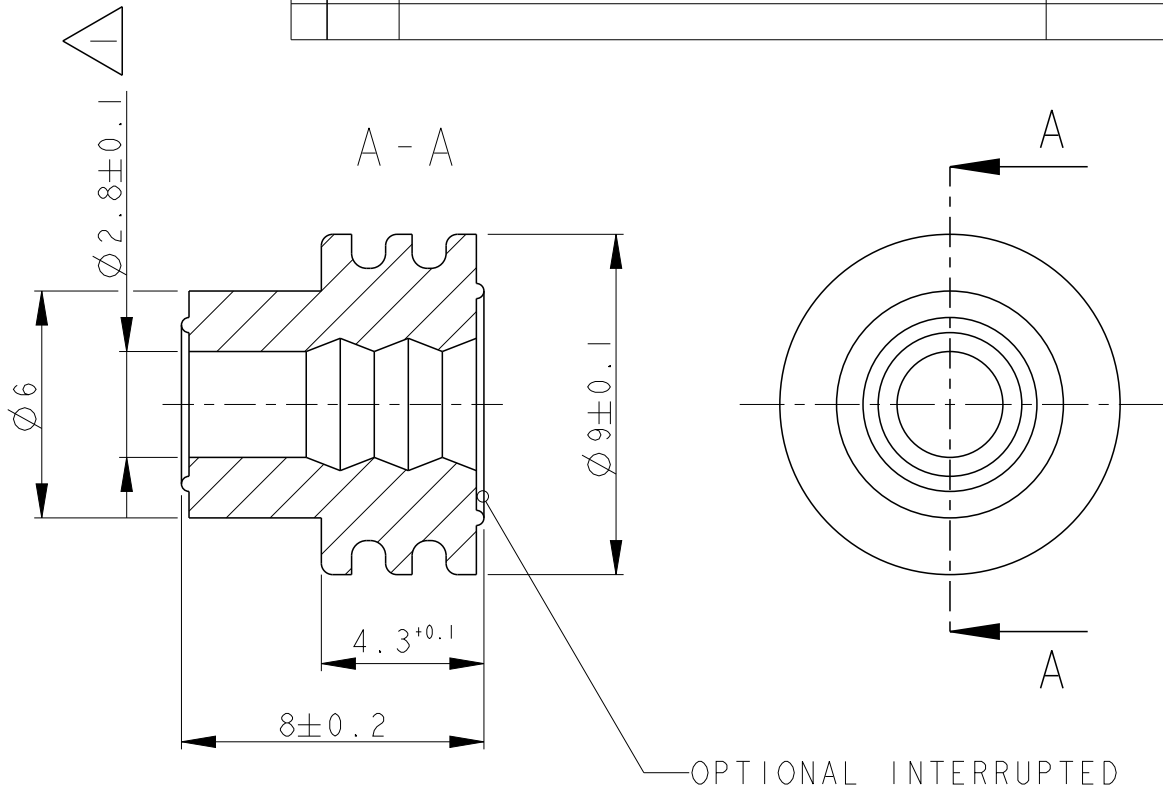

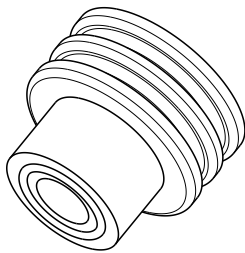


| REVISIONS |     |                         |           |           |
|-----------|-----|-------------------------|-----------|-----------|
| P         | LTR | DESCRIPTION             | DATE      | APVD      |
|           | A3  | REVISED (ECR-15-003702) | 09MAR2015 | M.G. M.G. |
|           |     |                         |           |           |
|           |     |                         |           |           |




**DEDICATED FOR INSULATION DIA:**  
 3.4-3.7mm (FLR CABLE - WIRE SIZE 4.0mm<sup>2</sup>)  
 3.4-3.74mm (ALUMINIUM WIRE ONLY - WIRE SIZE 4mm<sup>2</sup>)  
**SEALING FOR STANDARD-POWER-TIMER, AMP MCP6.3/4.8K AND 5.8mm TAB**



|       |  |           |
|-------|--|-----------|
| BLUE  | SILICONE 50° SHORE A INHERENTLY LUBRICATED | 1394512-1 |
| COLOR | MATERIAL                                   | PART Nr.  |

2000  
 RELEASED FOR PUBLICATION  
 ALL RIGHTS RESERVED.  
 BY -  
 COPYRIGHT 2000  
 THIS DRAWING IS UNPUBLISHED.

|  |   |   |  |
|--|---|---|--|
| DIMENSIONS:<br>mm<br><br>TOLERANCES UNLESS OTHERWISE SPECIFIED:<br>0 PLC ±0.2<br>1 PLC ±0.2<br>2 PLC ±<br>3 PLC ±-<br>4 PLC ±-<br>ANGLES ±1° | DWN R. Schaefer 19OCT2000<br>CHK U. Muenk 19OCT2000<br>APVD -<br>PRODUCT SPEC -<br>APPLICATION SPEC -<br>WEIGHT 0.25 gr | MATERIAL SEE TABLE<br>FINISH SEE TABLE<br>NAME SINGLE WIRE SEAL<br>SIZE A4<br>CAGE CODE -<br>DRAWING NO C-1394512 | RESTRICTED TO -<br>SCALE 5:1<br>SHEET 1 OF 1<br>REV A3 |
|  | Customer Drawing  |   |  |