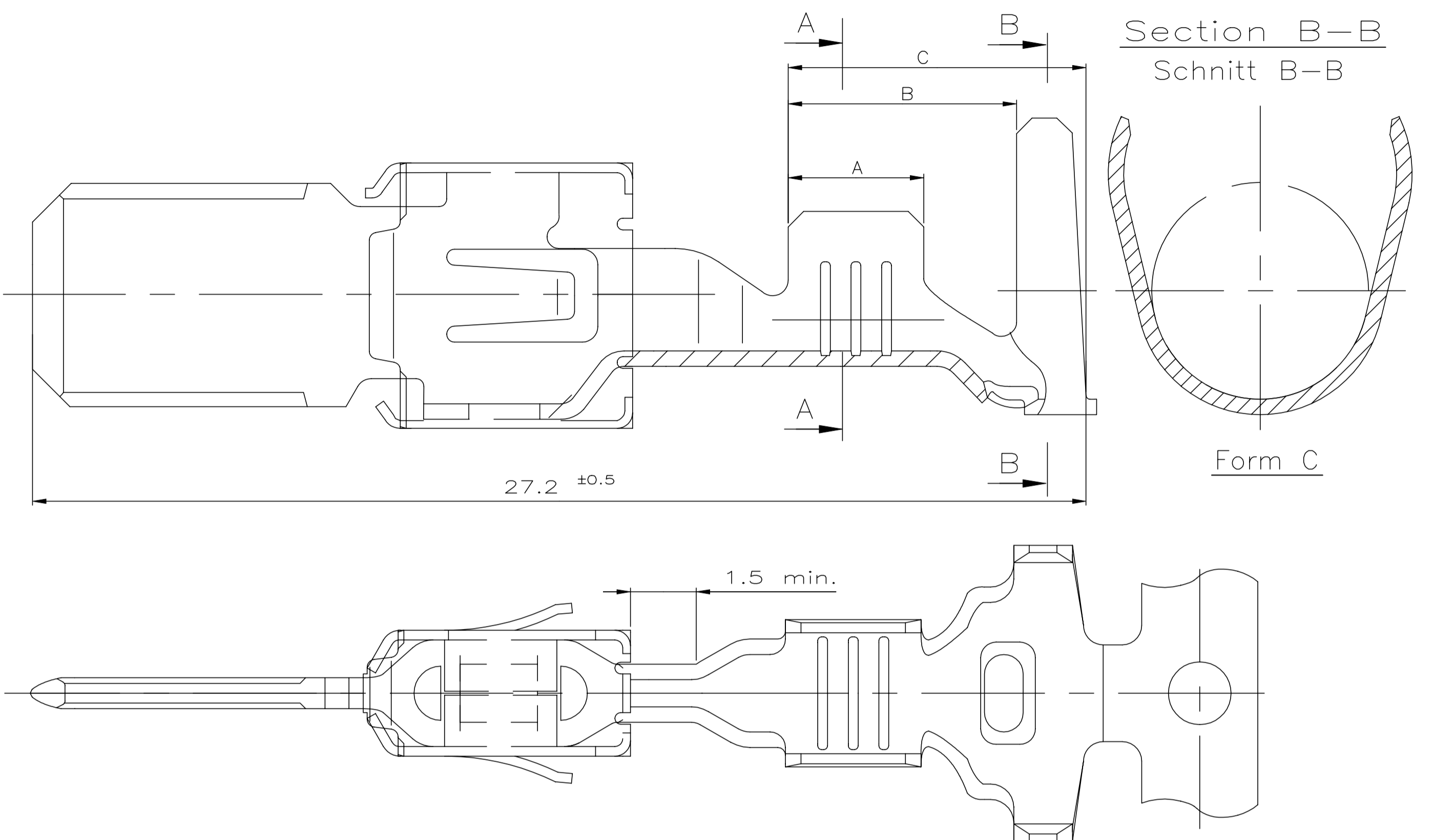
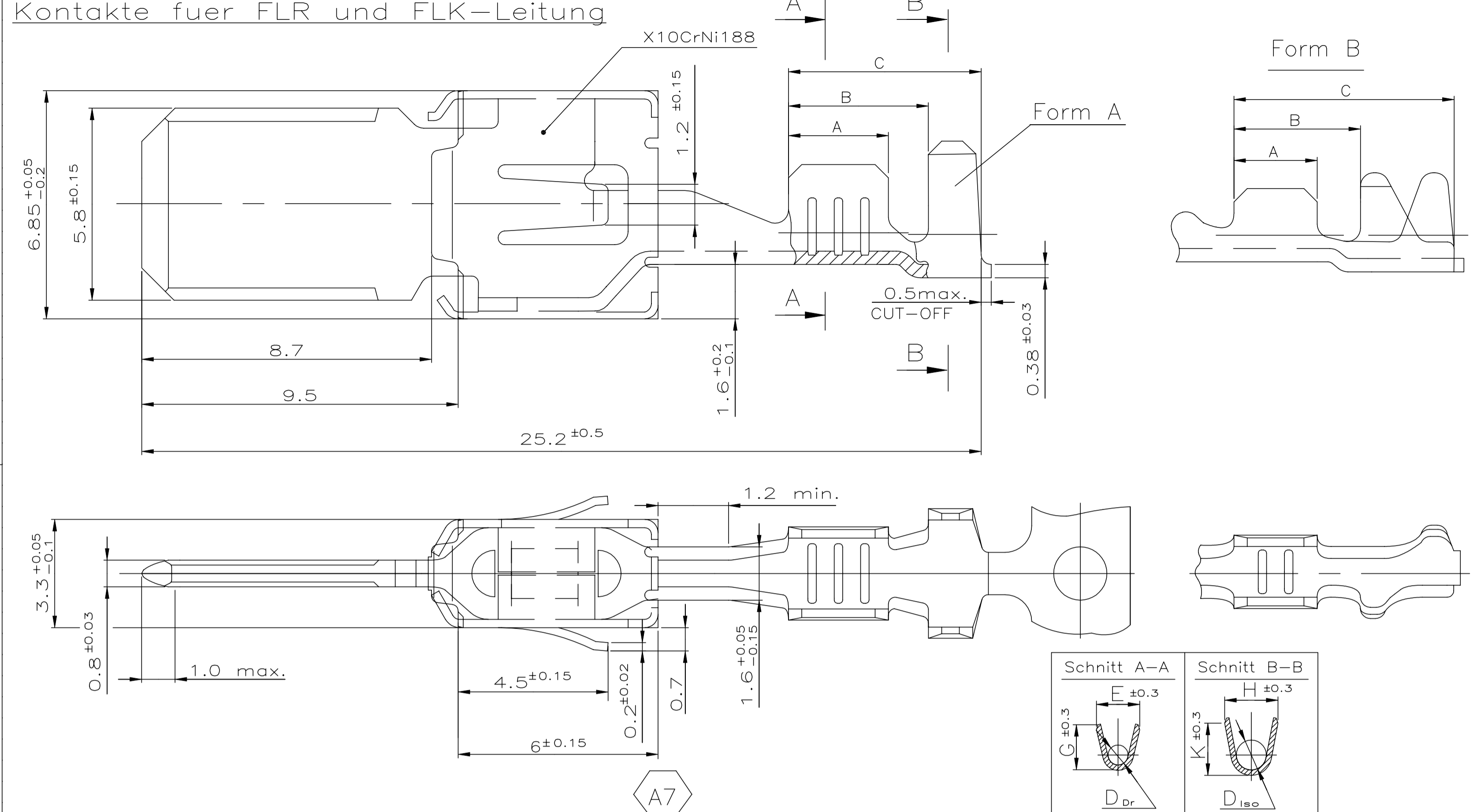


CONTACTS FOR FLR AND FLK-CABLE
 Kontakte fuer FLR und FLK-Leitung

Contacts for
 Single Wire Sealing System: FLR-and FLK-Cable
 Kontakte für Einzel-Dichtung-System: FLR- und FLK-Leitung

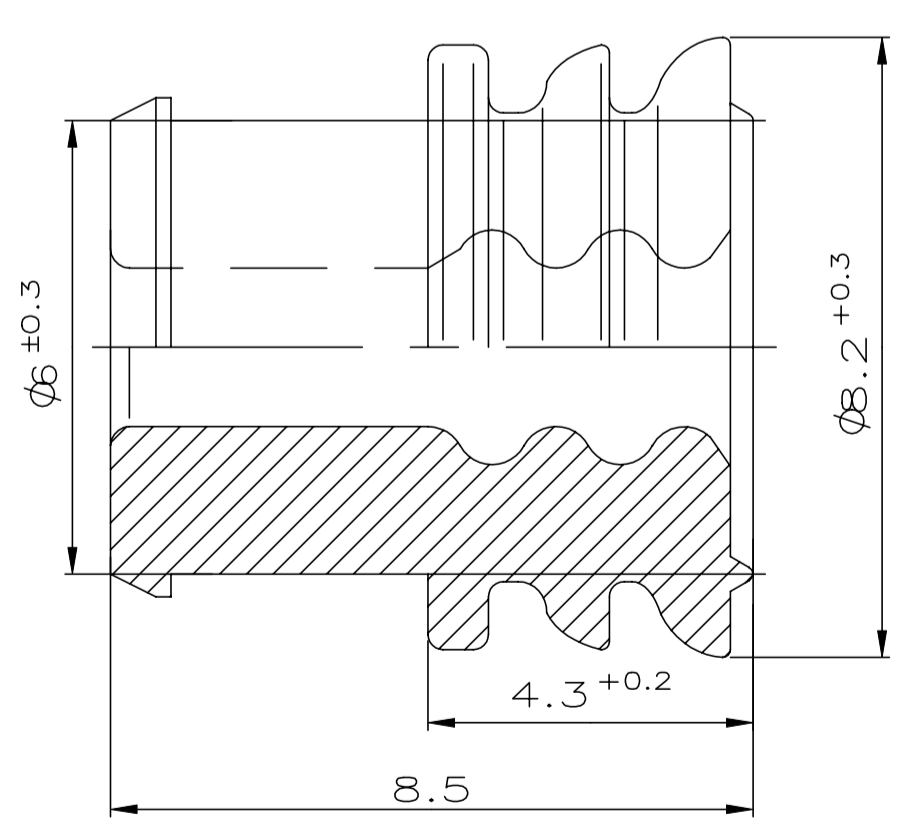


Order No. BESTELL-NR.	Rev.	Order No. BESTELL-NR. Loose piece Einzelausführung	Wire Range Drahtgroessen Bereich (mm²)	Insulation Ø Isolations Ø (mm)	Anzahl Serrations Amount of Serrations	Material Werkstoff	Surface Oberflaeche	Lenght Laenge	Wire crimp Drahtcrimp	Insul.crimp Iso'crimp	
2-964314-2	A	-	>2.5-4.0	3.4-4.5	4	CuFe 2	vorverzinnt	A = 4.0 B = 5.9 C = 7.7	E = 4.6 G = 4.8 D _{cr} = 2.4	H = 8.0 K = 8.0 D _{iso} = 6.0	system
964314-1	B	-	-	2	-	CuFe 2	vorverzinnt	-	-	Form C	EDS
2-964312-2	A	-	>1.0-2.5	2.2-3.7	3	CuFe 2	vorverzinnt	A = 3.5 B = 5.9 C = 7.7	E = 3.8 G = 4.0 D _{cr} = 1.7	H = 8.0 K = 8.0 D _{iso} = 5.7	Single wire sealing
964312-1	B	964311-1	-	2	-	CuFe 2	vorverzinnt	-	-	Form C	EDS
2-964310-2	A	-	0.5-1.0	1.4-2.7	3	CuFe 2	vorverzinnt	A = 3.0 B = 5.4 C = 7.2	E = 2.8 G = 3.0 D _{cr} = 1.1	H = 7.7 K = 7.7 D _{iso} = 5.5	Single wire sealing
964310-1	B	964309-1	-	2	-	CuFe 2	vorverzinnt	-	-	Form C	EDS
964308-1	A	964307-1	-	3.3-4.5	4	CuFe 2	vorverzinnt	A = 4.0 B = 5.2 C = 6.8	E = 4.6 G = 4.8 D _{cr} = 2.4	H = 6.4 K = 6.7 D _{iso} = 4.0	FLR/FLK
964306-3	A	964305-3	-	2.2-3.0	3	CuSn 4	3	A = 3.5 B = 4.7 C = 6.3	E = 3.8 G = 4.0 D _{cr} = 1.7	H = 4.7 K = 4.9 D _{iso} = 2.6	FLR/FLK
964306-1	A	964305-1	>1.0-2.5	2.2-3.0	3	CuFe 2	vorverzinnt	-	-	Form A	Leitung
964304-1	A	964303-1	0.5-1.0	1.4-2.1	3	CuFe 2	vorverzinnt	A = 3.0 B = 4.2 C = 5.8	E = 2.8 G = 3.0 D _{cr} = 1.1	H = 3.9 K = 4.1 D _{iso} = 1.8	Cable / Leitung
969007-1	A	969008-1	0.2-0.5	1.15-1.6	2	CuFe 2	vorverzinnt	A = 2.5 B = 3.8 C = 6.6	E = 2.2 G = 2.2 D _{cr} = 0.8	H = 3.1 K = 3.1 D _{iso} = 1.4	FLR - Cable

Notes
 Bemerkungen

- 1 According insulation diameter is to choose the single wire seal
 Entsprechend dem Isolationsdurchmesser ist die Einzel-Dichtung auszuwaehlen
- 2 More specific customer seal existing
 Weitere kundenspezifische Einzeldichtung vorhanden
- 3 Body Electro Tin Plated over Nickel 0.2µm min.
 Contact Area Selective Gold over Nickel 0.8µm min.
 Wire Crimp Area Electro Tin Plated over Nickel 1µm min.
 Kontaktkoerper gal. verzinnt ueber Nickel 0.2µm min.
 Kontaktzone selektiv vergoldet ueber Nickel 0.8µm min.
 Drahtcrimpbereich gal. verzinnt ueber Nickel 1µm min.
- 4 Contact Area min. 3µm Pre-silver plated
 Kontaktzone min. 3µm vorversilbert

Single Wire Seal Einzel-Dichtung		
963245-1	3.3-3.7	yellow gelb
963244-1	2.0-3.0	white weiß
963243-1	1.15-2.1	blue blau
ORDER NO. BESTELL-NR.	Insulation Ø Isolations Ø	Colour Farbe



THIS DRAWING IS NOT SUBJECT TO CONSTANT CHANGING SERVICE AND DOES NOT LAY CLAIM TO BE COMPLETE. FOR DEFINITE SPECIFICATION SEE RESPECTIVE TE CONNECTIVITY CUSTOMER DRAWINGS. FURTHER VERSIONS ON INQUIRY.

THIS DRAWING IS A CONTROLLED DOCUMENT. DIESE ZEICHNUNG IST EIN KONTROLLIERTES DOKUMENT.

DIMENSIONS: MASSENHEITEN mm
 TOLERANCES: UNLESS OTHERWISE SPECIFIED: ALLGEMEIN TOLERANZEN

0 PLC ± -
 1 PLC ± 0.2
 2 PLC ± -
 3 PLC ± -
 4 PLC ± -
 ANGLES/WINKEL ± -
 FINISH/OBERFLAECHEN/FARBE

DWN Abraham G. 230CT2001
 OK Meierhofer, T. 230CT2001

PRODUCT SPEC: 103-18064
 APPLICATION SPEC: 114-18052

WEIGHT: 0.000000
 CUSTOMER DRAWING / KUNDENZEICHNUNG

SCALE: 0:1
 SHEET: 1 OF 1
 REV: A7

STE TE Connectivity
 PRODUCT GROUP DRAWING TAB 5,8x0,8-TYPE A
 Produktgruppenzeichnung Flachstecker
 5,8x0,8-Typ A

SIZE: A1
 CAGE CODE: 00779
 DRAWING NO.: 1394011
 ZEICHNUNGS-NR.

RESTRICTED TO NUR FÜR