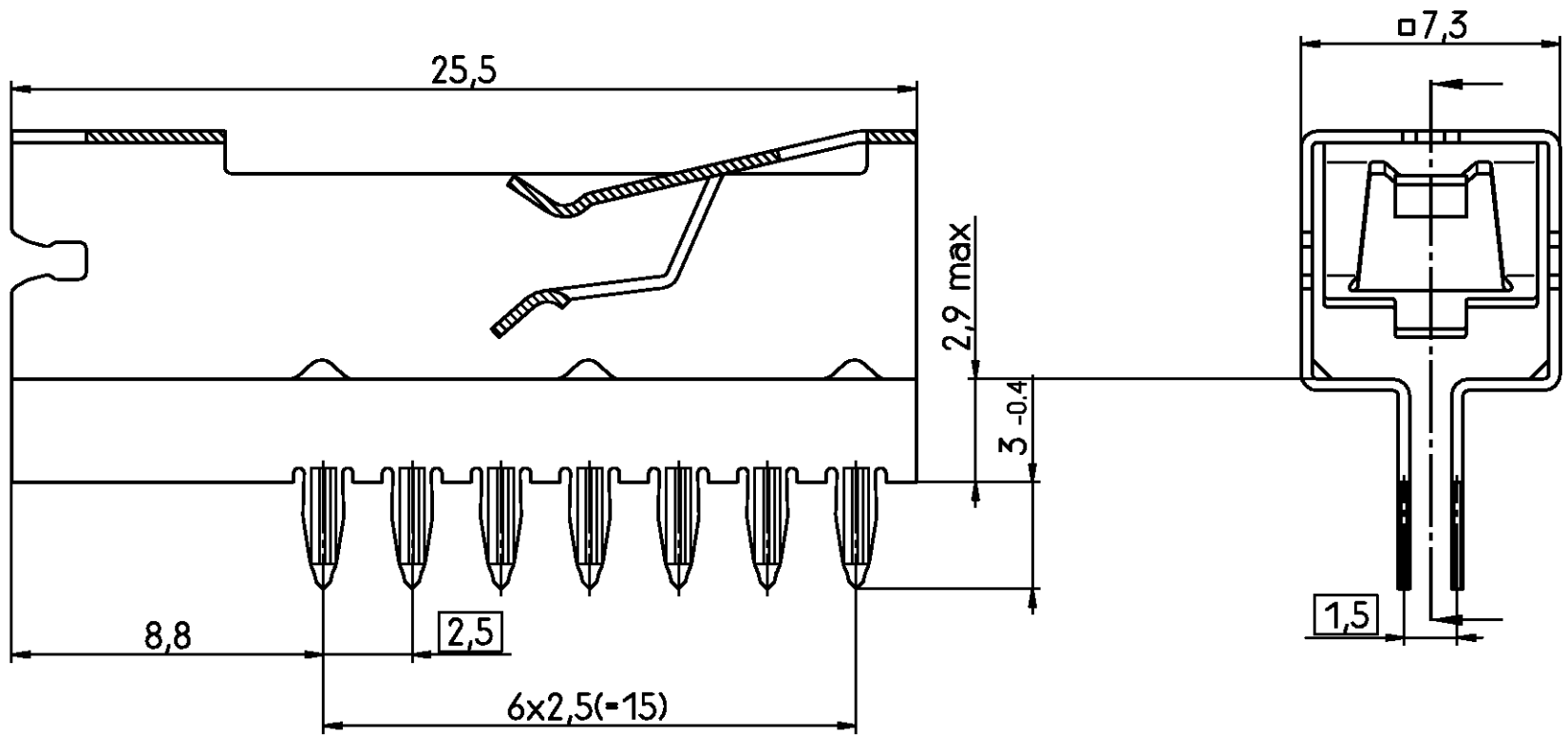


THIS INFORMATION IS CONFIDENTIAL AND PROPRIETARY TO TYCO ELECTRONICS CORPORATION AND ITS WORLDWIDE SUBSIDIARIES AND AFFILIATES. IT MAY NOT BE DISCLOSED TO ANYONE, OTHER THAN TYCO ELECTRONICS PERSONNEL, WITHOUT WRITTEN AUTHORIZATION FROM TYCO ELECTRONICS CORPORATION, HARRISBURG-PENNSYLVANIA USA

PROPRIETARY:



Sachnummer	Verpackungseinheit (=Mindestbestellmenge)
-Z191	pro 50 Stck./pcs.
-Z192	pro 500 Stck./pcs.
Part-number	Packagingunit (=minimum order)

Codierungsübersicht siehe
 Einbauanleitung V23552-A1000-Z***-*-7428
 Codingsurvey see Mountinginstructions
 V23552-A1000-Z***-*-7428

Active part numbers. Contact Tyco Electronics for other configuration availability

Old Part Number	Tyco Part Number
V23552-A8000-Z191	0-1393702-4 obsolete
V23552-A8000-Z192	0-1393702-5

tyco TYCO ELECTRONICS CORPORATION		SCALE 10:1		WEIGHT	
OOSTKAMP - BELGIUM		DIMENSIONS IN MM		MATERIAL	
DATE 06.09.96		PART NAME		SHT. 1-	
NAME Vanbesien		Maßbild: Codierbox			
DEP. EC CS CI PD COM		Dimensional Drawing: Coding Box			
A1	OU60-0156-00	20.12.00	DP	PART NO. V23552-A8000-Z19*-*-7427	
A	WO 00/7008	16.06.00	VS	TOLERANCE UNLESS SPECIFIED OTHERWISE	
01		06.09.96	Vb		
REV.	CHANGE ORDER	DATE	APP.	Customer Drawing Nr. C 1393702-4	
				OF 1	