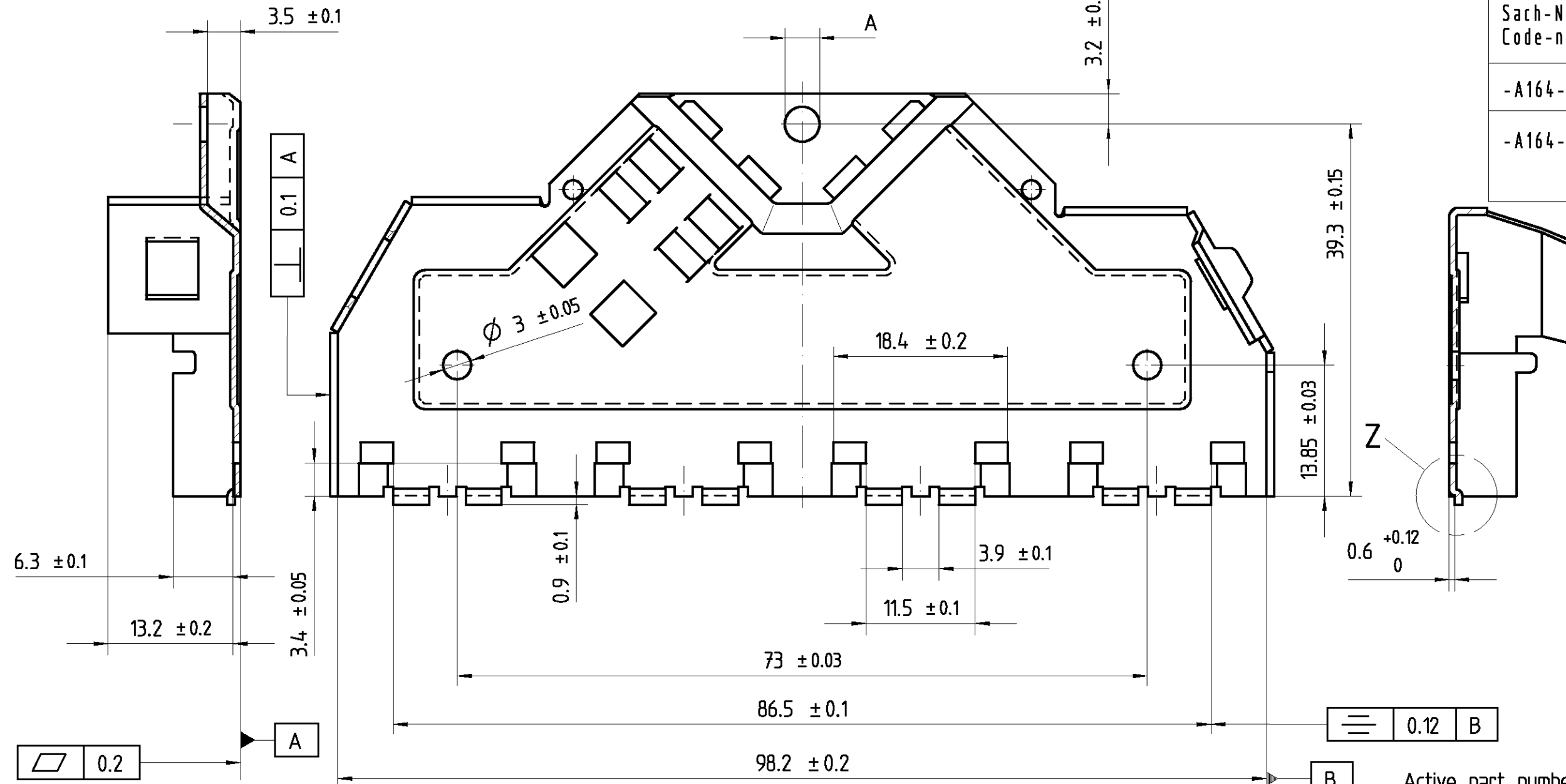


PROPRIETARY: THIS INFORMATION IS CONFIDENTIAL AND PROPRIETARY TO TYCO ELECTRONICS CORPORATION AND ITS WORLDWIDE SUBSIDIARIES AND AFFILIATES. IT MAY NOT BE DISCLOSED TO ANYONE, OTHER THAN TYCO ELECTRONICS PERSONNEL, WITHOUT WRITTEN AUTHORIZATION FROM TYCO ELECTRONICS CORPORATION, HARRISBURG, PENNSYLVANIA USA.



Sach-Nr. Code-no.	Mass A Dim. A
-A164-C3	3.7 +0.1
-A164-C4	2.75 -0.05 Blechdurchzug Burred hole

0.2

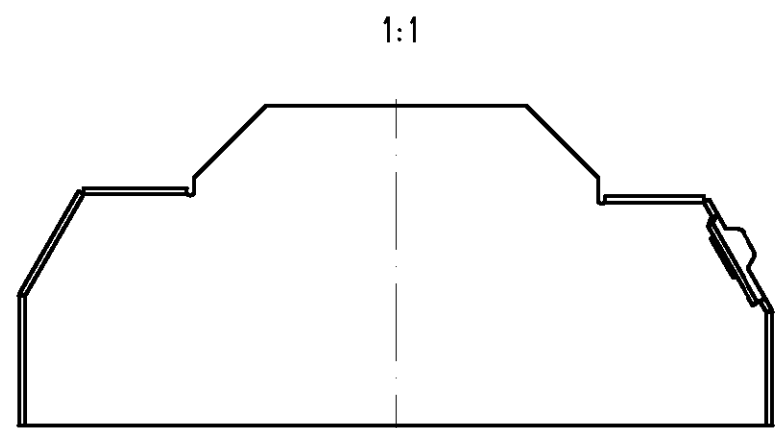
A

0.12 B

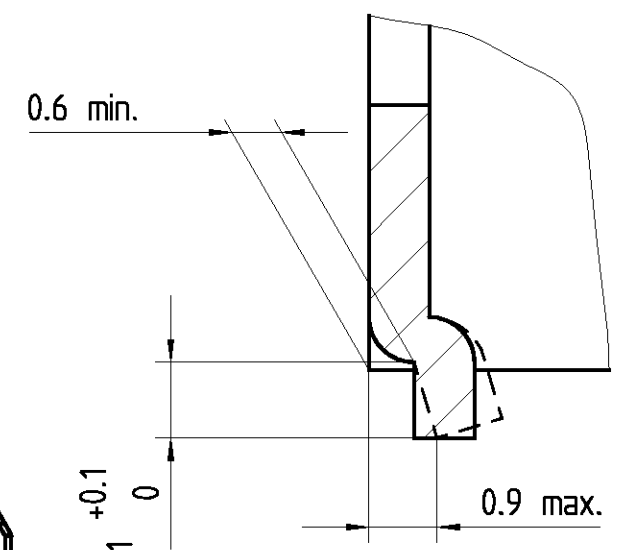
B

Active part numbers. Contact Tyco Electronics for other configuration availability

Old Part Number	Tyco Part Number
C39228-A164-C3	1393613-7
C39228-A164-C4	1393613-8



1:1



Z  
10:1

Diese Ausführung ist zulässig.  
This version is permitted.

APPLICABLE SPEC.:				FINISH			
<b>tyco</b> Tyco Electronics Corporation Oostkamp - Belgium <b>Electronics</b>				DIMENSIONS APPLY		PLATING	
				SCALE 2:1 1:1 10:1		WEIGHT	
MATERIAL MU St4 LG GK oder/or CuNi18Zn20				NAME Massbild Schirmblech (4SU) Simplified drawing screening plate (4SU)			
DATE 14.11.95 NAME C14 AW DEP. EC CS CI PD				NO. C39228-A164-C3-7427			
TOLERANCE UNLESS SPECIFIED OTHERWISE				SHT. 1 OF 1			
REV. CHANGE ORDER DATE APP.				CUSTOMER DRAWING No.: C 1393613-7 OF 1			

A	WO 00/7010	19.6.00	Vb
4	WS99/020	21.1.99	Ack
3		4.12.98	MFu
2	H288C14A74	28.11.96	C14
1	F33C14A00	29.11.95	C14