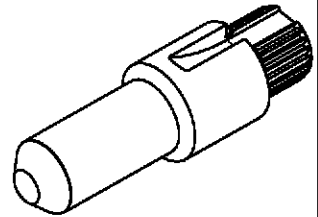
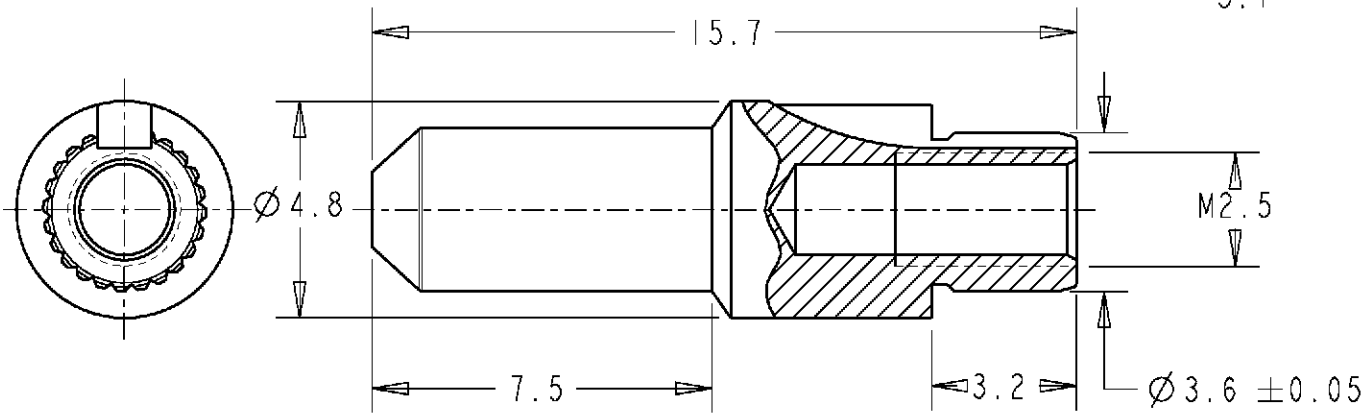


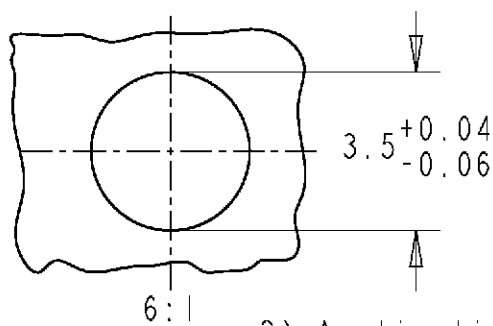
LOC	DIST	REVISIONS			
P	LTR	DESCRIPTION	DATE	DWN	APVD
GW	-	A	-	26APR2001	BL KM



3:1

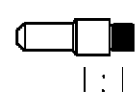


Recommended PCB layout.
thickness : 3.2 mm



- 2) Application : z-pack 2 mm HM male connectors.
- 1) All dimensions are max unless otherwise specified.

Cross reference table			
Old part number	Tyco part number	Material	Plating
V23648-A11-D2	1393590-2	Brass	1 µm Au or Pd in contact area



1:1

DIMENSIONS: mm	DWN B. Lenvain	26APR2001	MATERIAL	-	FINISH	-
	CHK K. Mattheeuws	26APR2001	Tyco Electronics Oostkamp - Belgium			
TOLERANCES UNLESS OTHERWISE SPECIFIED:	APVD R. Leeman	26APR2001				
0 PLC ±	PRODUCT SPEC	-	NAME	Contact plug		
1 PLC ±	APPLICATION SPEC	-	SIZE	CAGE CODE	DRAWING NO	RESTRICTED TO
2 PLC ±			A4	00779	©=1393590-2	-
3 PLC ±	WEIGHT	-	CUSTOMER DRAWING			SCALE
4 PLC ±						6/1
ANGLES ±						SHEET
						1
						OF
						1
						REV
						A

2000

RELEASED FOR PUBLICATION

THIS DRAWING IS UNPUBLISHED.

BY TYCO ELECTRONICS CORPORATION. ALL RIGHTS RESERVED.

© COPYRIGHT 2000