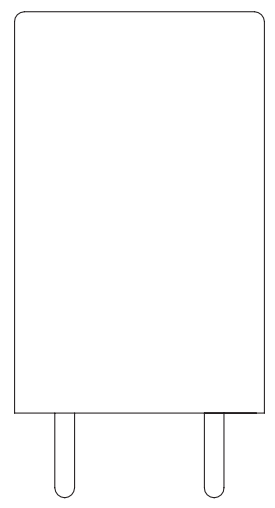
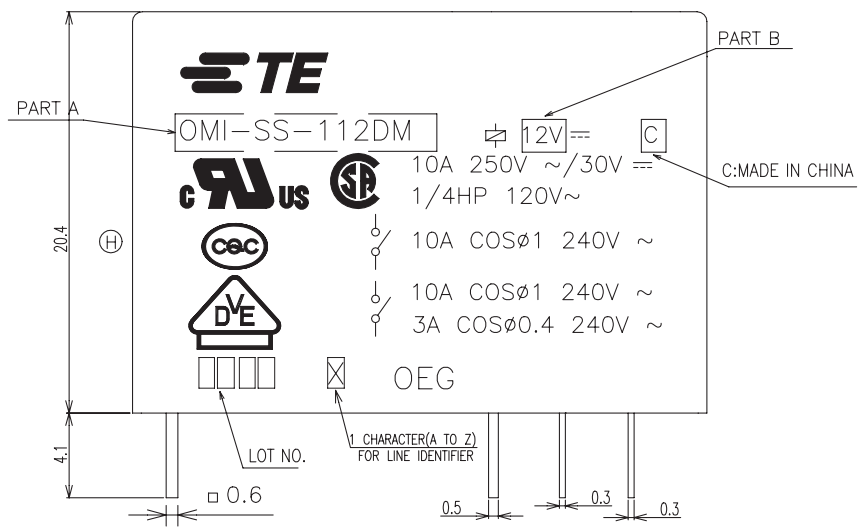
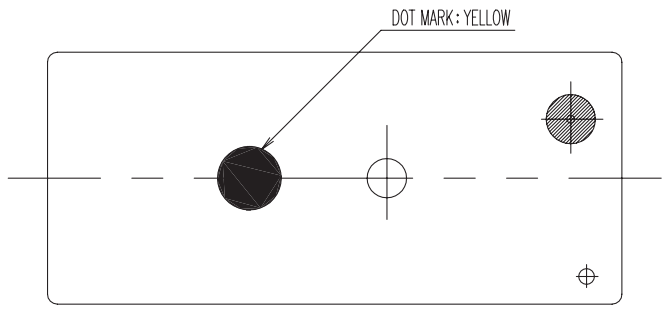


THIS DRAWING IS UNPUBLISHED. RELEASED FOR PUBLICATION
 © COPYRIGHT - By - ALL RIGHTS RESERVED.

LOC	DIST	REVISIONS				
P	LTR	DESCRIPTION	DATE	DWN	APVD	
HB	-	BASE MATERIAL CHANGE TO PBT, DIMENSION CHANGE, CANCEL SEMKO MARK.	ECN-21-117512	08-SEP-21	XR.L	K.T



NOTES:
 1. -SH-: WASHABLE TYPE
 2. LOT NO. SYSTEM AS FOLLOWING:
 0625 WEEK YEAR

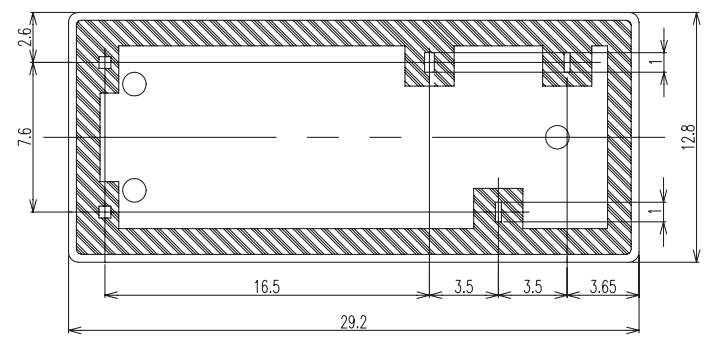
3. GENERAL TOLERANCE AS FOLLOWING:

TOLERANCE	
0~0.99mm	±0.1
1mm~2.99mm	±0.2
3mm MIN.	±0.3

4. TERMINAL DIMENSION IS NOT INCLUDING SOLDER TIP.
 5. FOR THE TIN-PLATING OF THE PINS:
 +0.1mm FOR WIDTH, THICKNESS AND DIAMETER.
 +0.5mm FOR LENGTH.

TE PART NO	DESCRIPTION	PART B	PART A	ITEM
1-1419122-2	OMI-SH-124L	24V	OMI-SH-124L	c
1419122-4	OMI-SH-112L	12V	OMI-SH-112L	b
1393171-1	OMI-SH-112D	12V	OMI-SH-112D	a

RELAY TYPE



THIS DRAWING IS A CONTROLLED DOCUMENT.		DWN K.Komuro	TE Connectivity OMI-SH-D/L SPEC,094 CUSTOMER DRAWING				
DIMENSIONS: mm		CHK K.Komuro				NAME	
TOLERANCES UNLESS OTHERWISE SPECIFIED:		APVD K.Komuro	PRODUCT SPEC	SIZE	CAGE CODE	DRAWING NO	RESTRICTED TO
0 PLC ±- 1 PLC ±- 2 PLC ±- 3 PLC ±- 4 PLC ±- ANGLES ±- FINISH		APPLICATION SPEC	WEIGHT	A3	00779	C=1393171-1	-
MATERIAL		CUSTOMER DRAWING	SCALE	1:1	SHEET	1 OF 2	REV

4

3

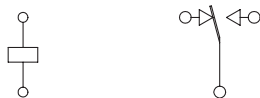
2

1

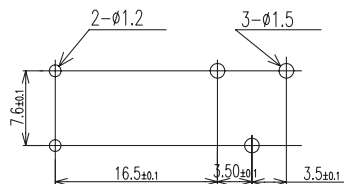
THIS DRAWING IS UNPUBLISHED. RELEASED FOR PUBLICATION - - - .
 © COPYRIGHT - By - ALL RIGHTS RESERVED.

LOC	DIST	REVISIONS					
HB	-	P	LTR	DESCRIPTION	DATE	DWN	APVD

CONNECTION DIAGRAM
(BOTTOM VIEW)



DRILLING DIAGRAM(2/1)
(BOTTOM VIEW)



		UV RESIN	UV SEAL	17
		EPOXY RESIN	SEAL	16
UL94 V-0		PBT	CASE	15
CLASS E		UEW	MAGNETIC WIRE	14
UL94 V-0		PBT (H)	BASE	13
UL94 V-0		PBT	BOBBIN	12
	SOLDER DIP	CP WIRE	COIL TERMINAL	11
UL94 V-0		PPS	CARD	10
		Ag ALLOY	MOVABLE CONTACT	9
		Ag ALLOY	STATIONARY CONTACT	8
		Cu ALLOY	HINGE SPRING	7
	SOLDER DIP	Cu ALLOY	B TERMINAL	6
	SOLDER DIP	Cu ALLOY	M TERMINAL	5
	SOLDER DIP	Cu ALLOY	MOVABLE SPRING	4
		STEEL	CORE	3
		STEEL	ARMATURE	2
		STEEL	YOKE	1
INCOMBUSTIBILITY	TREATMENT	MATERIAL	DESCRIPTION	ITEM

THIS DRAWING IS A CONTROLLED DOCUMENT.		DWN K.Komuro	TE Connectivity OMI-SH-D/L SPEC,094 CUSTOMER DRAWING		
DIMENSIONS: mm		CHK K.Komuro			
TOLERANCES UNLESS OTHERWISE SPECIFIED:		APVD K.Komuro	NAME		
0 PLC ±- 1 PLC ±- 2 PLC ±- 3 PLC ±- 4 PLC ±- ANGLES ±- FINISH		PRODUCT SPEC -	DRAWING NO		
MATERIAL		APPLICATION SPEC -	SIZE A3	CAGE CODE 00779	RESTRICTED TO -
		WEIGHT -	DRAWING NO C=1393171-1		
CUSTOMER DRAWING			SCALE 1:1	SHEET 2 of 2	REV H