

LOC	DIST	REVISIONS				
P	LTR	DESCRIPTION	DATE	DWN	APVD	
A	00	J1	SEE PRODUCT DRAWING	-	-	


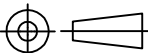
SEE PRODUCTION DRAWING
1385161

RELEASED FOR PUBLICATION

ALL RIGHTS RESERVED.

THIS DRAWING IS UNPUBLISHED.

© COPYRIGHT - - By -

DIMENSIONS: INCHES	DWN	M.YOUNGER	23MAY2011	MATERIAL	-	FINISH	-	
	CHK	M.YOUNGER	23MAY2011	 TE Connectivity				
TOLERANCES UNLESS OTHERWISE SPECIFIED:	APVD	M.YOUNGER	23MAY2011					
0 PLC ± -	PRODUCT SPEC			NAME				
1 PLC ± -	-			SIDE FEED HDM APPLICATOR				
2 PLC ± -	APPLICATION SPEC			SIZE	CAGE CODE	DRAWING NO	RESTRICTED TO	
3 PLC ± -	-			A4	00779	1385161	-	
4 PLC ± -	WEIGHT			SCALE				
ANGLES ± -	-			1:1		SHEET 1 OF 1		
				CUSTOMER DRAWING				REV J1