

LOC	DIST	F	REV	DESCRIPTION	DATE	DWN	APP
		F	00				
		A		RELEASE	20SEP2005	AB	XR
		B		See bubbles B	11OCT2005	AB	XR
		C		See bubbles C	27JAN2006	AB	XR

MARQUAGE MATIERE DU PORTE MODULE
SHIELD HOUSING MATERIAL

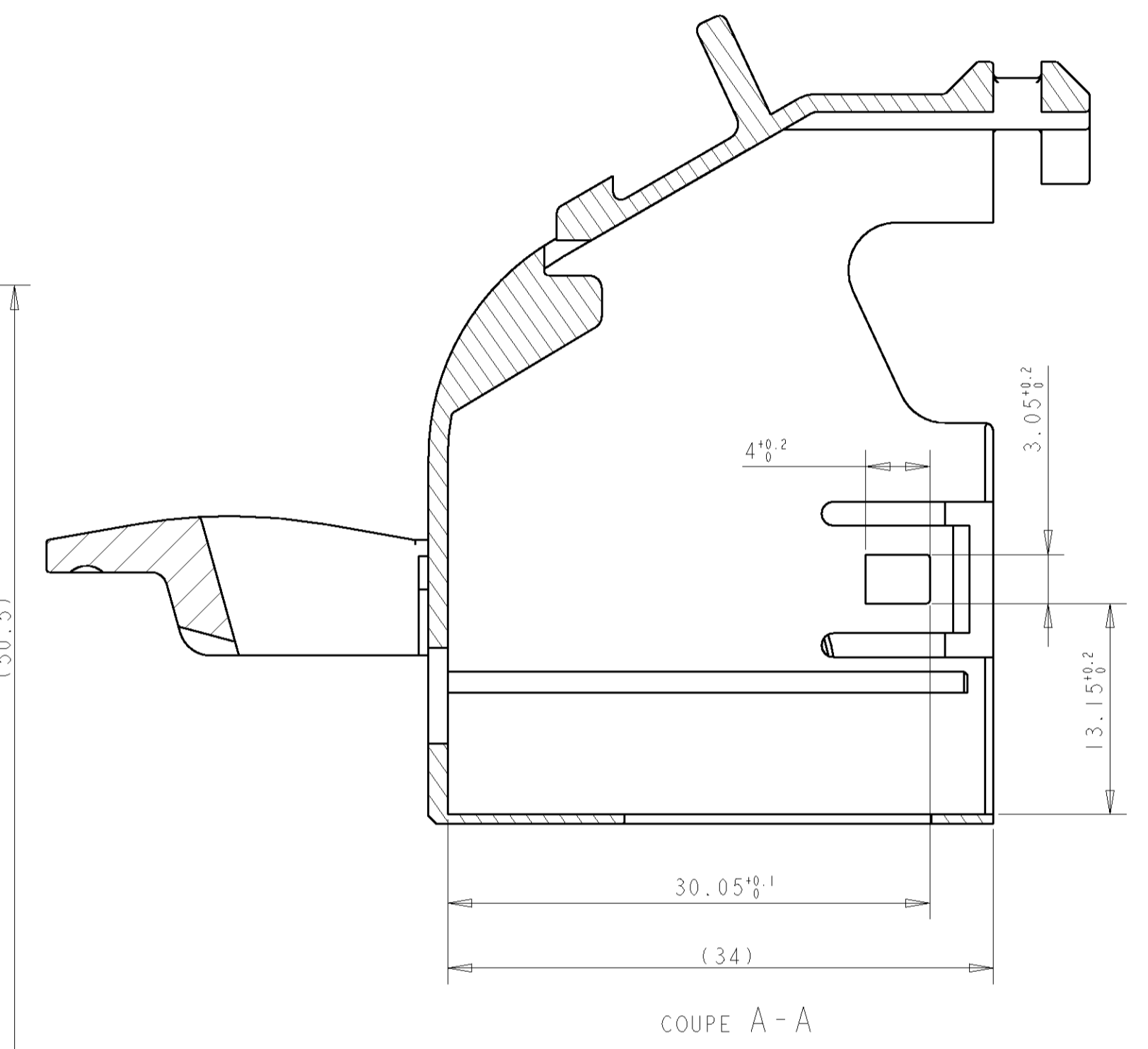
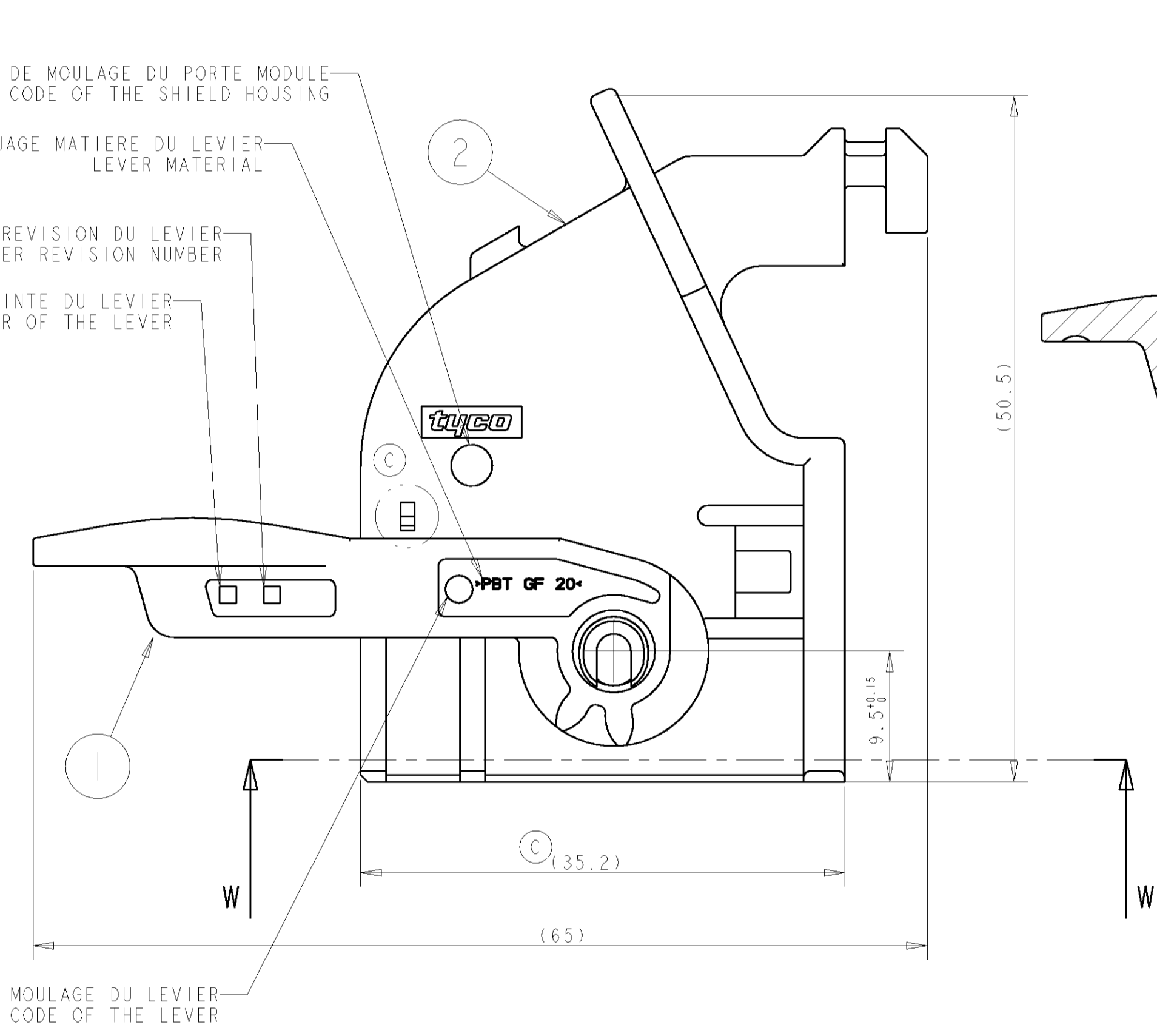
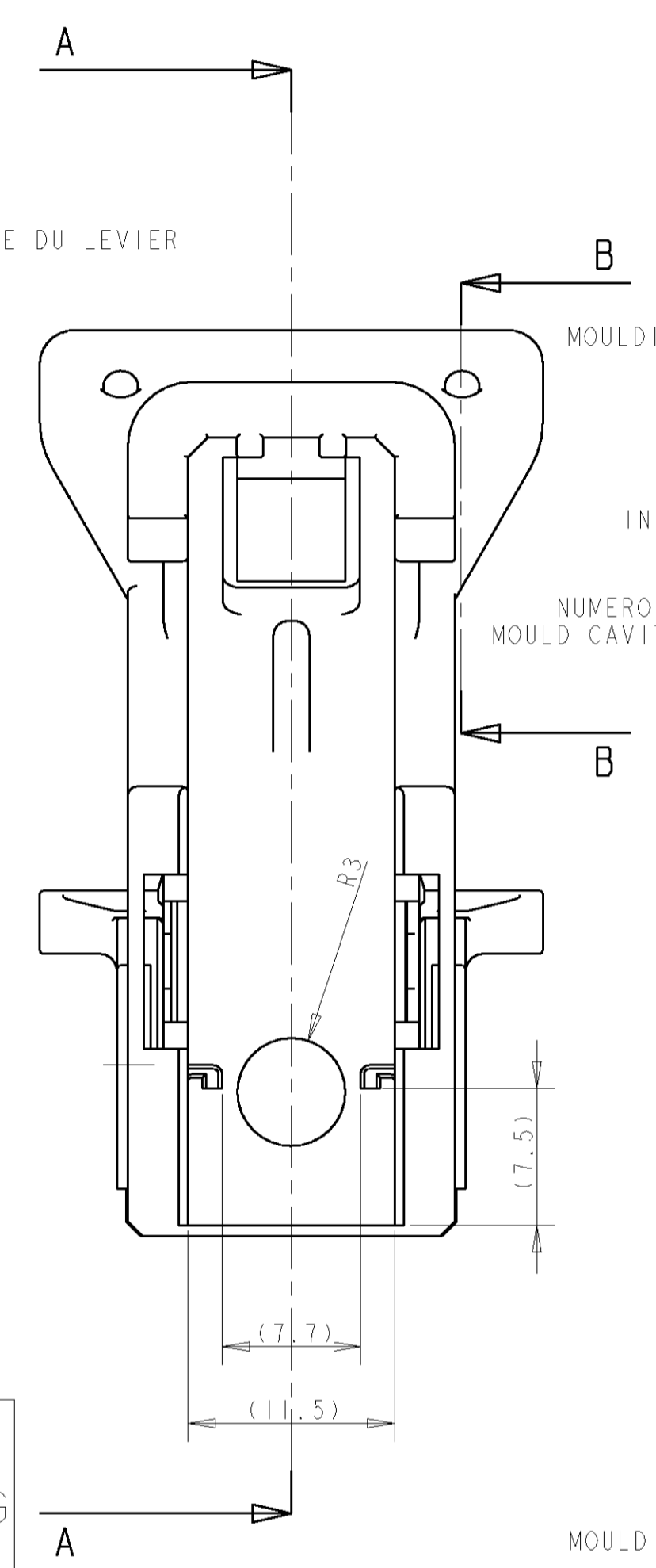
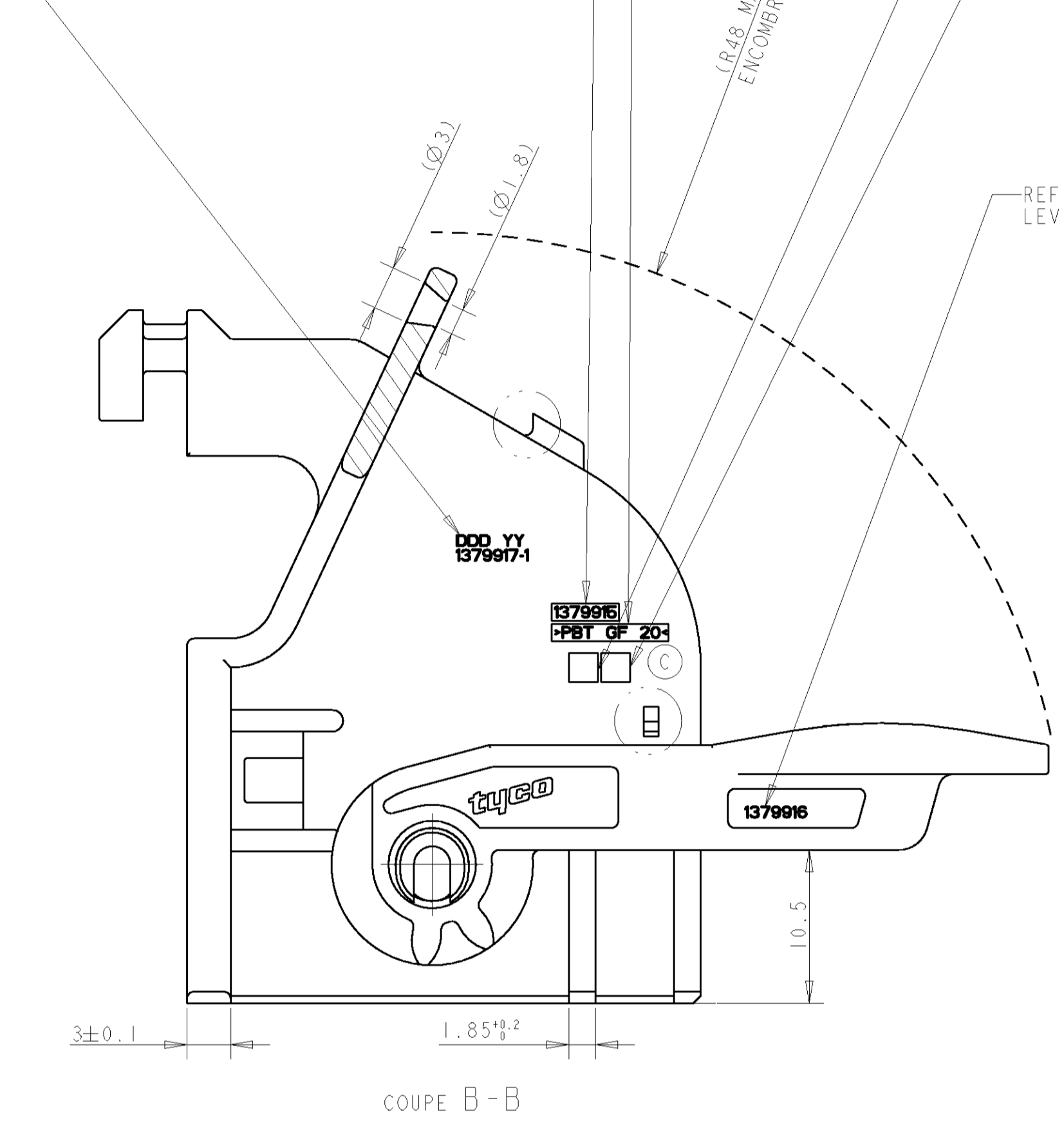
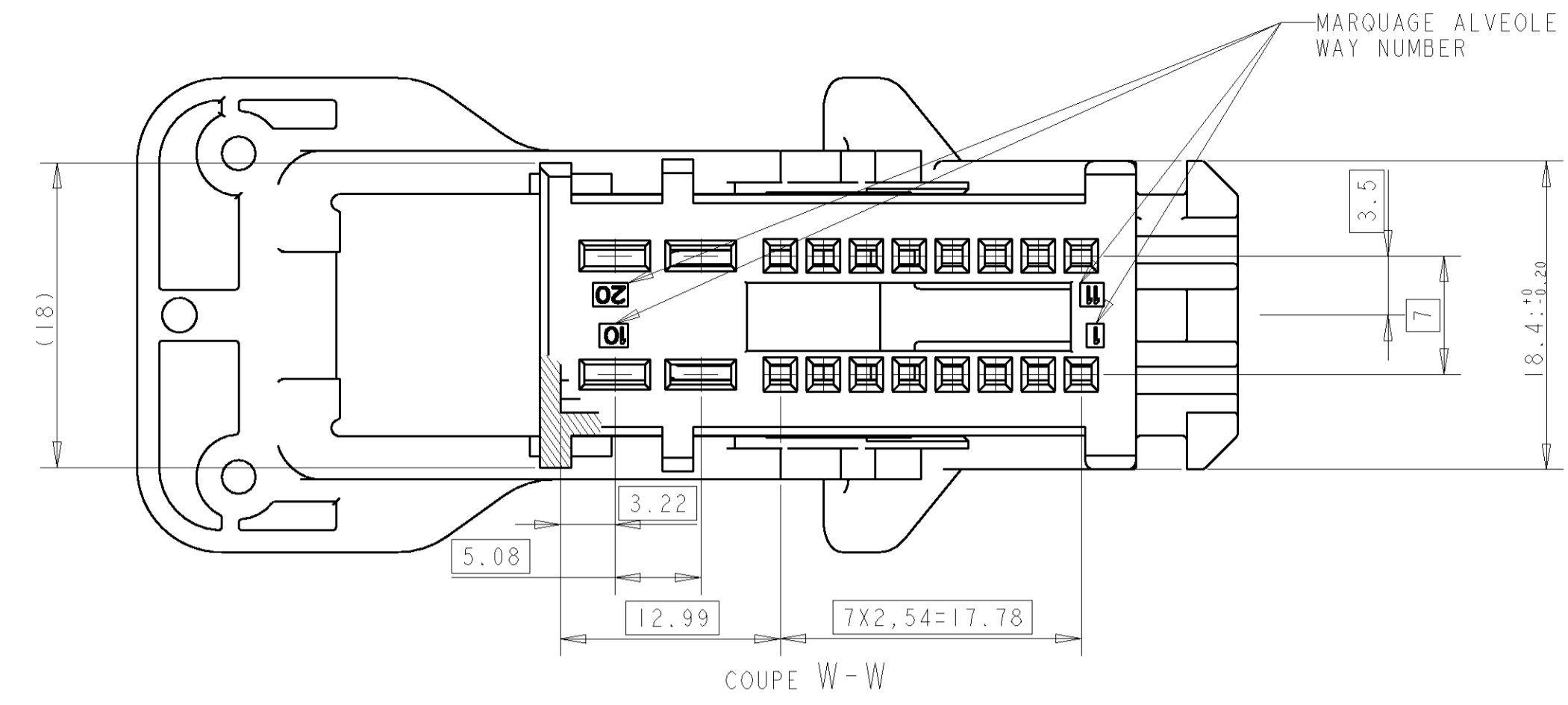
REFERENCE TYCO DU PORTE MODULE
SHIELD HOUSING PN

DATE D'ASSEMBLAGE + REFERENCE ASSEMBLAGE
ASSY DATE + ASSY PN

(R48 MAXI) ENCOMBREMENT DU LEVIER

NUMERO D'EMPREINTE DU PORTE MODULE
SHIELD HOUSING CAVITY MOLD NUMBER

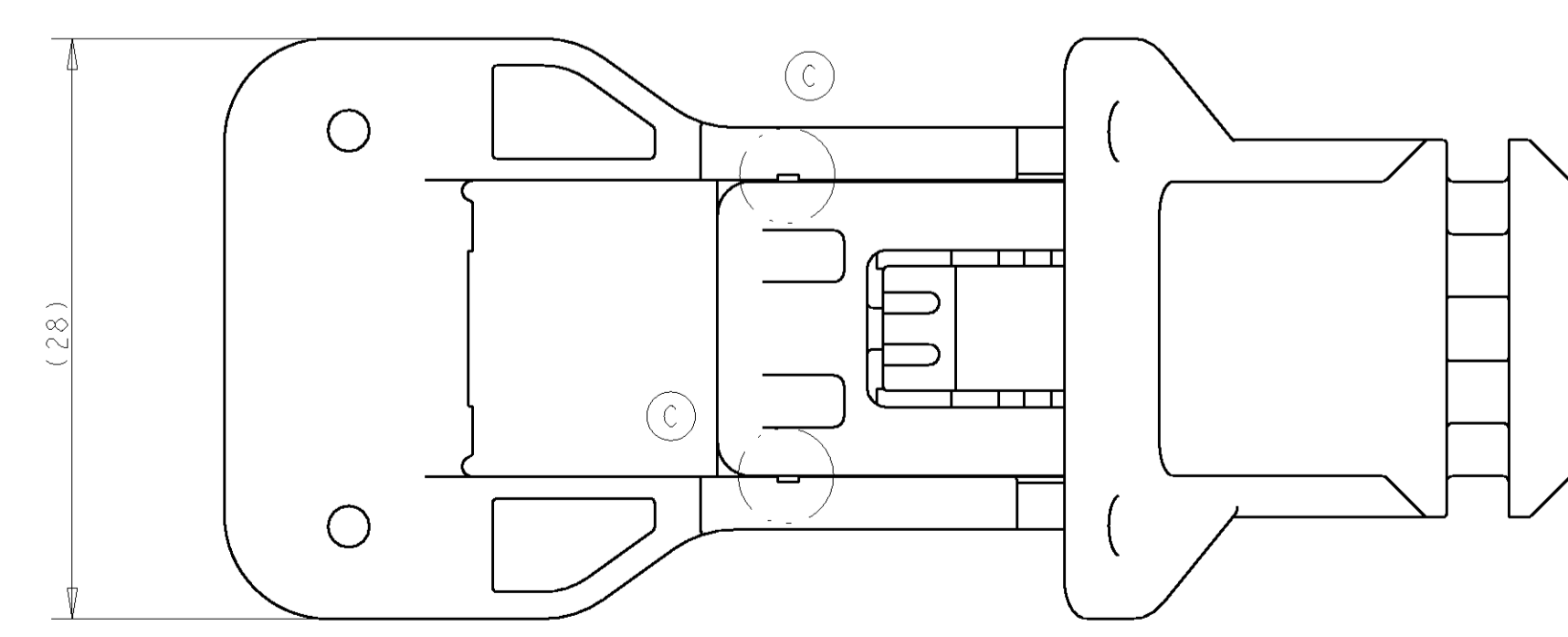
INDICE DE REVISION PIECE DU PORTE MODULE
SHIELD HOUSING REVISION NUMBER



DESIGNATION NAME	LEVIER LEVER	PORTE MODULE SHIELD FOR SOCKET HOUSING
REPERE REP.	1	2
COULEUR COLOR	NOIR BLACK	VOIR EN PAGE 2 SEE ON PAGE 2
MATIERE MATERIAL	PBT 20% FV PBT 20% GF	PBT 20% FV PBT 20% GV
QUANTITE QUANTITY	1	1

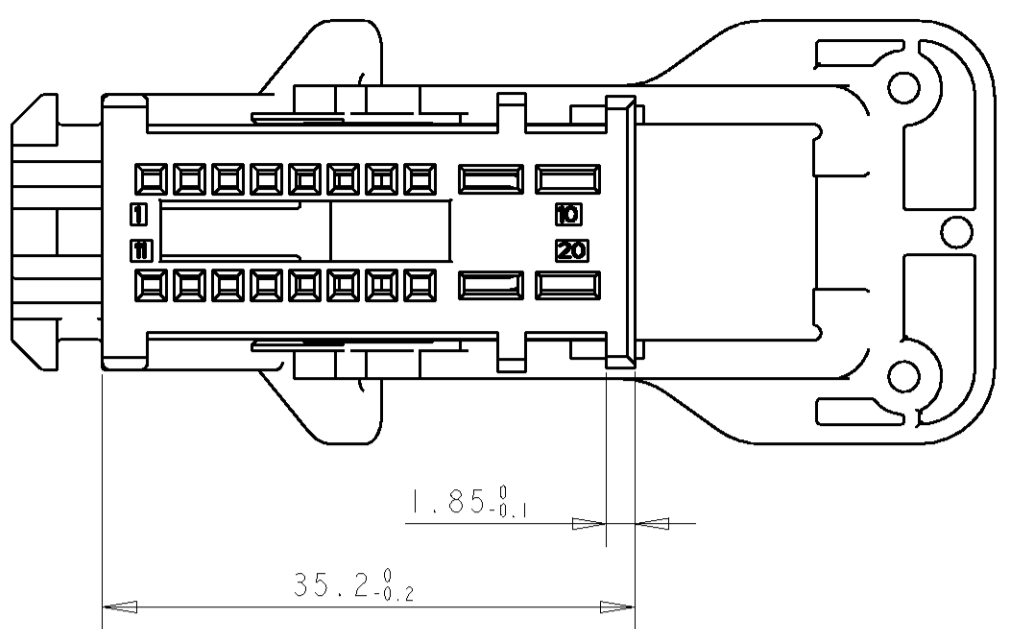
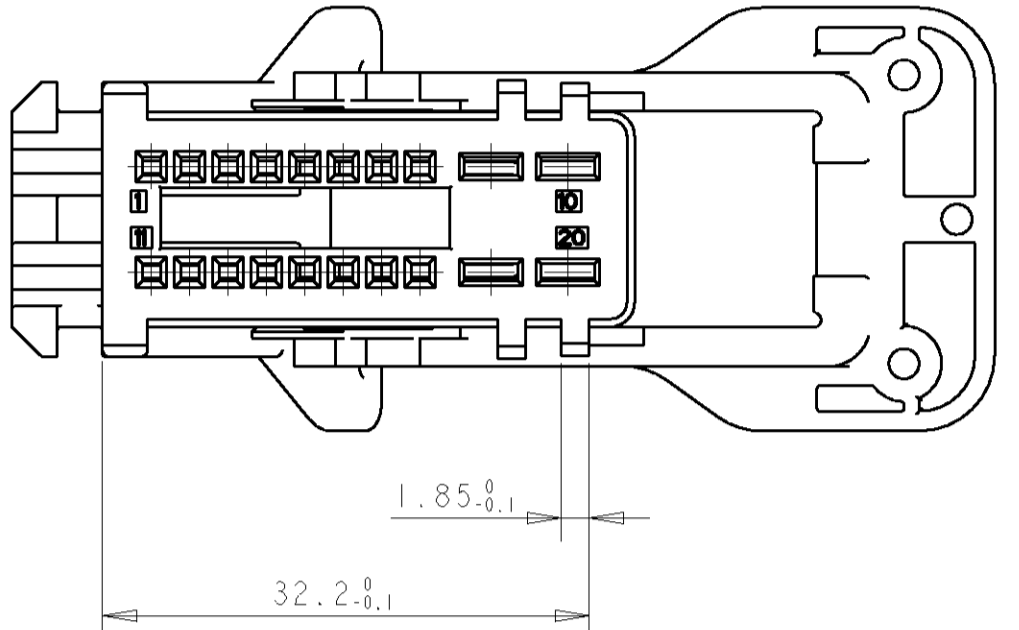
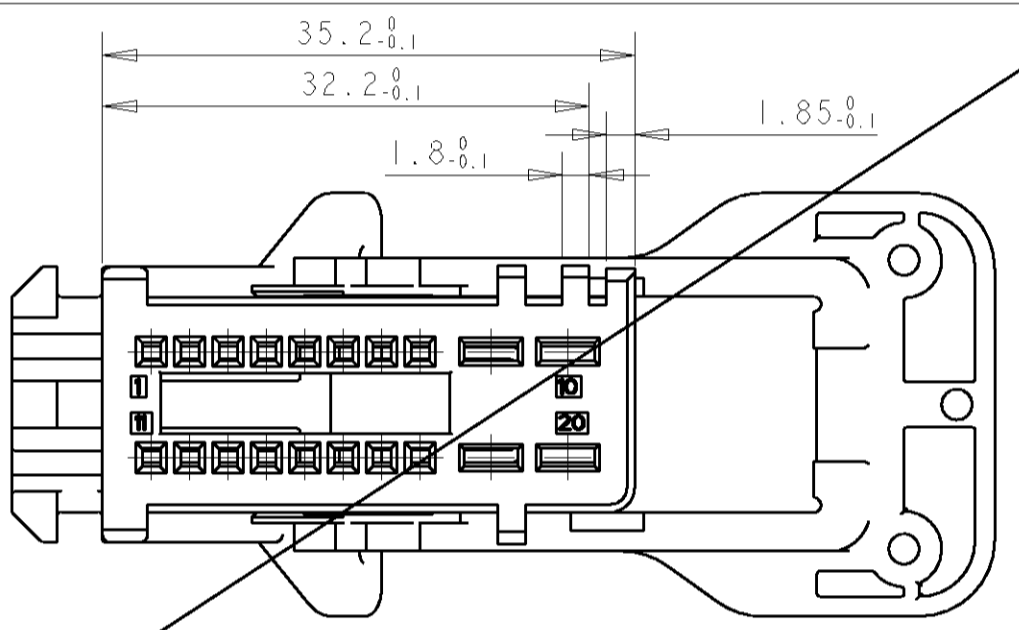
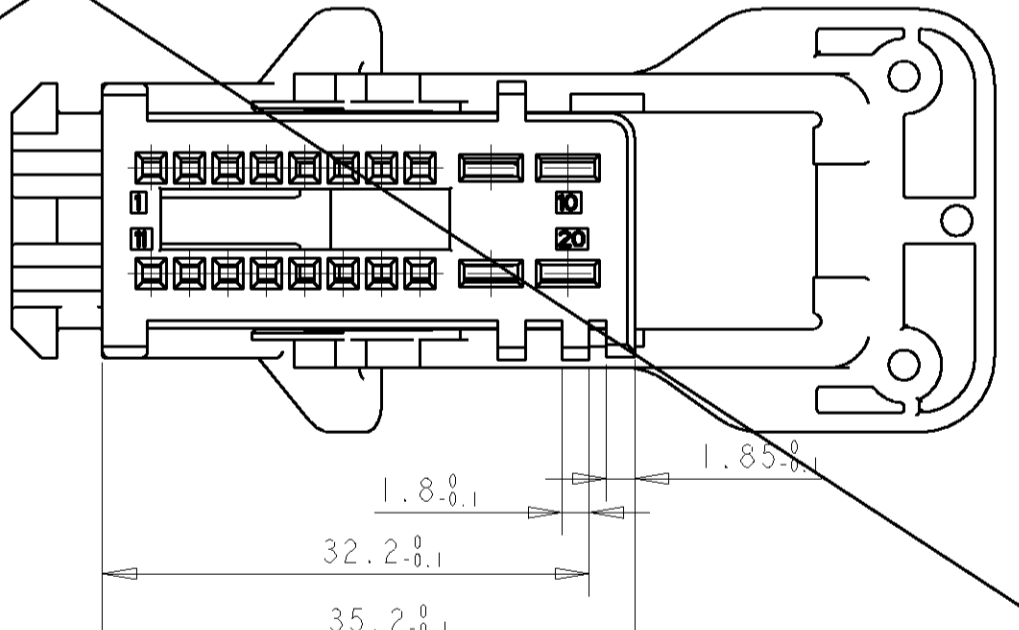
NOTES:


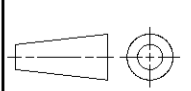
- 1 - PIECES A UTILISER AVEC/PART TO USE WITH:
- PORTE-CLIPS/SOCKET HOUSING 20 VOIES 1379914
- PORTE-LANGUETTES/TAB HOUSING 20 VOIES MQS MPQ HYBRIDE X-1379913-X
- 2 - CAHIER DE PRECONISATIONS/REQUIREMENT SHEET 411-15698



DIMENSIONS: mm TOLERANCES UNLESS OTHERWISE SPECIFIED: TOLERANCES NON SPECIFIEES: (UNITES DE DECIMALES): ±0.2 FINISH / FINITION: -		DWN / DESIGNER: A. BARLEMONT CHK / CHECKED: J. DAHER APVD / APPROVED: J. DAHER DATE: 27 JAN 2006		tyco Electronics TYCO ELECTRONICS France SAS BP 30039, 95301 CERGY-PONTOISE Cedex	
MATERIAL / MATIERE: VOIR TABLEAU WEIGHT / MASSE APPROX.: 14 g		NAME / TITRE: PORTE MODULE 20 VOIES CC SHIELD FOR SOCKET HOUS. 20 w + SHUNT PRODUCT SPEC. / SPEC. PRODUIT: 108-15343 APPLICATION SPEC. / SPEC. APPLICATION: -		SIZE / FORMAT: A1 CAGE CODE / CODE CAGE: 00779 DRAWING NO. / NO. PLAN: 1379917 RESTRICTED TO / RESERVE A: -	
CUSTOMER DRAWING / PLAN CLIENT		UNIFORMED / FOUR REFERENCE: -		SCALE / ECHELLE: 1:1 SHEET / FEUILLE: 1 OF 2 REV / REV: C	

LOC		DIST		REVISIONS			
F	00	P	LTR	DESCRIPTION	DATE	DWN	APVD
-	-	-	-	SEE SHEET 1	-	-	-

1379917-1	PORTE MODULE SHIELD FOR SOCKET HOUSING	JAUNE YELLOW		ECHELLE 2:1
1379917-2	PORTE MODULE SHIELD FOR SOCKET HOUSING	ORANGE ORANGE		ECHELLE 2:1
1379917-5	PORTE MODULE SHIELD FOR SOCKET HOUSING	BLEU BLUE		ECHELLE 2:1
1379917-6	PORTE MODULE SHIELD FOR SOCKET HOUSING	MARRON BROWN		ECHELLE 2:1
REFERENCE TYCO TYCO PN	NOM NAME	COULEUR COLOR	DETROMPAGE CODING	

DIMENSIONS: mm		TOLERANCES UNLESS OTHERWISE SPECIFIED: ±0.2		DWN A. BARLEMON 27FEB2004		 TYCO ELECTRONICS France SAS BP 30039, 95301 CERGY-PONTOISE Cedex	
		ANGLES FINISH ±45°		CHK M. POLLIFONTE 27FEB2004		NAME PORTE MODULE 20 VOIES CC SHIELD FOR SOCKET HOUS. 20 w + SHUNT	
MATERIAL VOIR TABLEAU		-		APVD X. ROULLIARD 27FEB2004		PRODUCT SPEC 108-15343	
-		-		APPLICATION SPEC -		SIZE A	
-		-		WEIGHT 14 g		CAGE CODE DRAWING NO 00779 C=1379917	
-		-		CUSTOMER DRAWING		RESTRICTED TO -	
-		-		SCALE 1:1		SHEET 2 OF 2	
-		-		REV C		-	