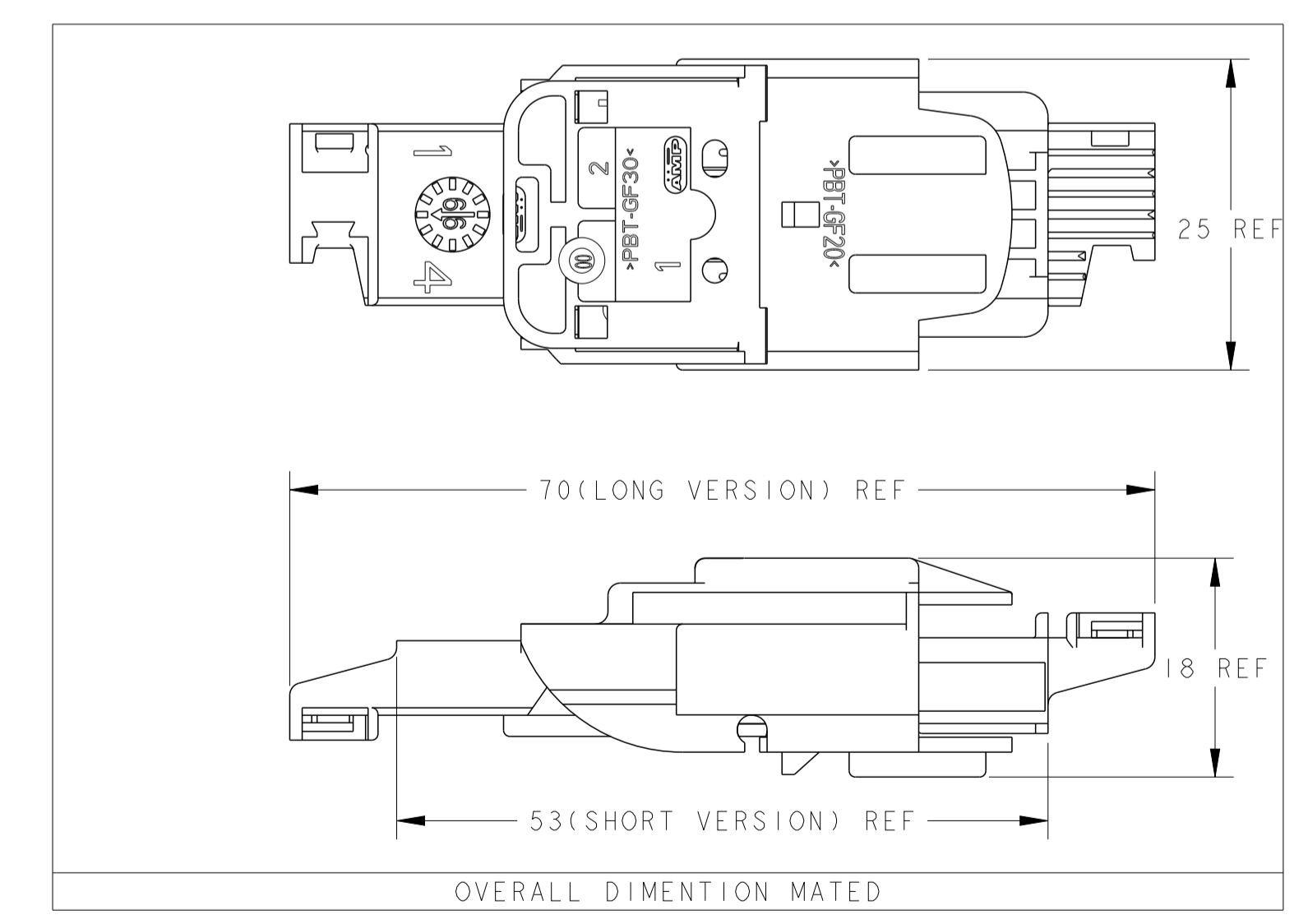
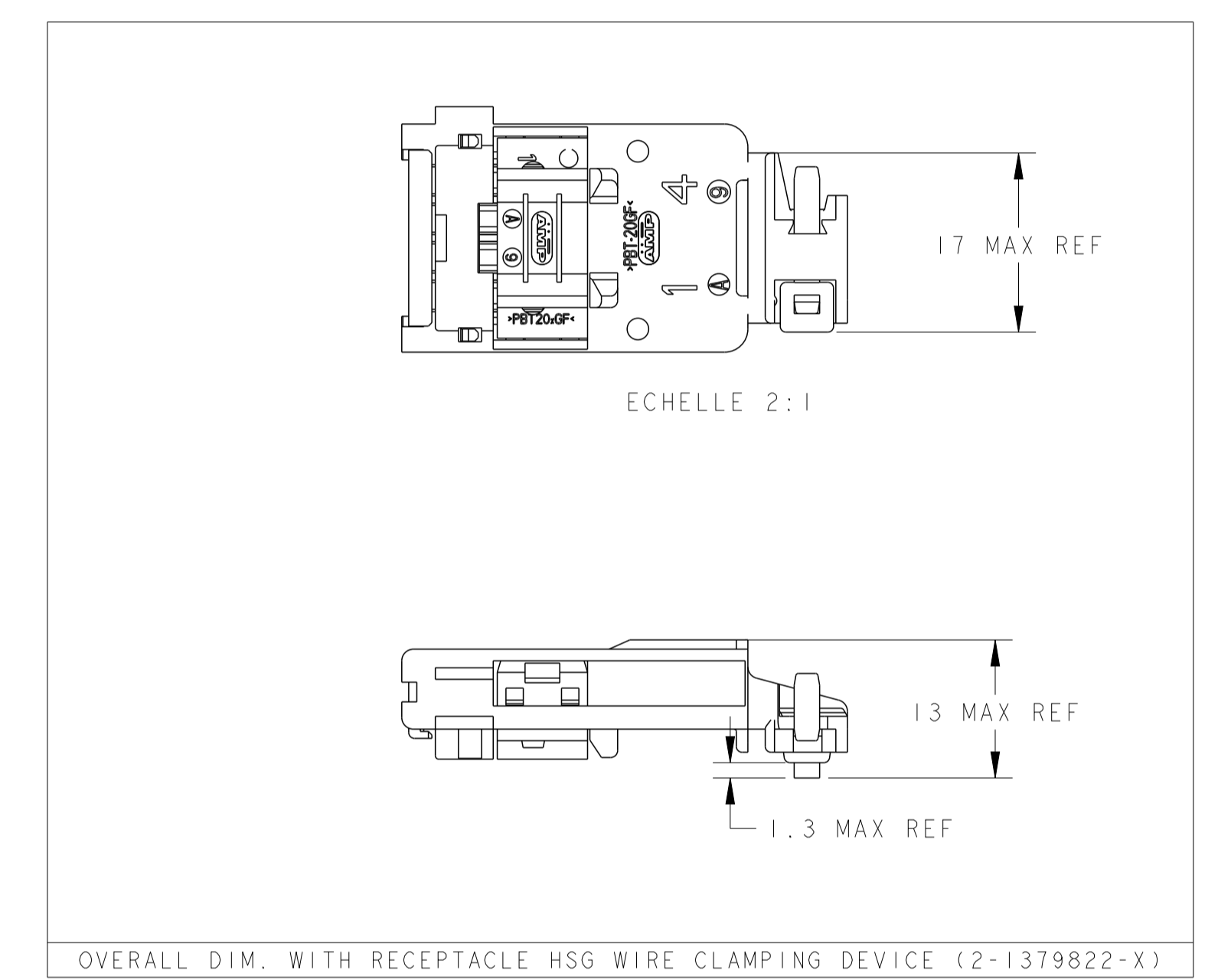
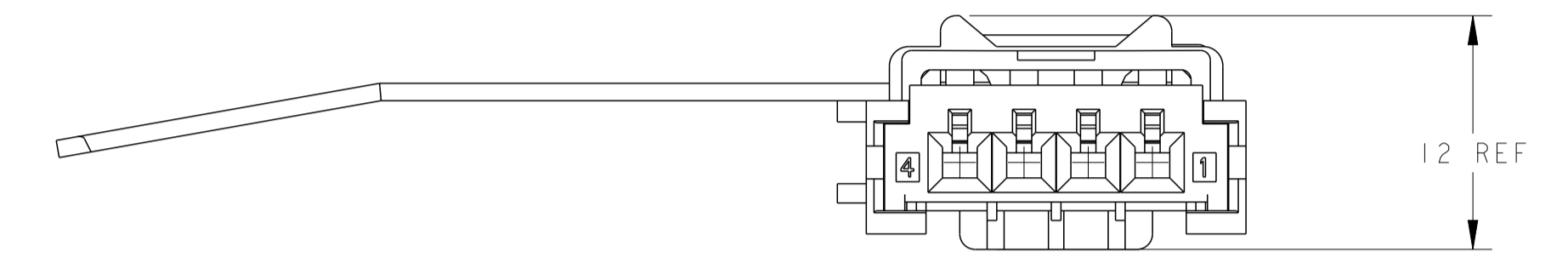
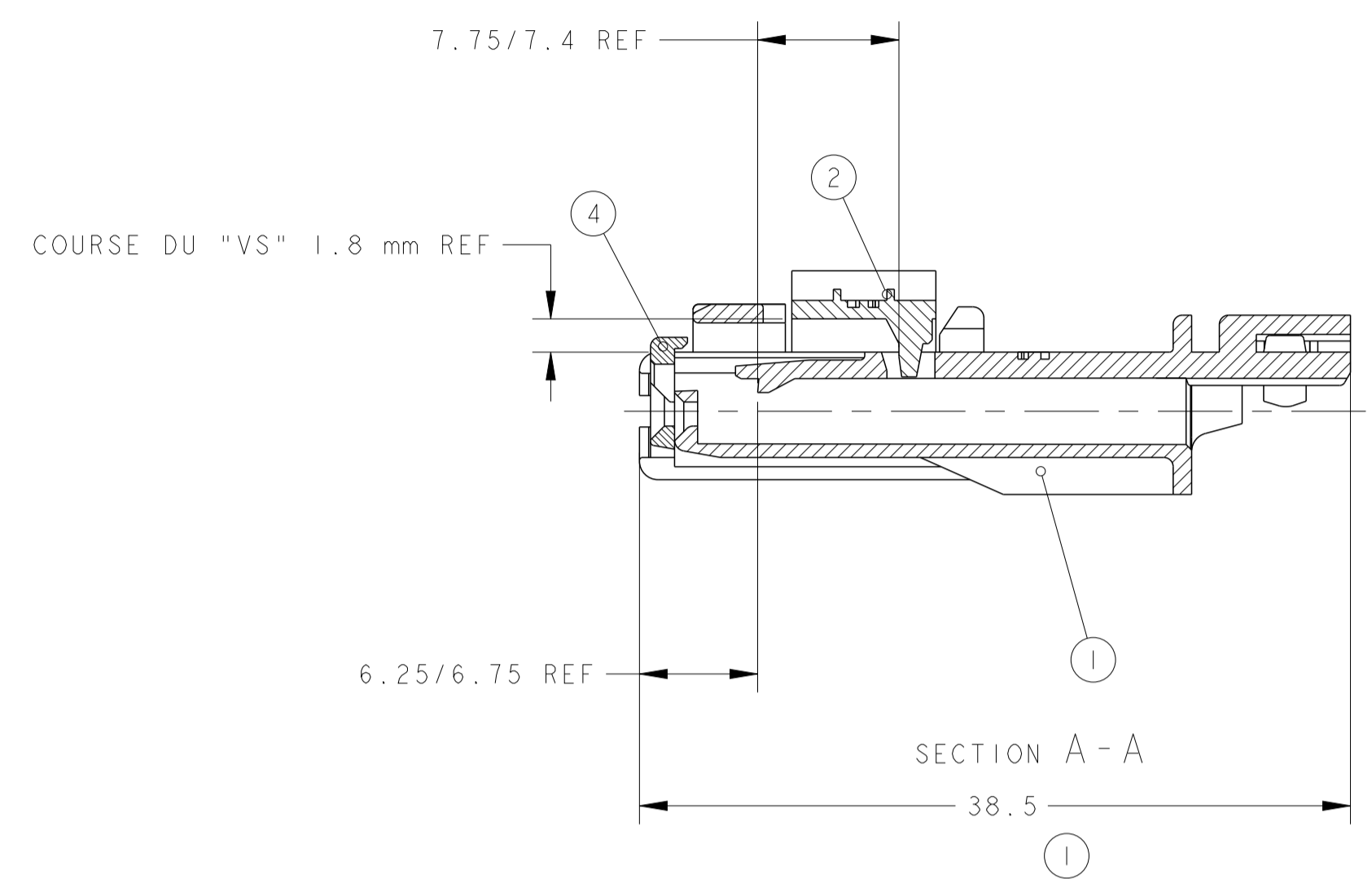
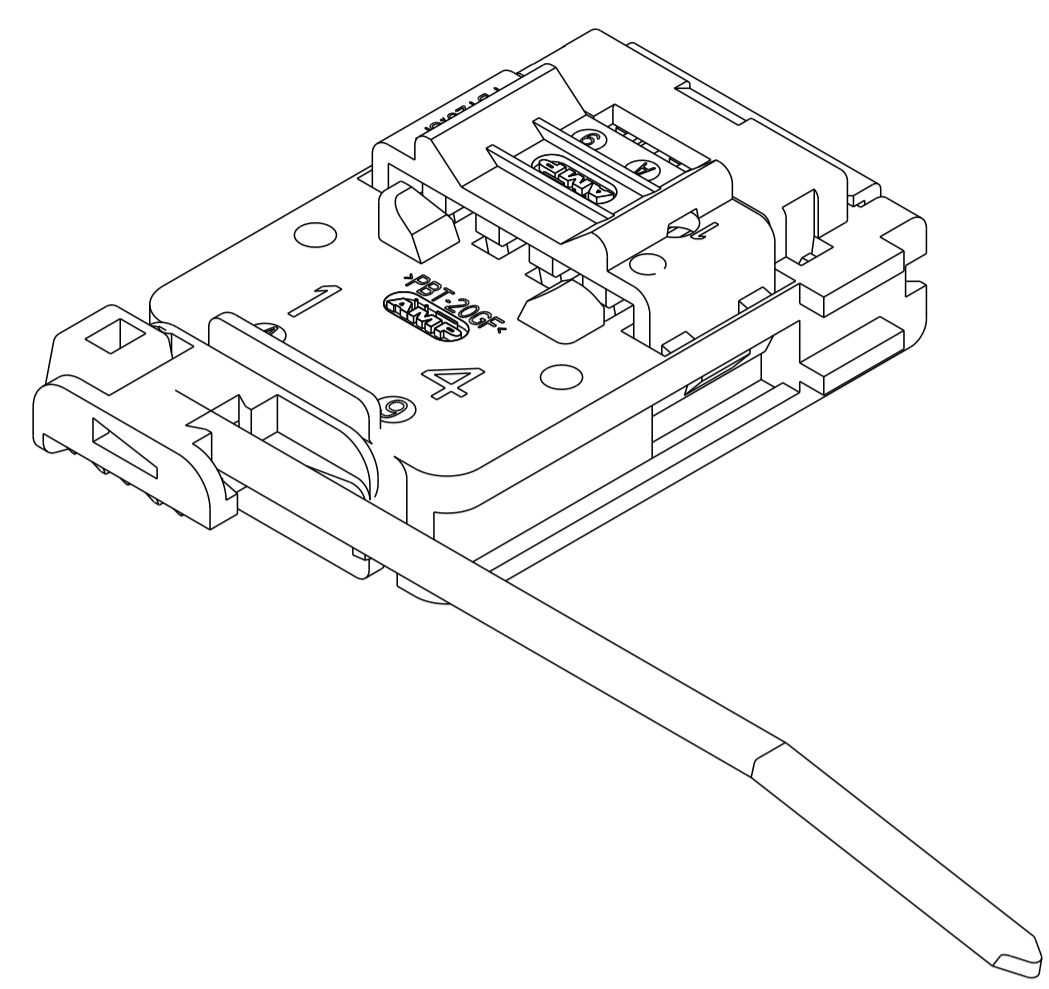
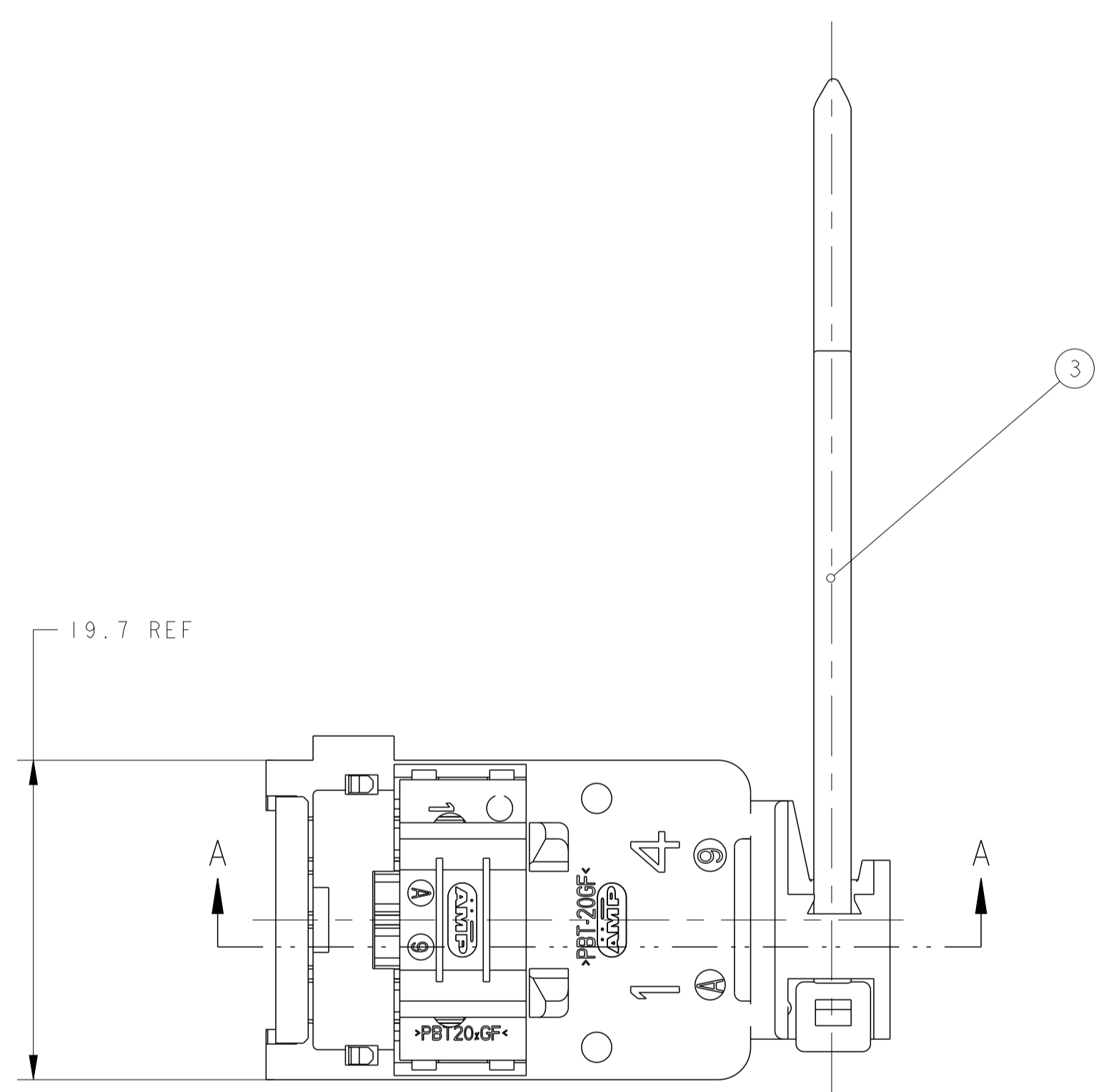


REVISIONS				
P. LTM	DESCRIPTION	DATE	DWN	APVD
A	NEW DRAWING	13AUG2015	OP	XR



2-1379822-4		BLUE RAL 5024
2-1379822-3		GREEN RAL 6001
2-1379822-2		WHITE RAL 9010
2-1379822-1		BLACK RAL 9011
P/N TE	LONG VERSION	



4	GRID	YELLOW	PBT GF	2-1379822-X
3	CABLE CLAMP	NATURAL	PA 66	
2	SECONDARY LOCKING DEVICE	RED	PBT 20 % GF	P/N TE
1	RECEPTACLE HSG	SEE TABLE		
REP	DESIGNATION	COLOR	MATERIAL	P/N TE

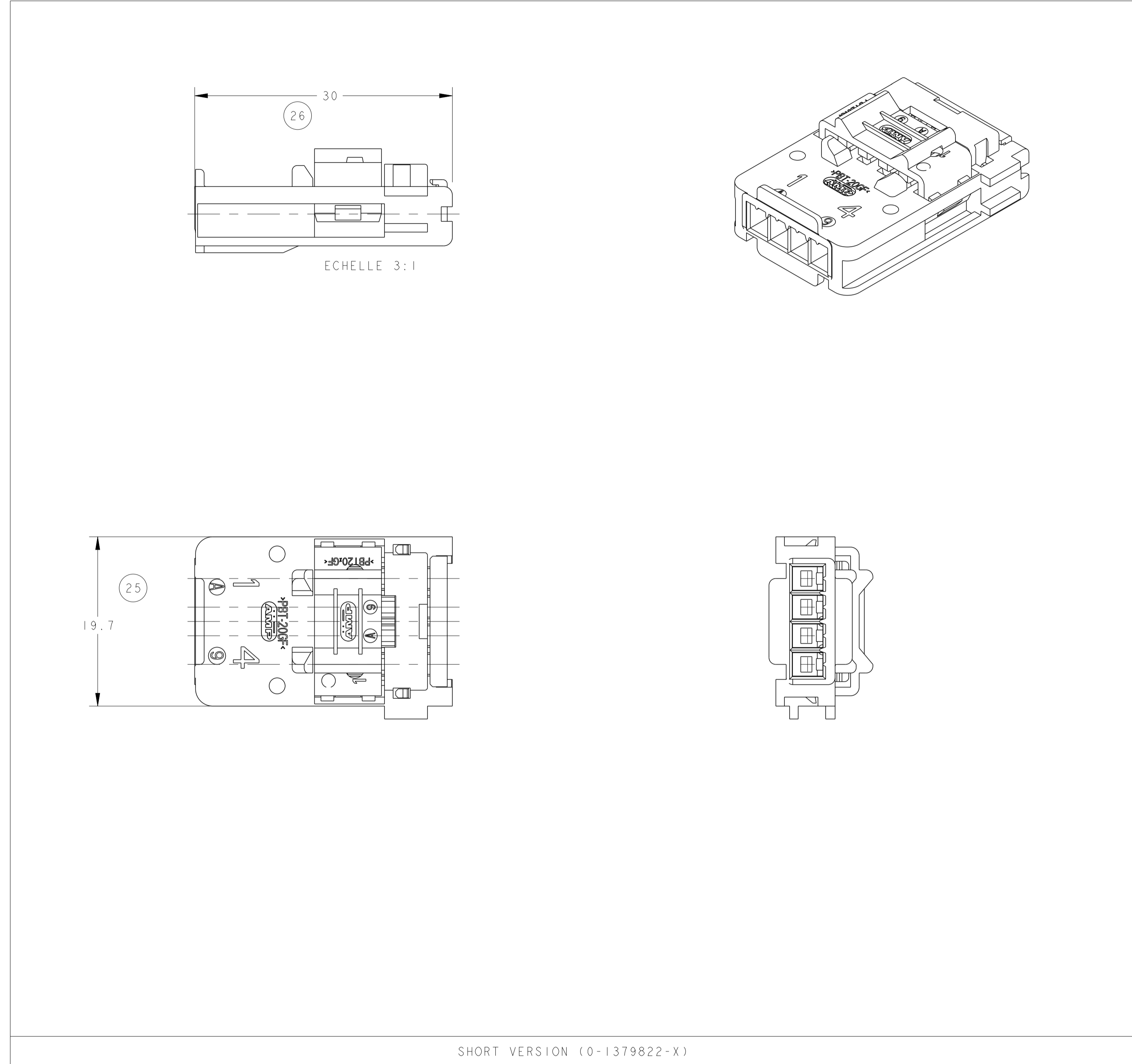
THIS DRAWING IS A CONTROLLED DOCUMENT.

DIMENSIONS:	TOLERANCES UNLESS OTHERWISE SPECIFIED:	DWN O. PAMART 13AUG2015	CHK N. SIMON 20AUG2015	APVD X. ROULLIARD 20AUG2015	NAME RECEPTACLE HOUSING 4 WAYS GEN2 TERMINALS 1.5 TSC OR SICMA II COMPATIBLE
mm	±0.3	PRODUCT SPEC 108-15336	APPLICATION SPEC 411-15683	WEIGHT 3.6g	RESTRICTED TO
	ANGLES ±2°	SIZE A1	CAGE CODE -	DRAWING NO C=1379822	SHEET 1 OF 2
MATERIAL SEE TABLE	FINISH	Customer Drawing	SCALE 3:1	REV A	

TE Connectivity

REVISIONS				
P.	LTN	DESCRIPTION	DATE	APVD
-		SEE SHEET 1	-	-

0-1379822-4		BLUE RAL5024
0-1379822-3		GREEN RAL 6001
0-1379822-2		WHITE RAL 9010
0-1379822-1		BLACK RAL 9011
REF TYCO	SHORT VERSION	



THIS DRAWING IS A CONTROLLED DOCUMENT.		OWN O. PAMART 13AUG2015	
DIMENSIONS: mm		CHK N. SIMON 20AUG2015	
TOLERANCES UNLESS OTHERWISE SPECIFIED:		APVD X. ROUILLARD 20AUG2015	NAME RECEPTACLE HOUSING 4 WAYS GEN2 TERMINALS 1.5 TSC OR SICMA II COMPATIBLE
		PRODUCT SPEC 108-15336	
MATERIAL SEE TABLE		APPLICATION SPEC 411-15683	SIZE A1
FINISH		WEIGHT 3.2g	RESTRICTED TO -
		Customer Drawing	SCALE 3:1 SHEET 2 OF 2 REV A