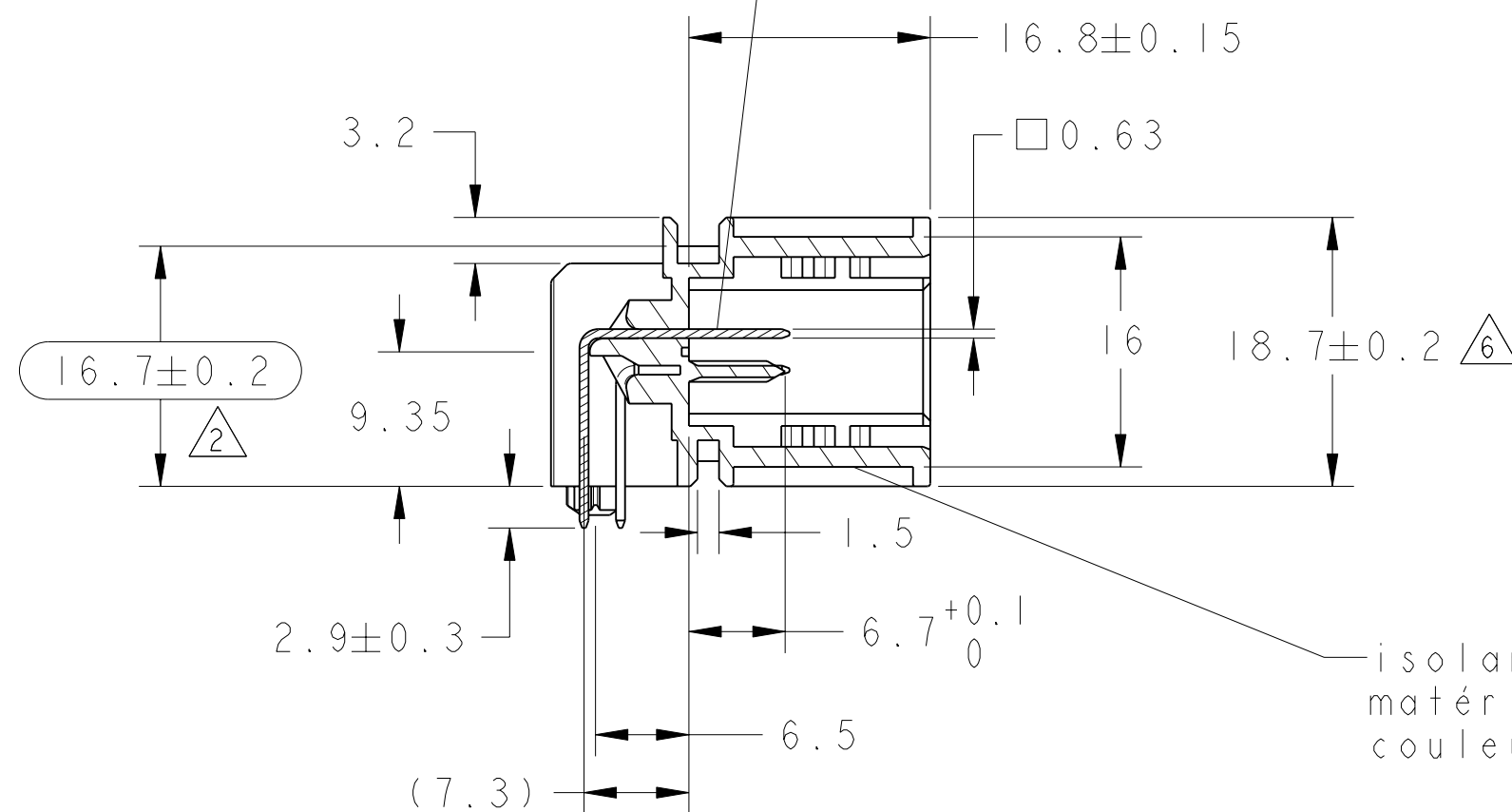
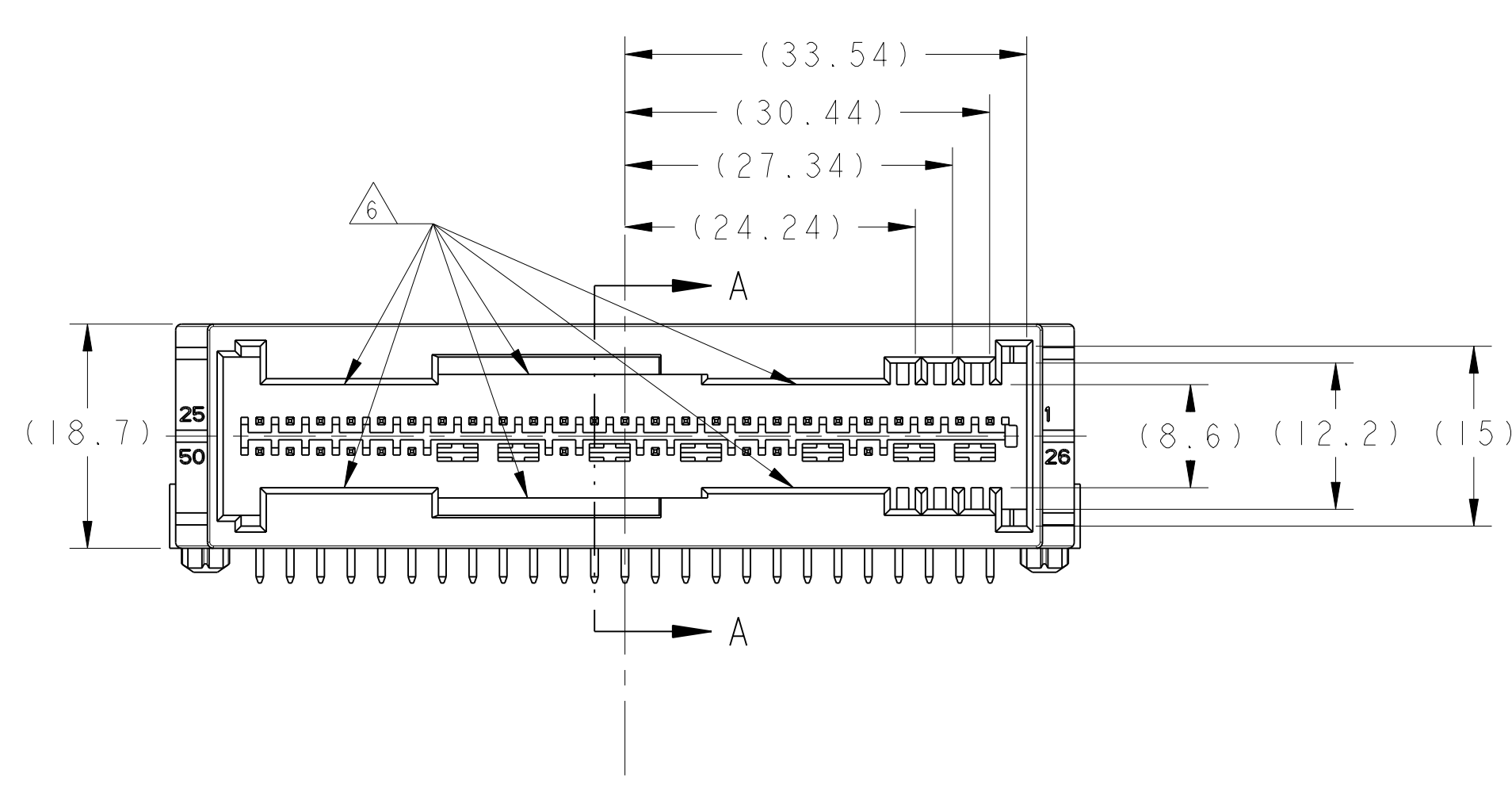
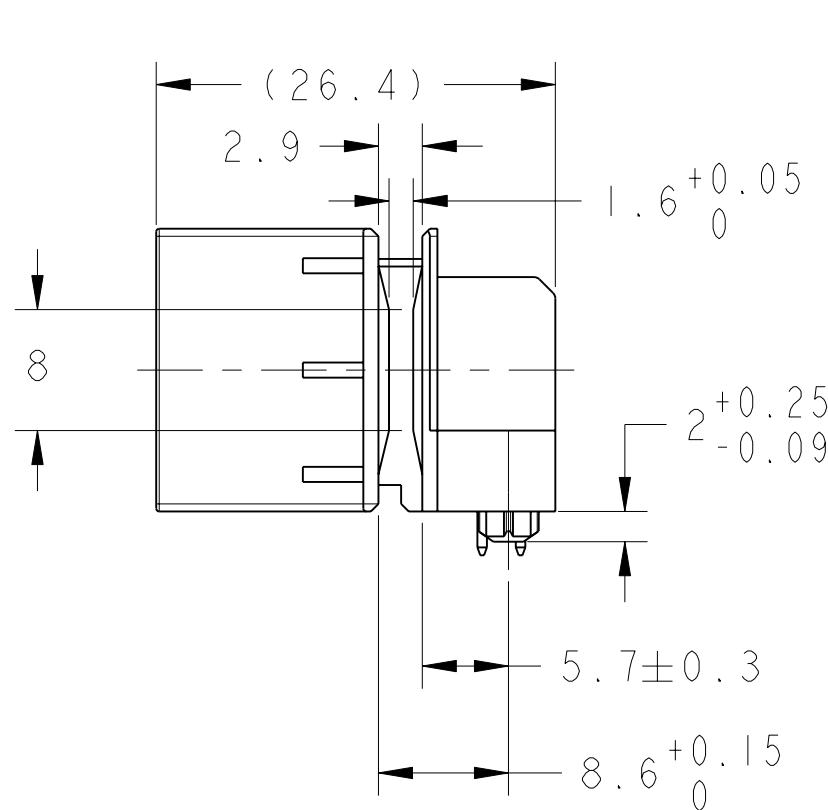
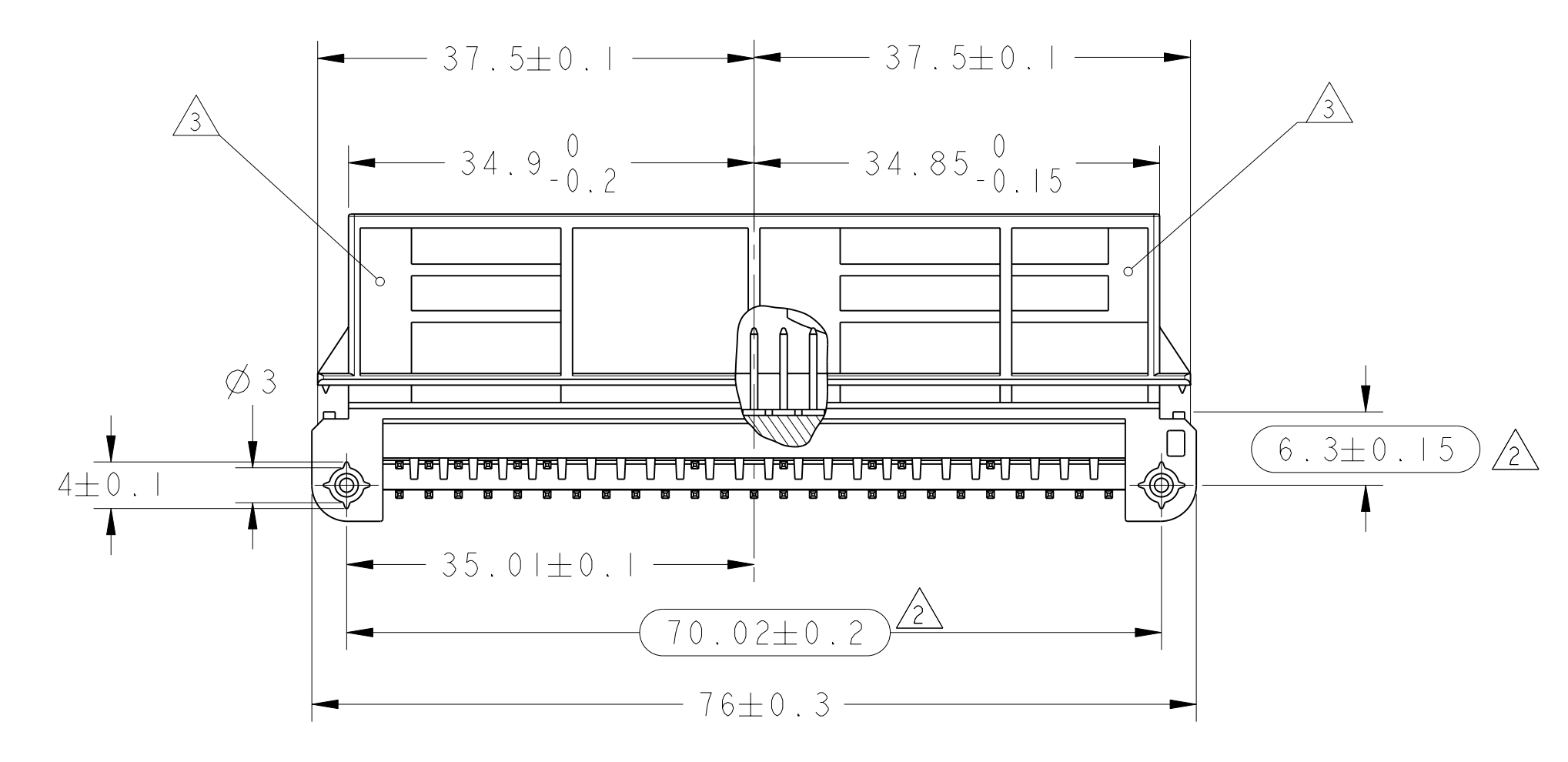
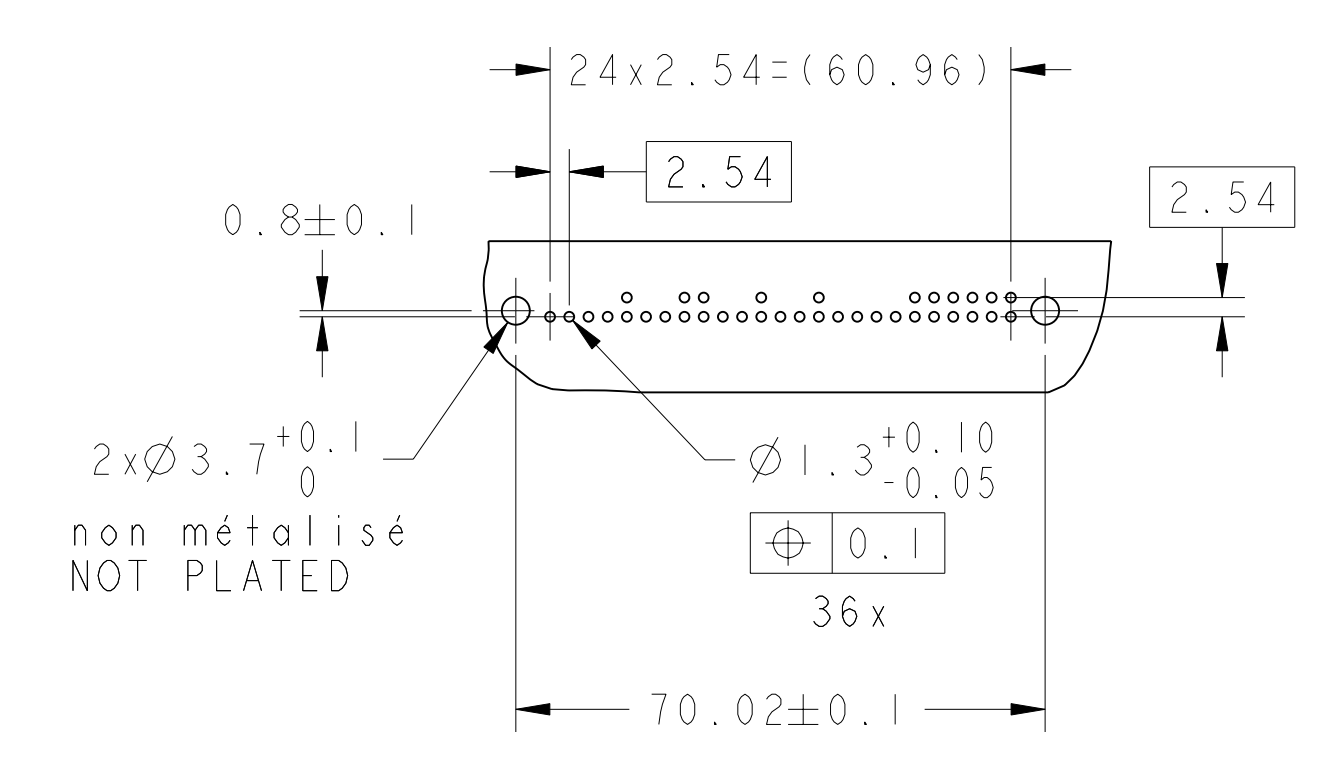


LOC	DIST	REVISIONS			
F	7	REV	DATE	BY	APPD
		A	09APR2001	GR	JPP
		B	20SEP2001	GR	JPP
		C	26AUG2009	AD	JL

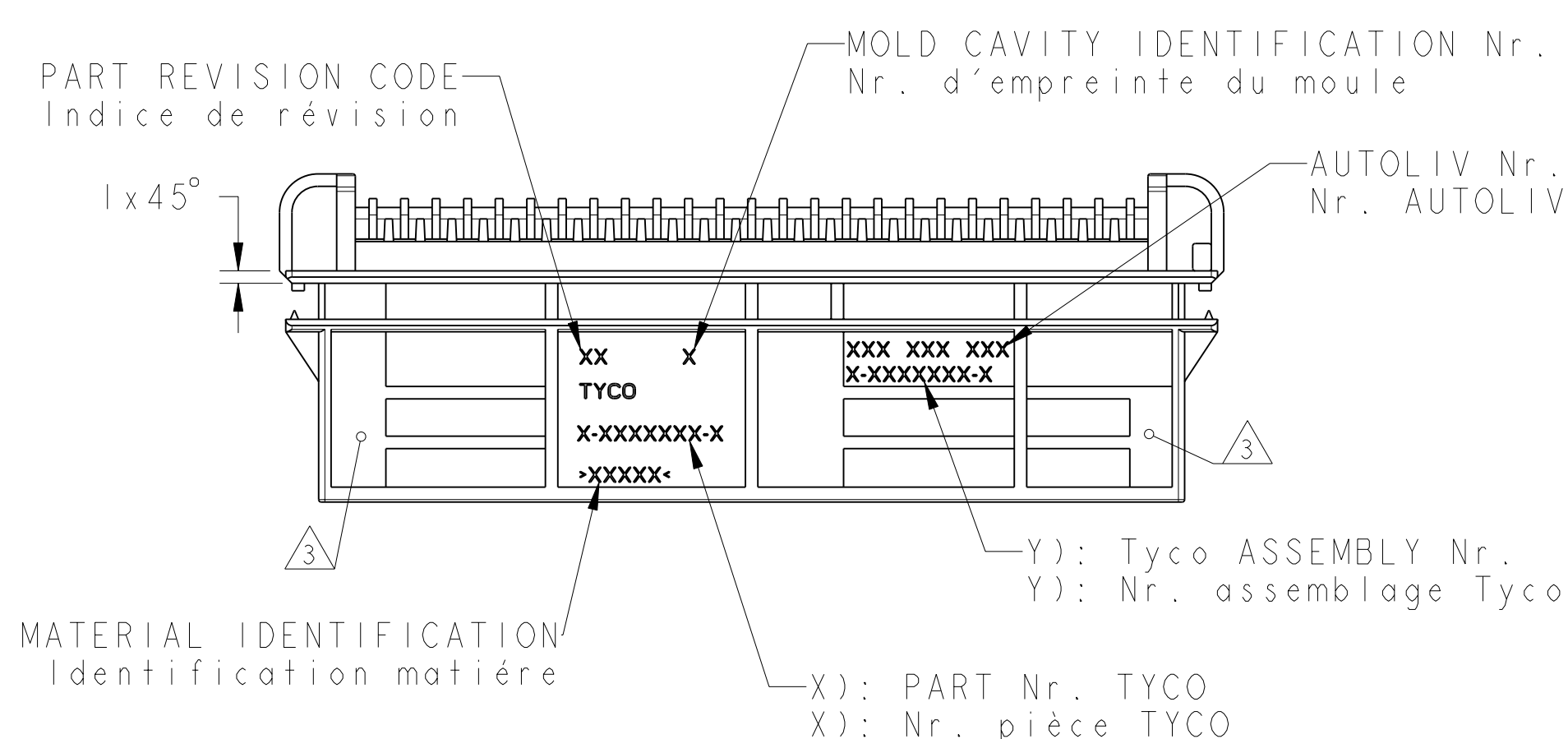
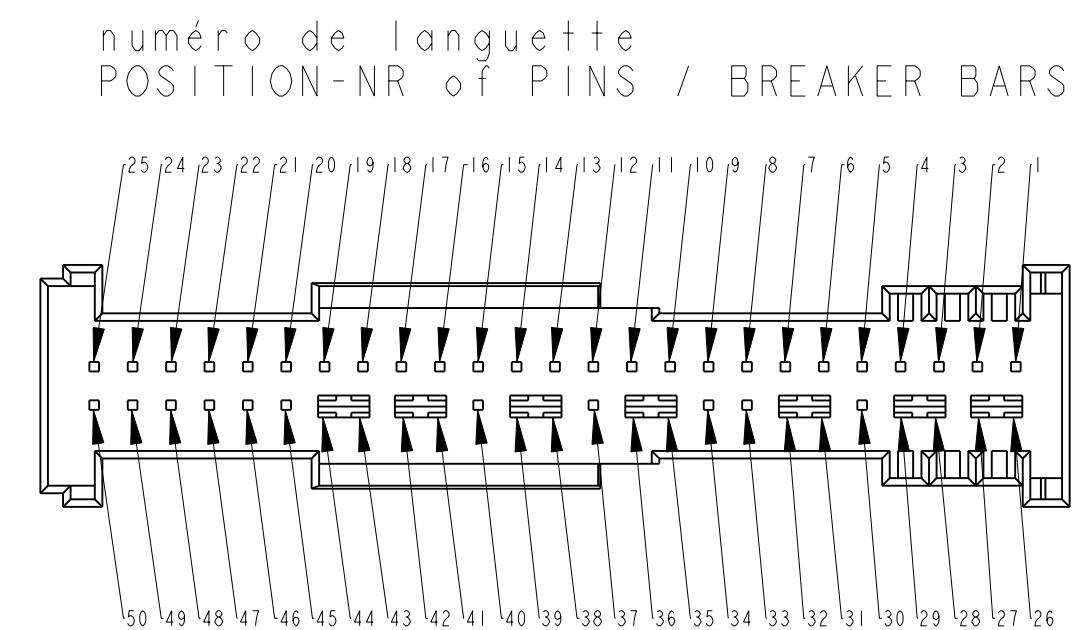
plan de perçage
PCB HOLE PATTERN
ECHELLE 1:1



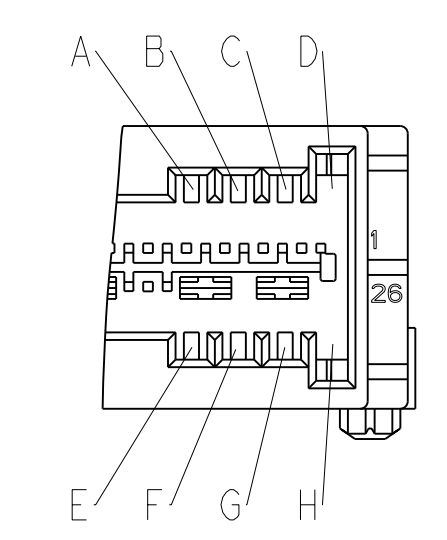
contact mâle / PIN CONTACT
 matériau / MATERIAL: CuSn6
 protection / FINISH:
 zone de contact >= 0.8 µm Au sur >= 1µm Ni
 zone de soudage 3±1µm SnPb sur 2±1µm Ni
 MATING AREA >=0.8 µm Au OVER >=1µm Ni
 SOLDERING AREA 3±1µm SnPb OVER 2±1µm Ni

isolant / PIN CONNECTOR
 matériau / MATERIAL: PBT +20% GF
 couleur: voir table / COLOUR SEE TABLE

COUPE A-A



codage / CODING
D-H dessiné / D-H DRAWN



PART	CODING	PIN/BREAKER BAR ARRANGEMENT	ASSEMBLY Nr
0-1412005-2	PBT GF-20 D-H ORANGE 2004	NO 0 NO - -	0-1412005-2
I-1379406-2	PA6.6 GF-25 D-H ORANGE 2004	1...25 30,33,34,37,40,45...50	26-27,28-29,31-32, 35-36,38-39,41-42,43-44
I-1379406-1	PBT GF-20 D-H ORANGE 2004	1...25 30,33,34,37,40,45...50	26-27,28-29,31-32, 35-36,38-39,41-42,43-44
X): P/N Tyco	MATERIAL GEOMETRY COLOUR RAL	PIN POSITION PINS BREAKER BAR	AUTOLIV SIEMENS Y): Tyco

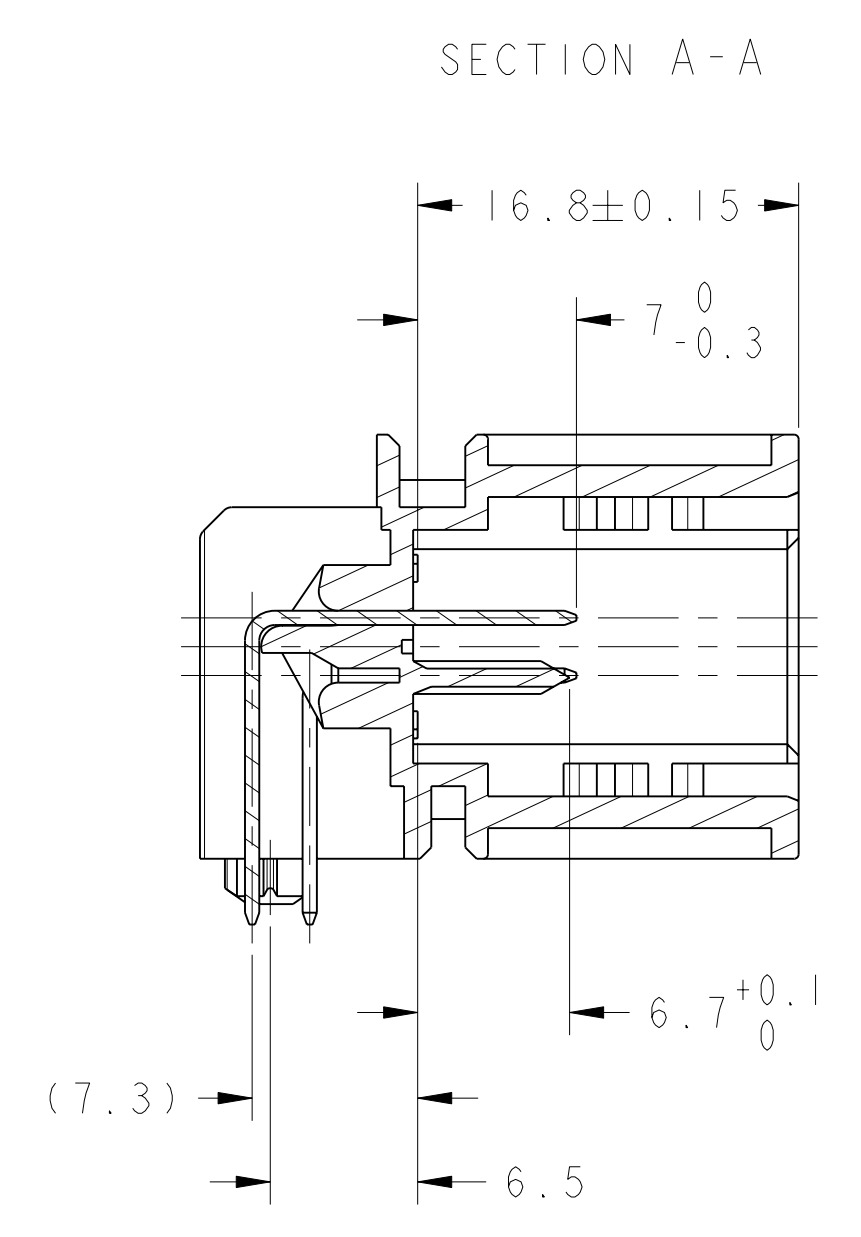
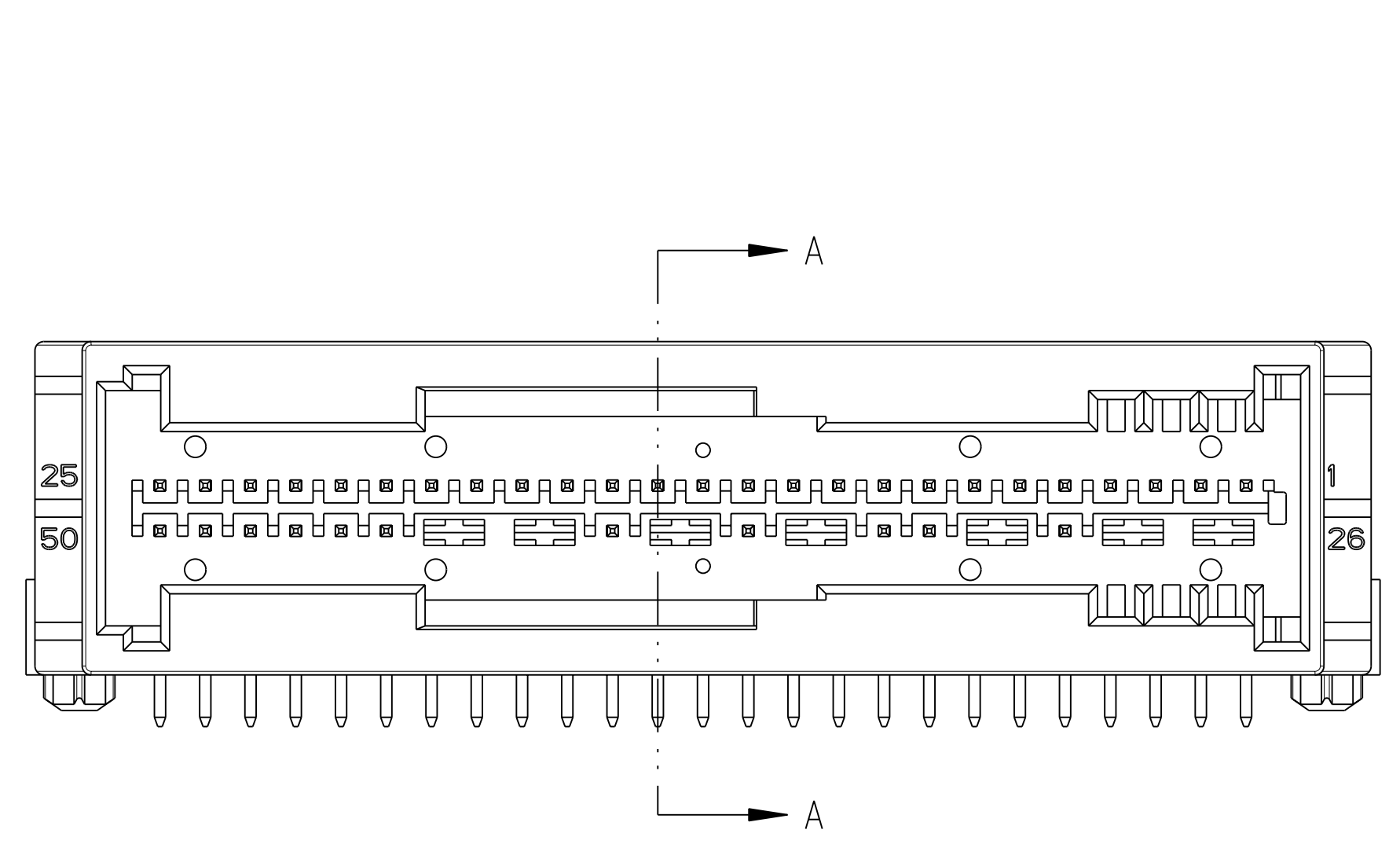
- 1 RECYCLED MATERIAL : max. 25%
 - 2 MEASUREMENTS FOR INITIAL SAMPLE REPORT ON 30 PART PER CAVITY Cmk =>1.67
 - 3 MEASURE 16.4 ALLOWABLE
 - 4 CABLE OUTLET ON THE LEFT SIDE
 - 5 LENGTH: DINI6901-130; ANGLES FORM AND POSITION: DIN ISO 2768-mH
 - 6 ALLOWED NIPPING 0.2 ON EVERY WALL
 - (...) DIMENSIONS FOR INFORMATION ONLY
- matériau recyclable à 25% maximum
 Mesures faite sur 30 échantillons initiaux pour chaque cavité Cmk=>1.67
 mesure 16.4 admissible
 sortie de câble à gauche
 longueurs: DINI6901-130; angles formes et positions: DIN ISO 2768-mH
 Pincement autorisé 0.2 sur chaque parois
 cotes pour information seulement

REPLACE / Remplace V23540-MI650-F560...F579*-5827

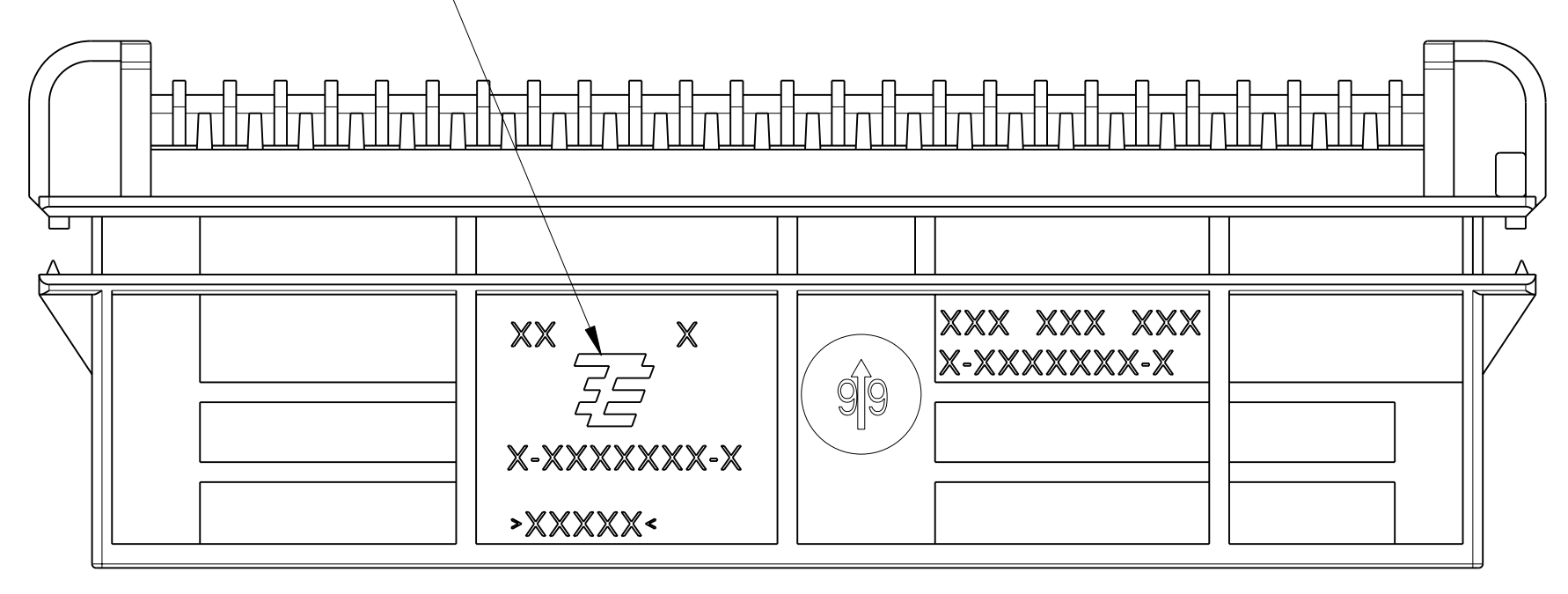
DIMENSIONS: mm		TOLERANCES UNLESS OTHERWISE SPECIFIED: 5		DWN LS ROUZE 07SEP2000		CHK JP PICAUD 07SEP2000		APVD JJ REVILL 18OCT2000		TYCO ELECTRONICS France SAS BP 39, 95301 CERGY-PONTOISE Cedex	
MATERIAL SEE TABLE		FINISH		NAME PLAN 50P CONNECTEUR MALE DIMENS. DRAW PIN CONNECTOR 50 P.		PRODUCT SPEC		APPLICATION SPEC		SIZE CAGE CODE DRAWING NO RESTRICTED TO	
				WEIGHT		A11 00779 C=1379407		CUSTOMER DRAWING		SCALE 2:1 SHEET 1 OF 2 REV C	

LOC	DIST	REVISIONS					
F	7	P	LTR	DESCRIPTION	DATE	DWN	APVD
		-	-	SEE SHEET 1	-	-	-

OTHER DESIGN ACCEPTED AVAILABLE FOR ALL VERSIONS
 (AUTRES DESIGN ACCEPTES VALABLES POUR TOUTES LES VERSIONS)



RELEASED TYCO/ELECTRONICS LOGO



FOR ALL OTHER DIMENSIONS AND SHAPES SEE SHEET 1/2
 (POUR LES AUTRES DIMENSIONS ET FORMES VOIR FEUILLE 1/2)

<small>THIS DRAWING IS UNPUBLISHED. RELEASED FOR PUBLICATION BY TYCO ELECTRONICS CORPORATION. ALL RIGHTS RESERVED.</small>		DWN: A. DUPUIS 26AUG2009 CHK: J. LALANGE 26AUG2009 APVD: J. REVILL 26AUG2009	tyco Electronics TYCO ELECTRONICS France SAS BP 39, 95301 CERGT-PONTOISE Cedex
DIMENSIONS: mm	TOLERANCES UNLESS OTHERWISE SPECIFIED: ±0.1 ±0.2 ±0.3 ±0.4 ±0.5 ±0.6 ±0.7 ±0.8 ±0.9 ±1.0 ±1.2 ±1.5 ±2.0 ±2.5 ±3.0 ±3.5 ±4.0 ±4.5 ±5.0 ±6.0 ±7.0 ±8.0 ±9.0 ±10.0	NAME: PLAN 50P CONNECTEUR MALE DIMENS. DRAW PIN CONNECTOR 50 P. PRODUCT SPEC: APPLICATION SPEC:	SIZE: A1 CAGE CODE: 00779 DRAWING NO: C=1379407 RESTRICTED TO:
MATERIAL: SEE TABLE	FINISH:	WEIGHT:	CUSTOMER DRAWING SCALE: 3:1 SHEET: 2 OF 2 REV: C