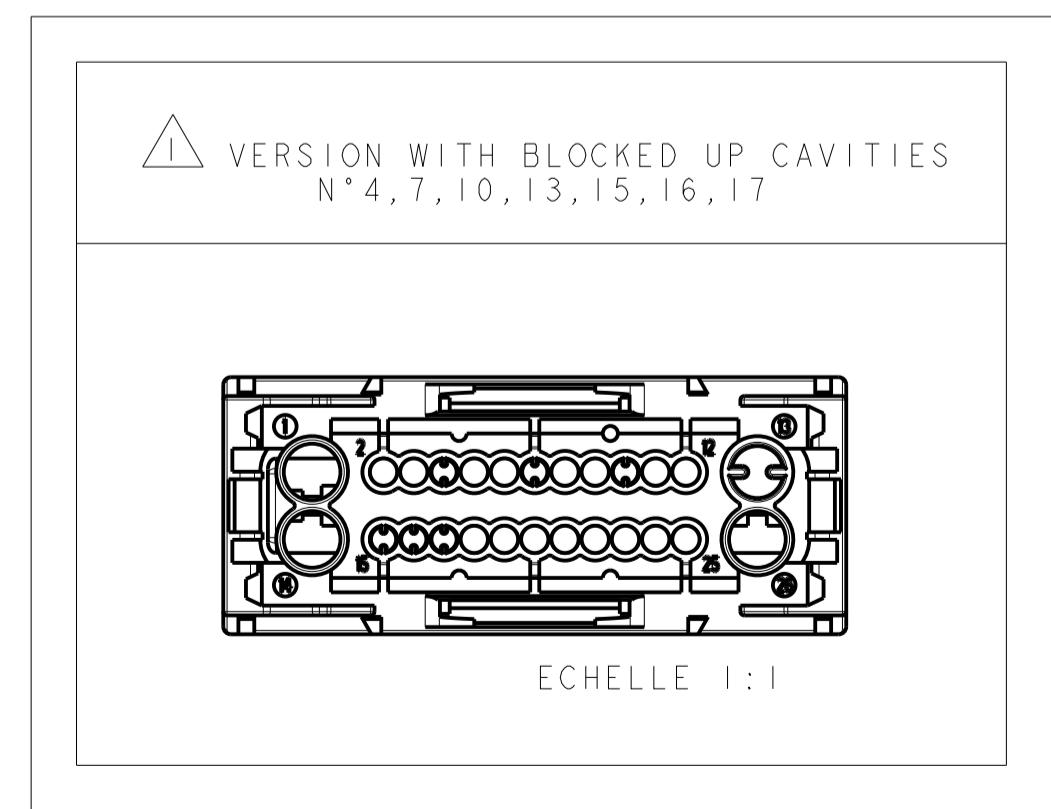
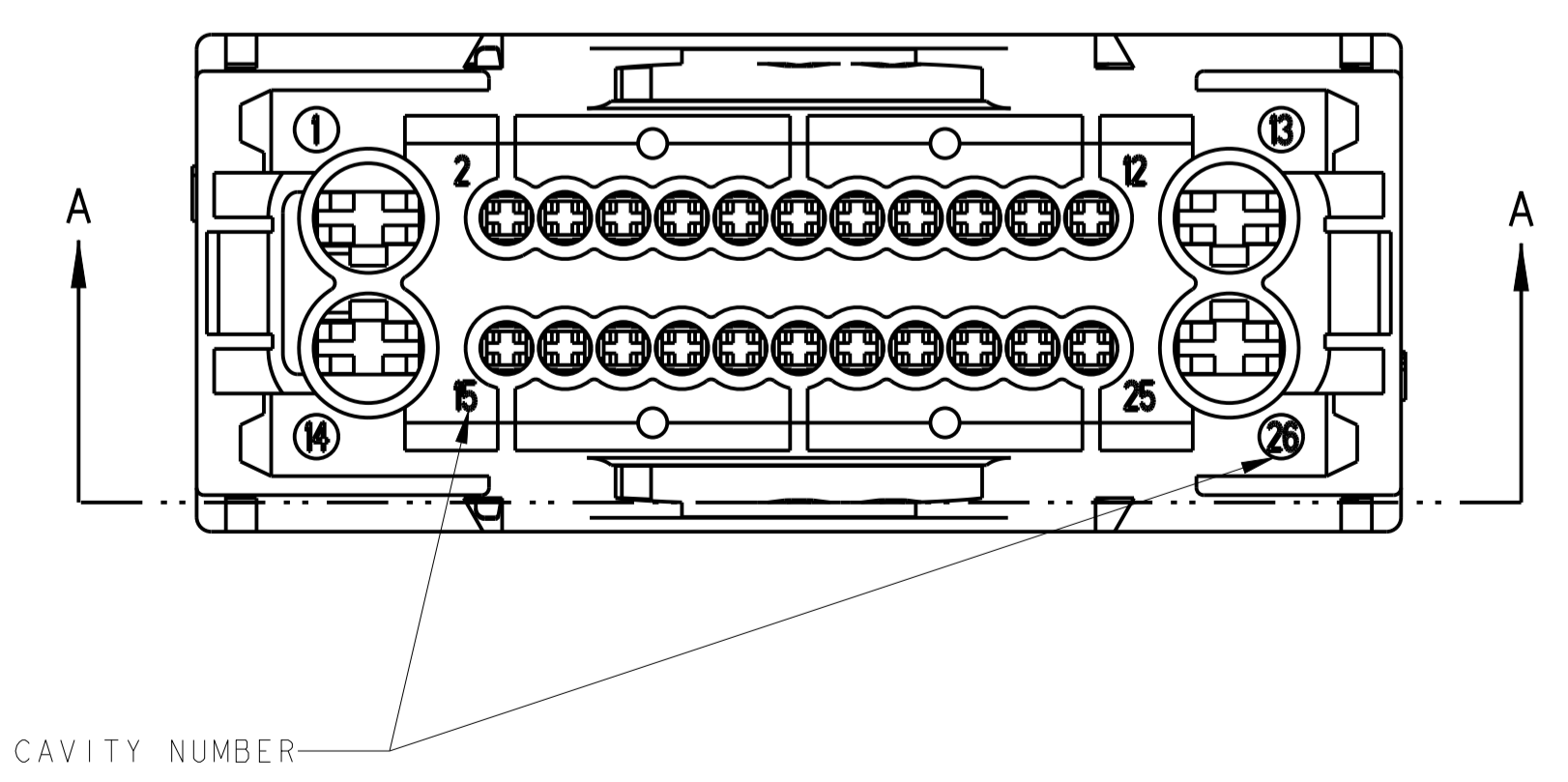
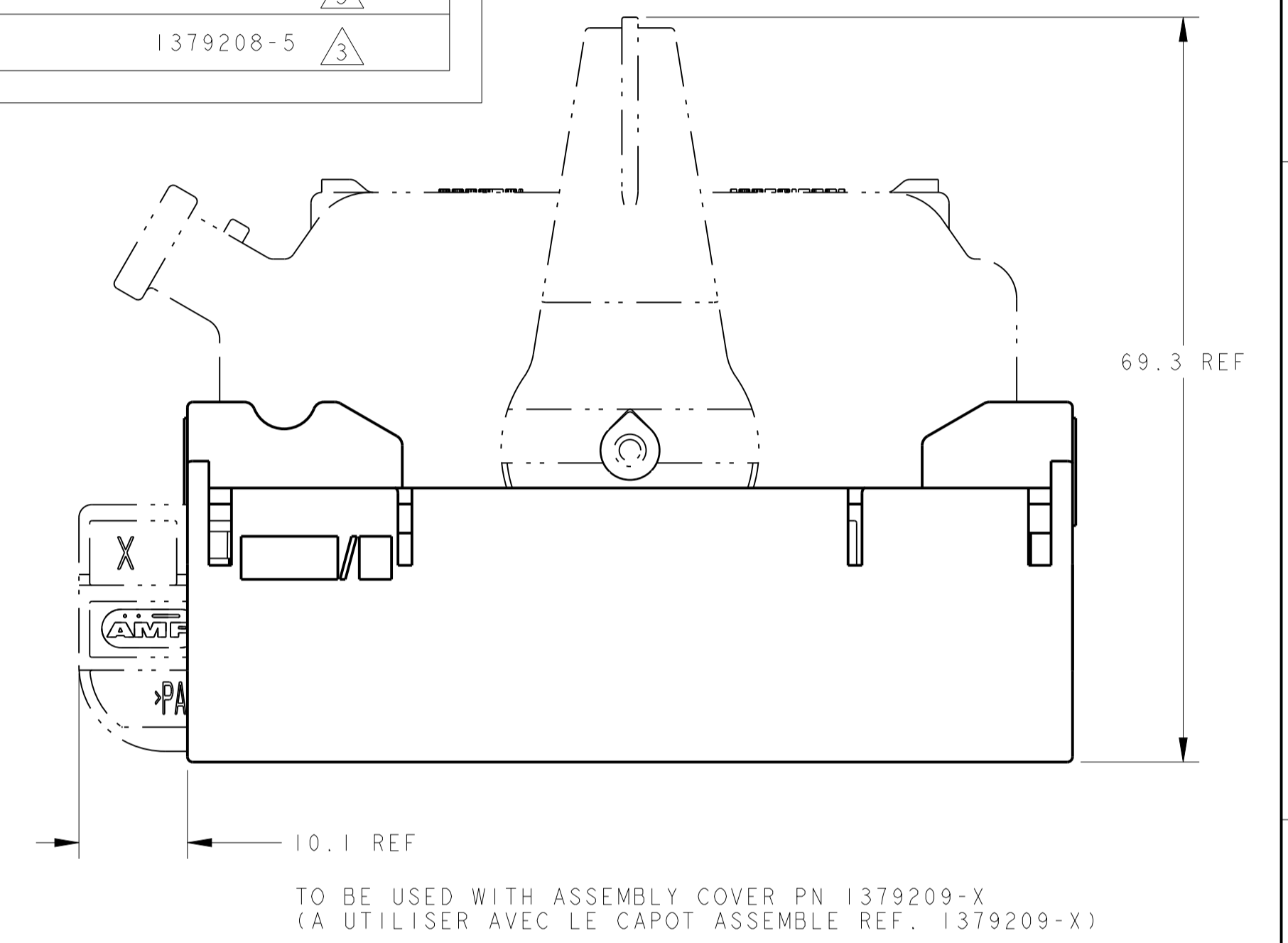
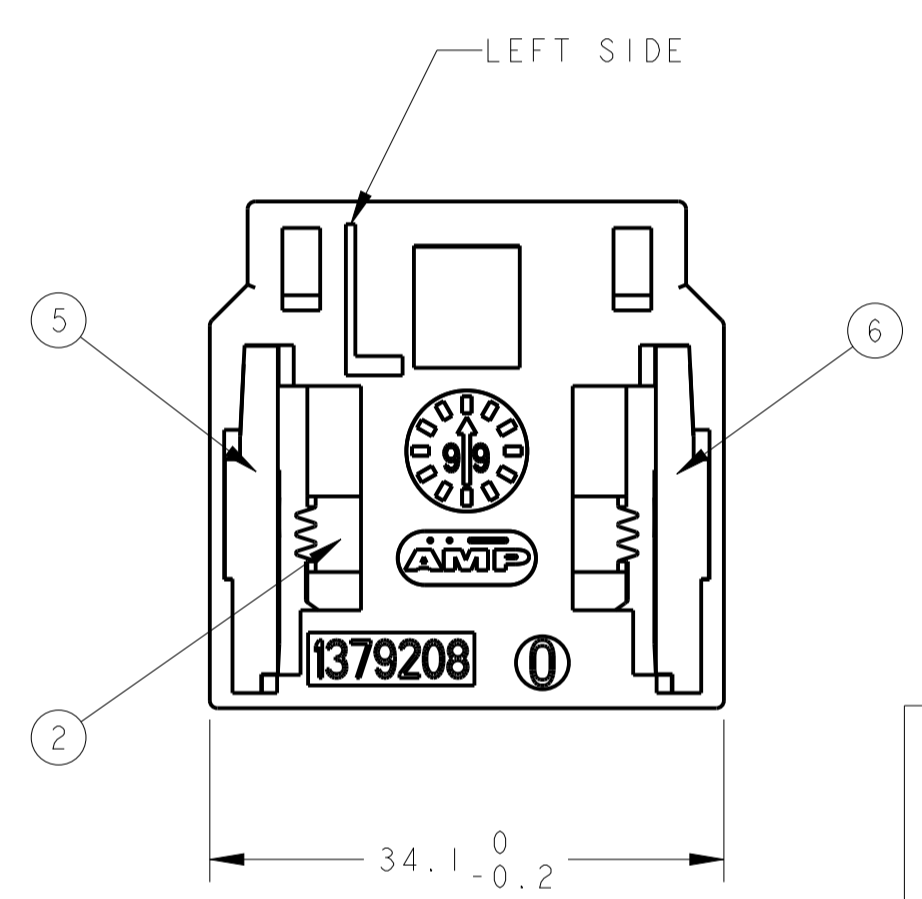
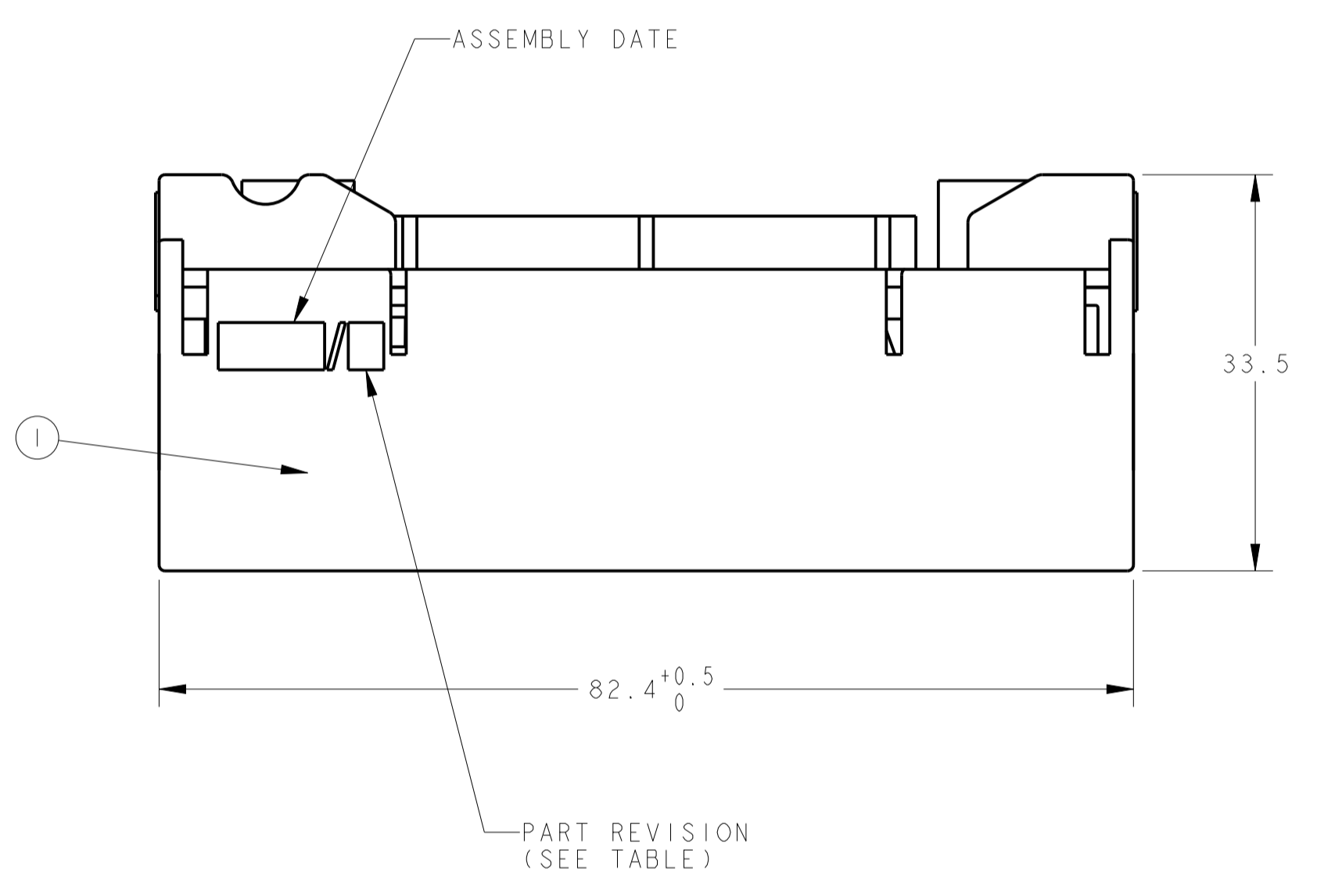
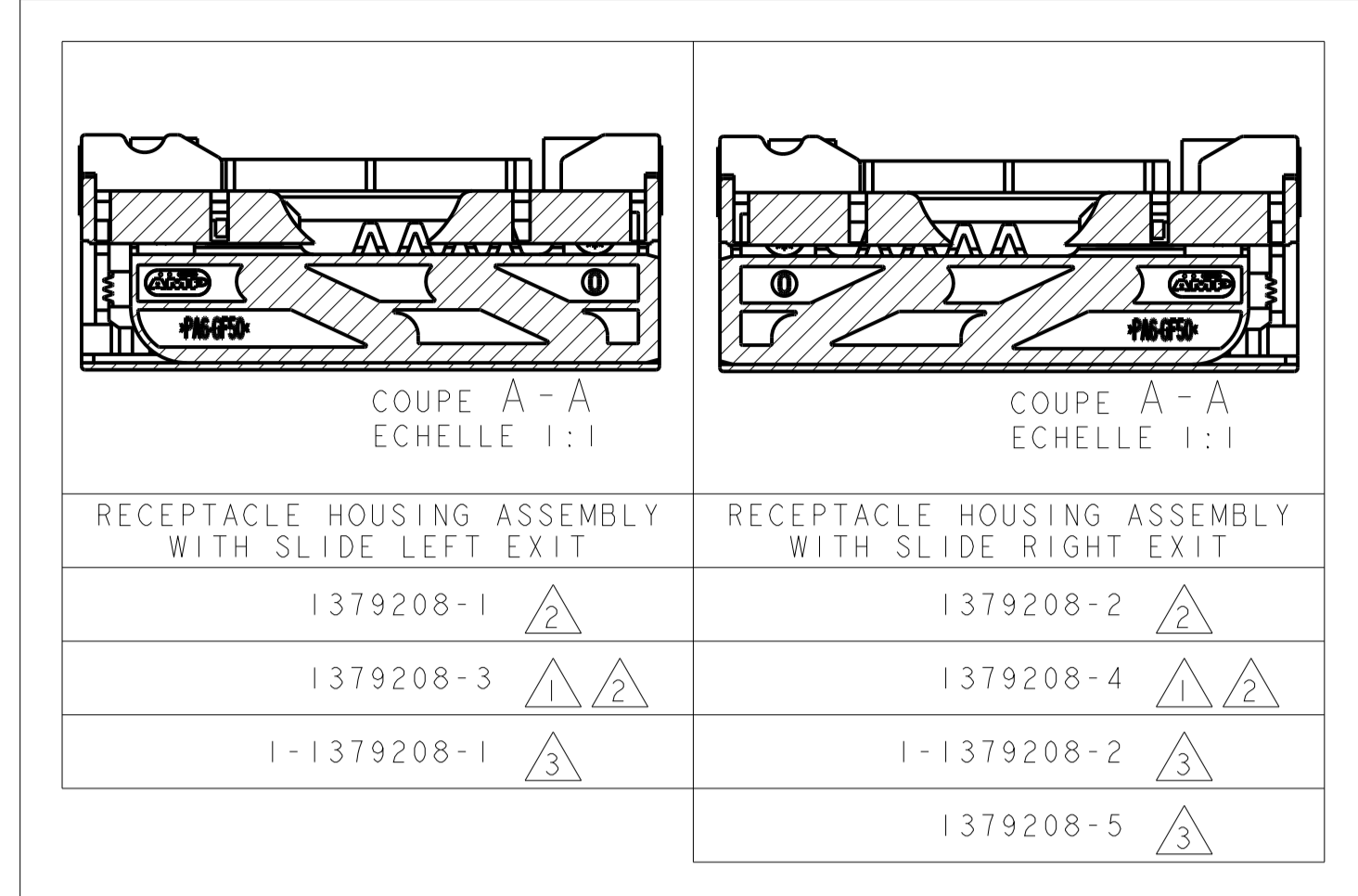
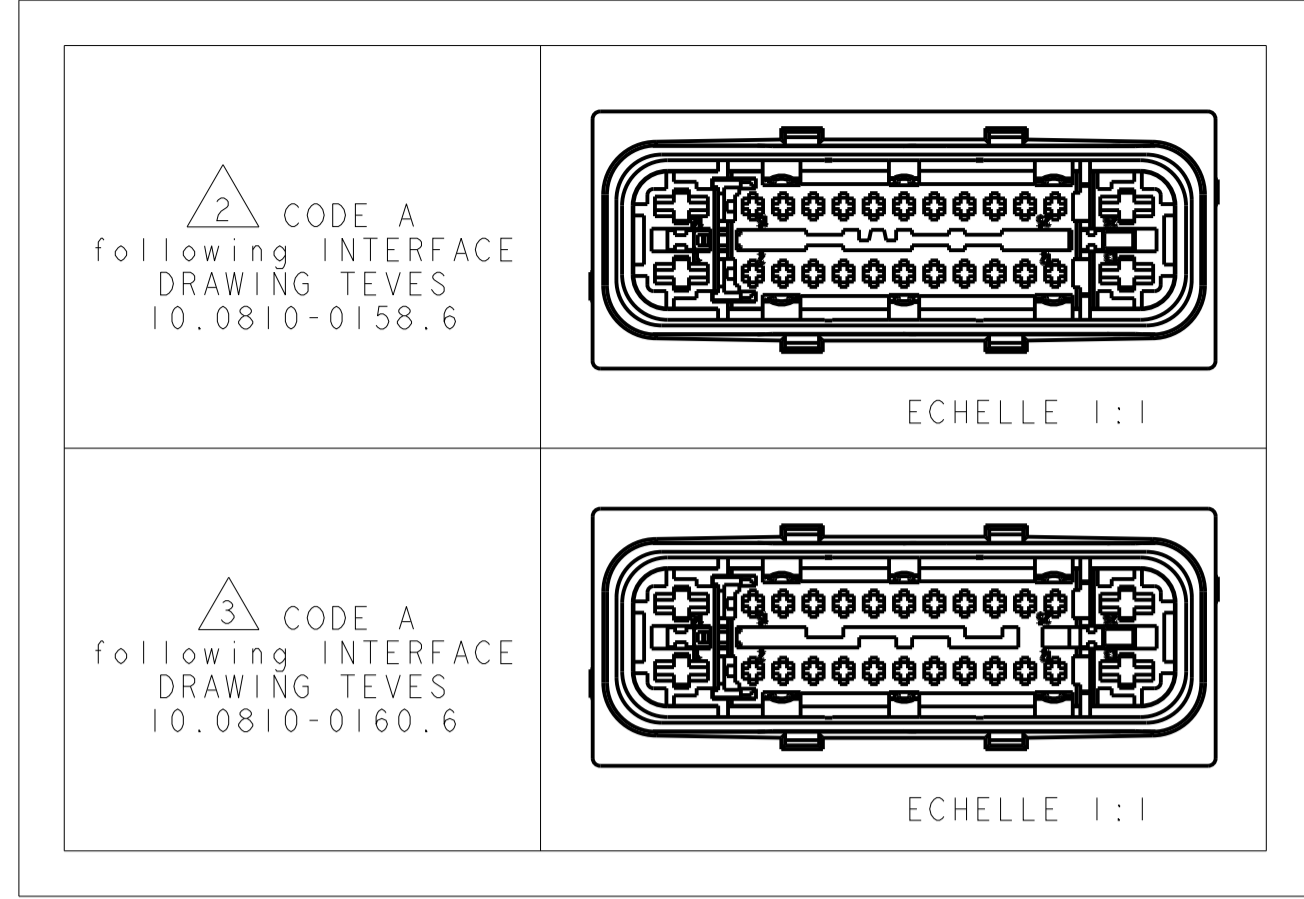
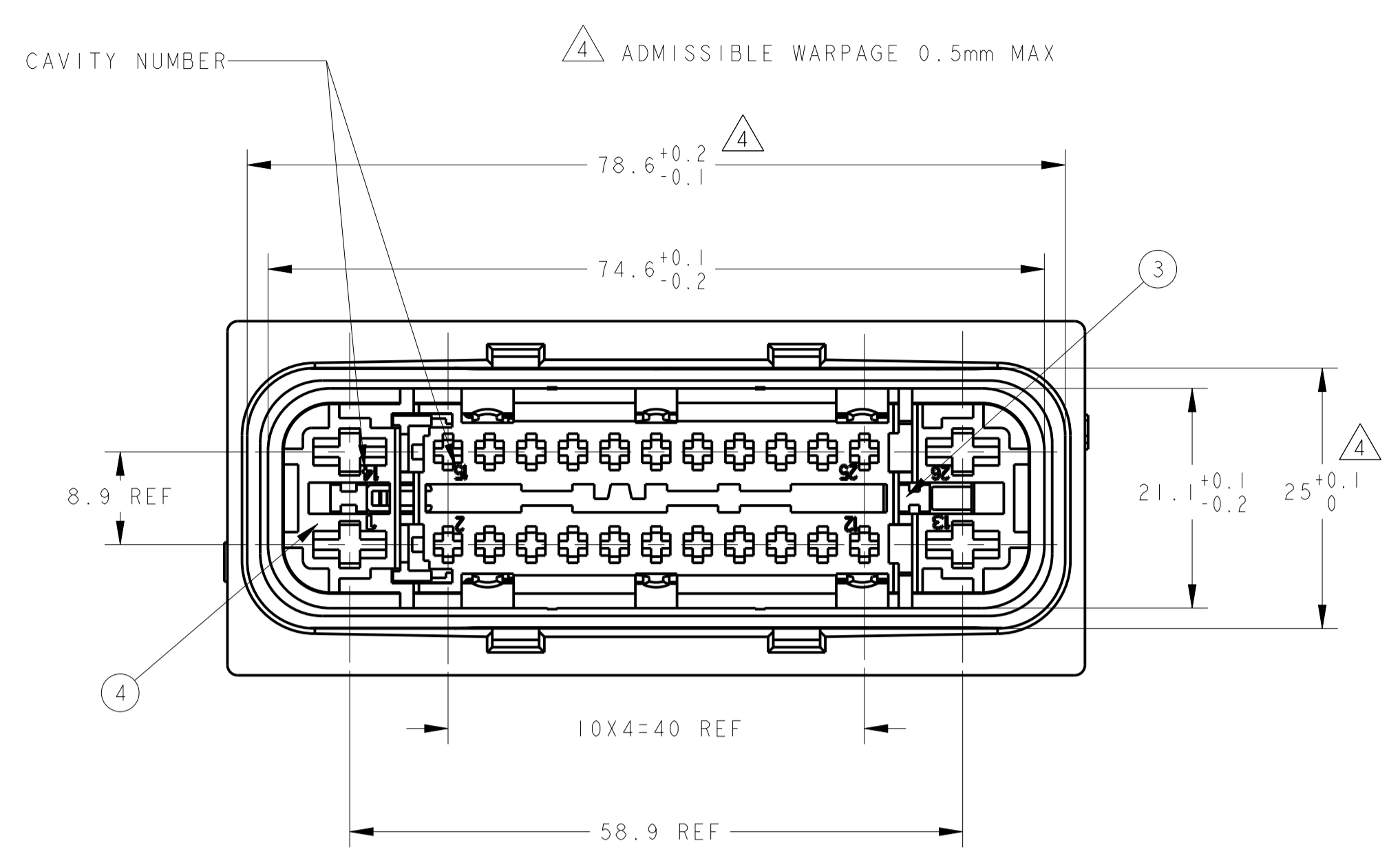


LOC		DIST		REVISIONS			
F	00	P	LTN	DESCRIPTION	DATE	DMN	APVD
J				NEW SYSTEM OF SECONDARY LOCKING	15FEB2008	DB	JJR
K				NEW MOLD FOR THE 2ND LOCKING	22JUN2012	DB	JJR
L				NEW MOLDS FOR THE PLASTIC COMPONENTS	14DEC2012	DB	JJR
M				ADD 1379208-5 FOR CHINESE MARKET ONLY	22OCT2014	DB	JPP



QTY	UNIT	UNIT	UNIT	UNIT	UNIT	UNIT	UNIT	COLOR	MATERIAL	DESIGNATION	ITEM
1								YELLOW	PA6 GF 50%	MATING SLIDE	6
1								YELLOW	PA6 GF 50%	MATING SLIDE	5
1								BLACK	PBT GF 30%	RECEPTACLE HOUSING CODE A following INTERFACE TEVES 10.0810-0160.6	4
1								BLUE	PBT GF 30%	RECEPTACLE HOUSING CODE A following INTERFACE TEVES 10.0810-0158.6	4
1								RED	PA6 GF 50%	SECONDARY LOCKING	3
1								ORANGE	SILICON	INTERFACIAL SEAL	2
1								GRAY	PBT GF 30%	UPPER RECEPTACLE HOUSING WITH BLOCKED UP CAVITIES N°4, 7, 10, 13, 15, 16, 17	1
1								BLUE	PBT GF 30%	UPPER RECEPTACLE HOUSING	1

X-1379208-X							PART REVISION CODE
(M)	-5 (3)	1-1-2 (3)	1-1-1 (3)	-4 (1, 2)	-3 (1, 2)	-2 (2)	
E	E	E	E	E	E	E	(K) (L)

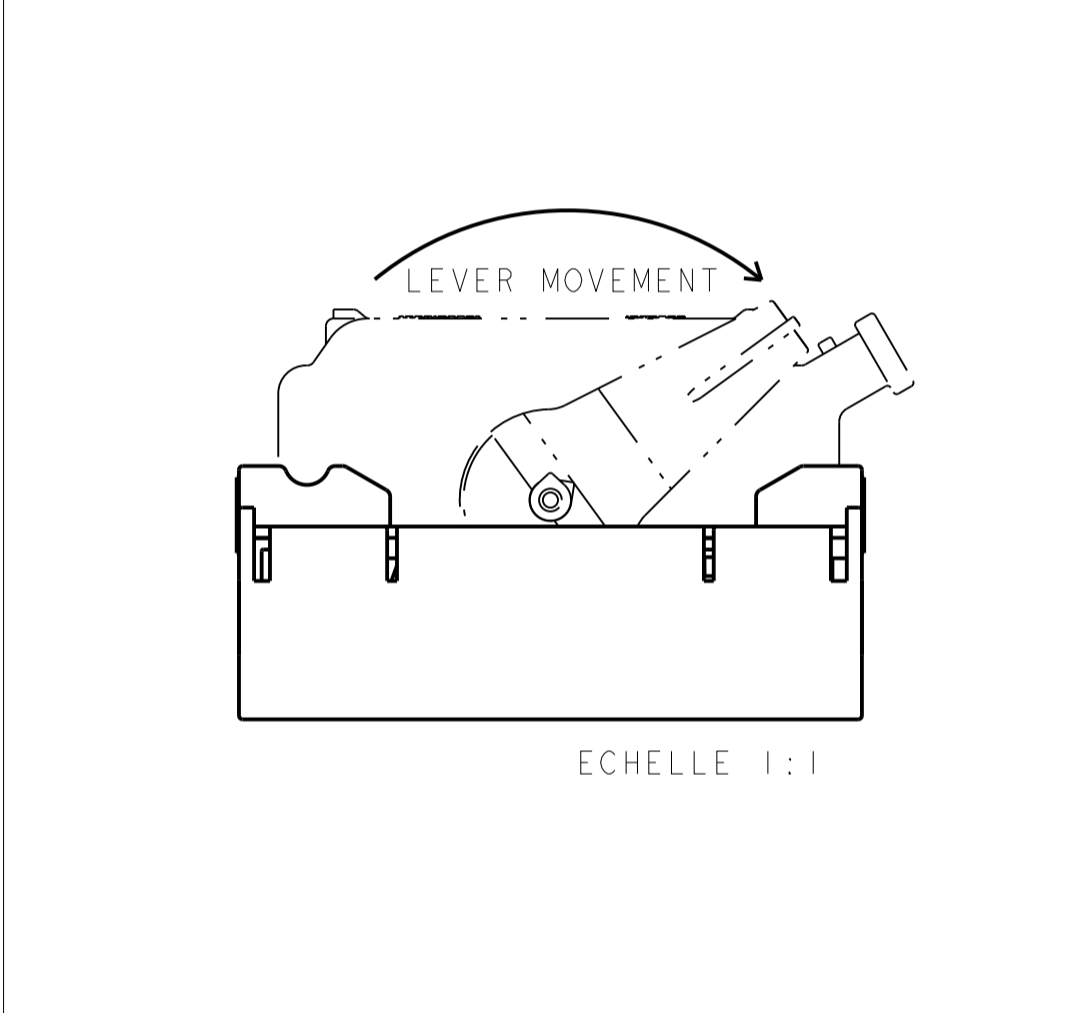
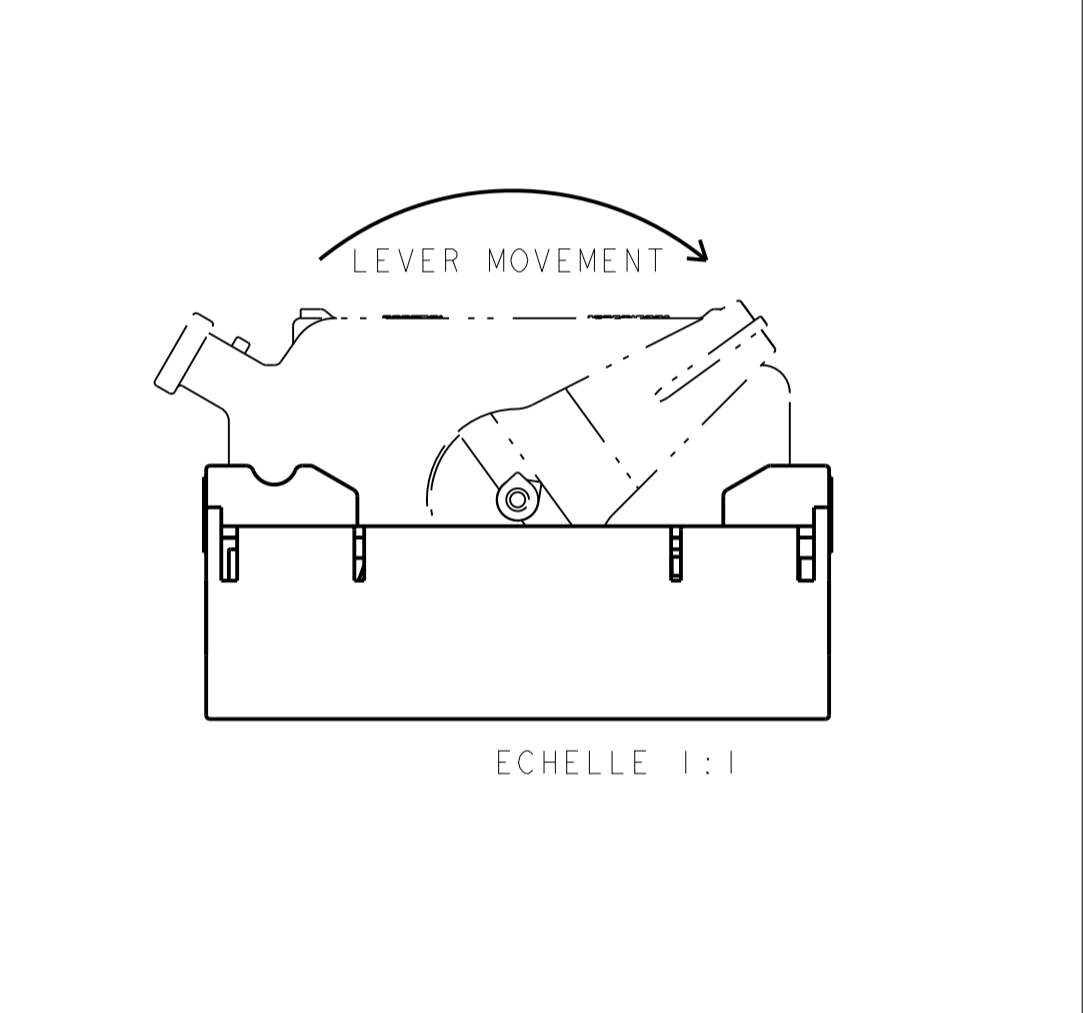
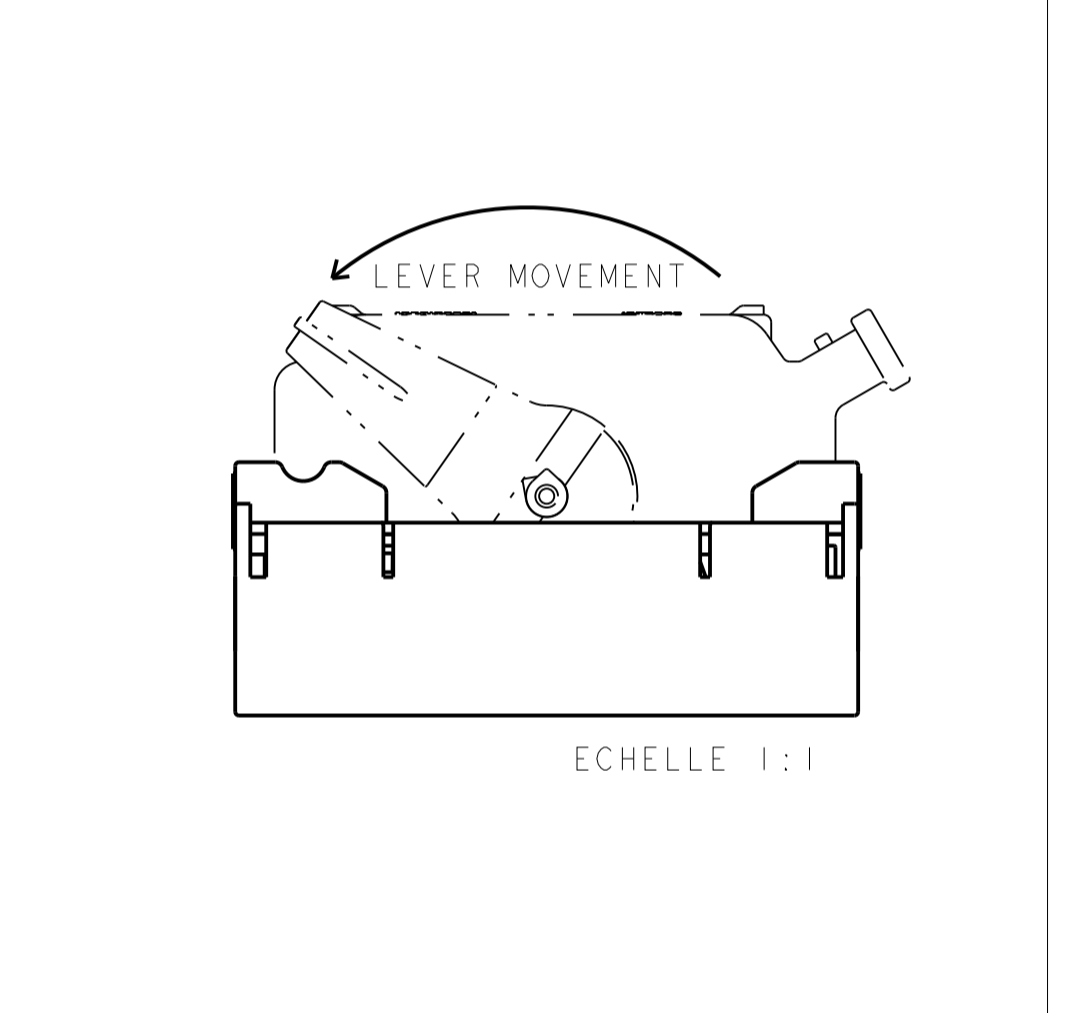
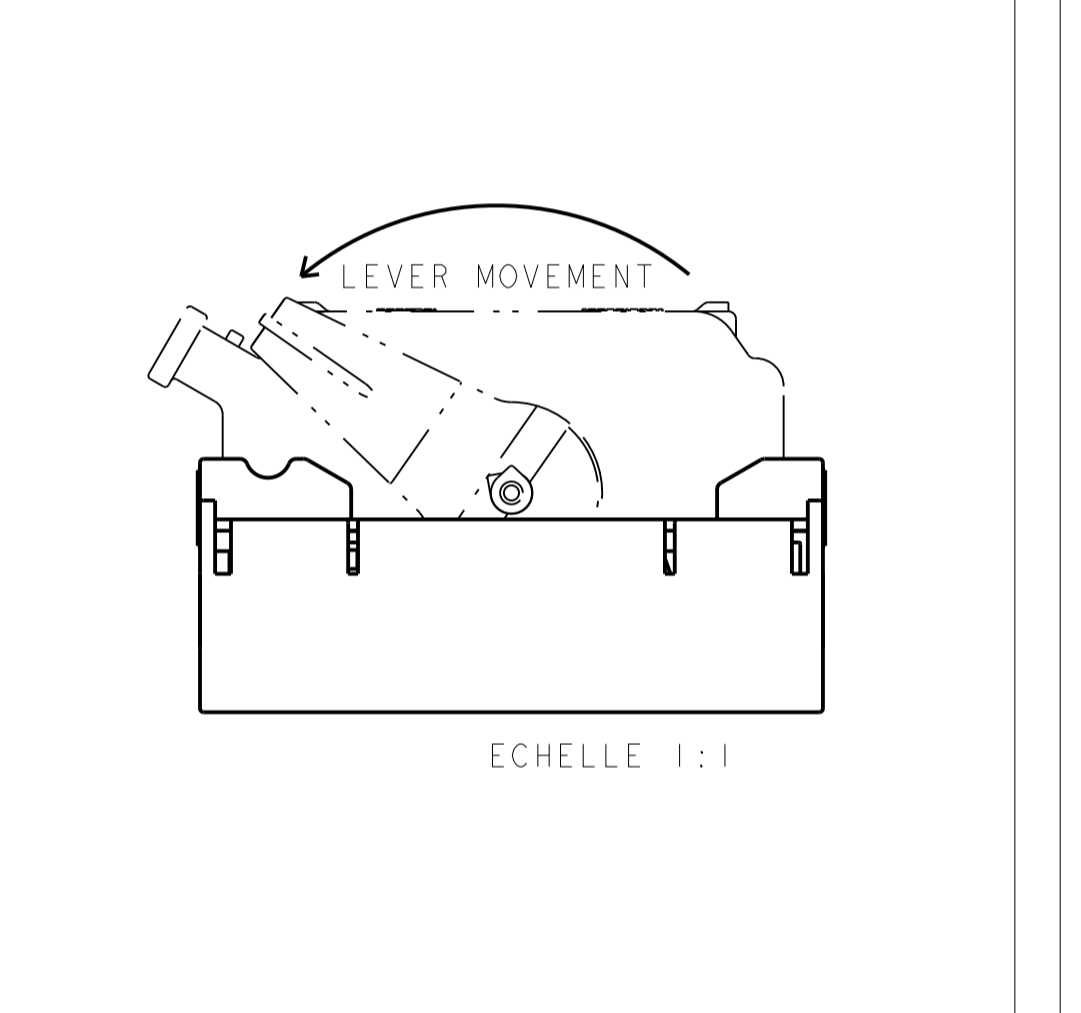
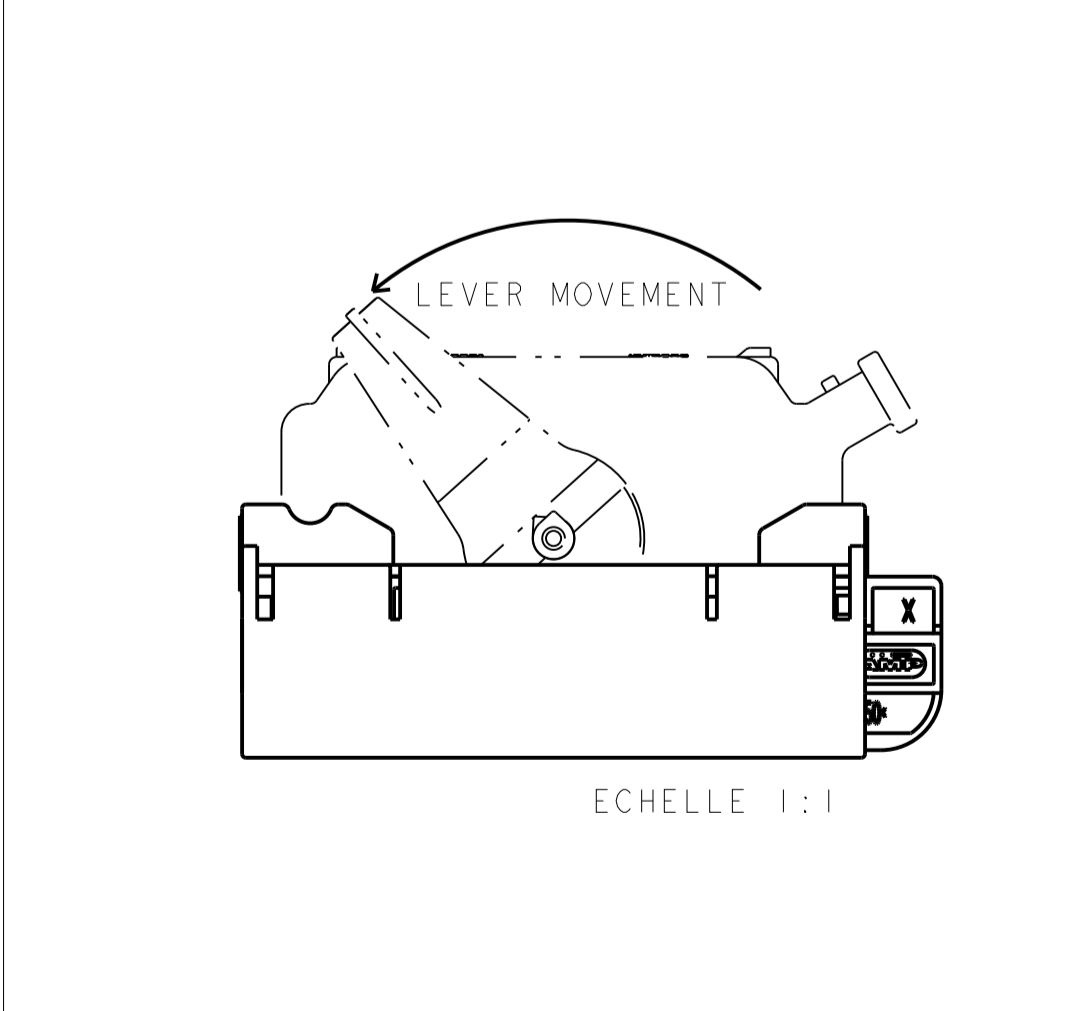
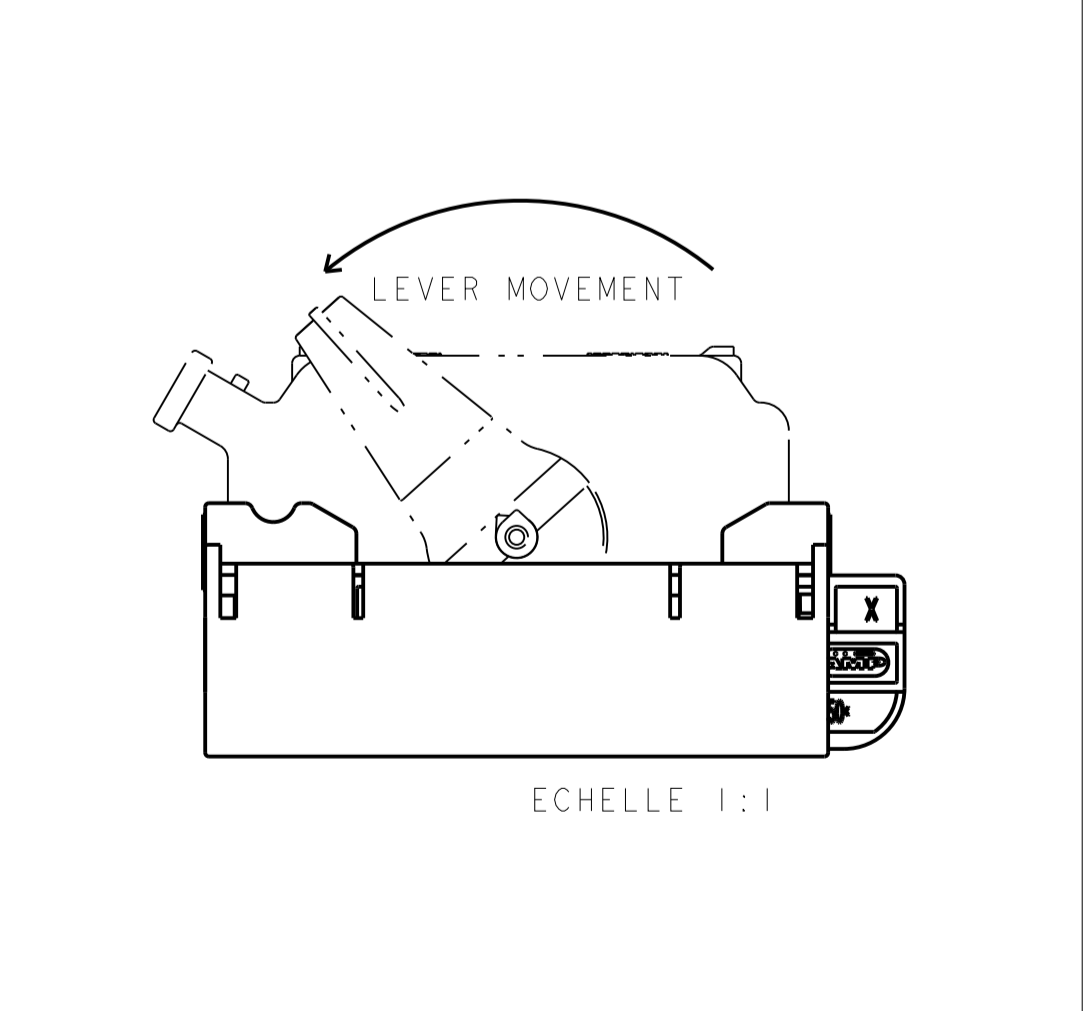
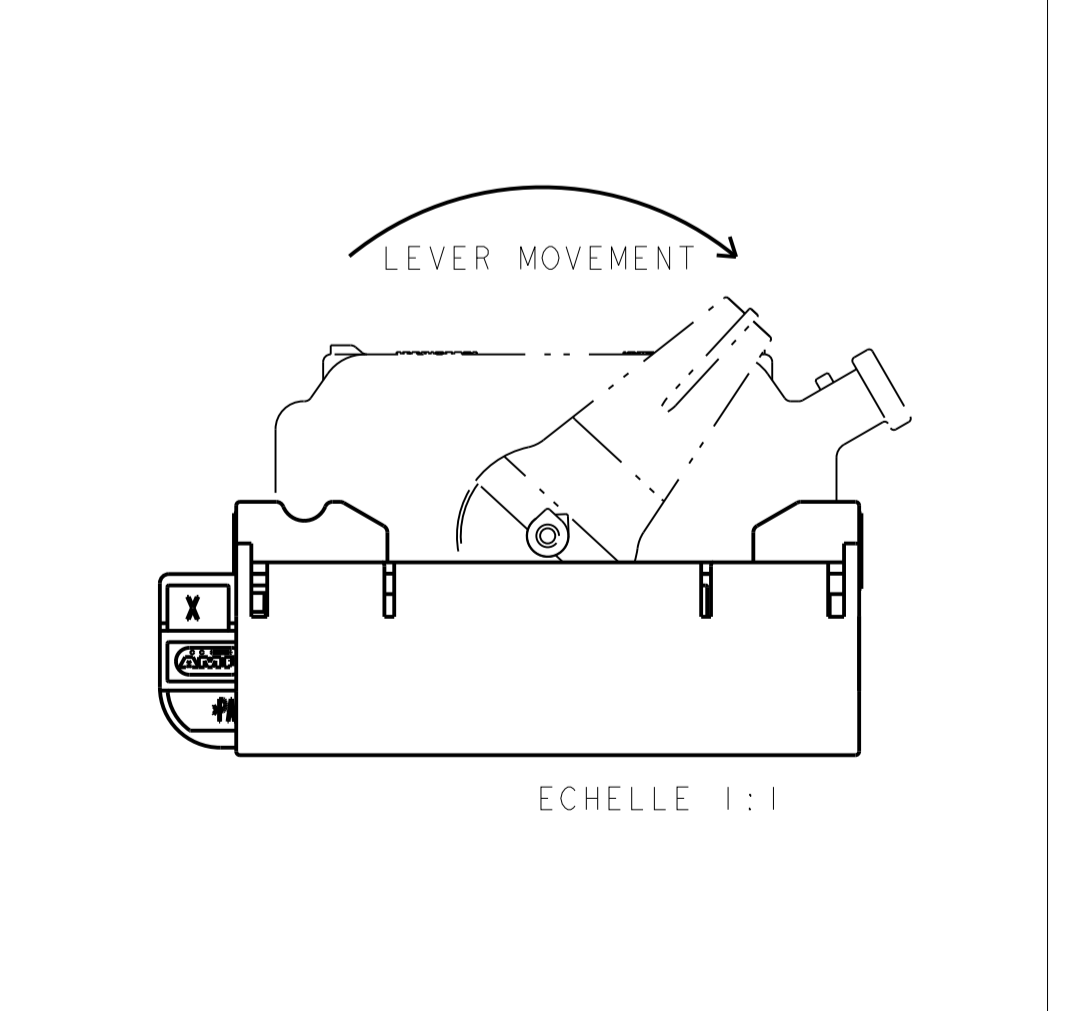
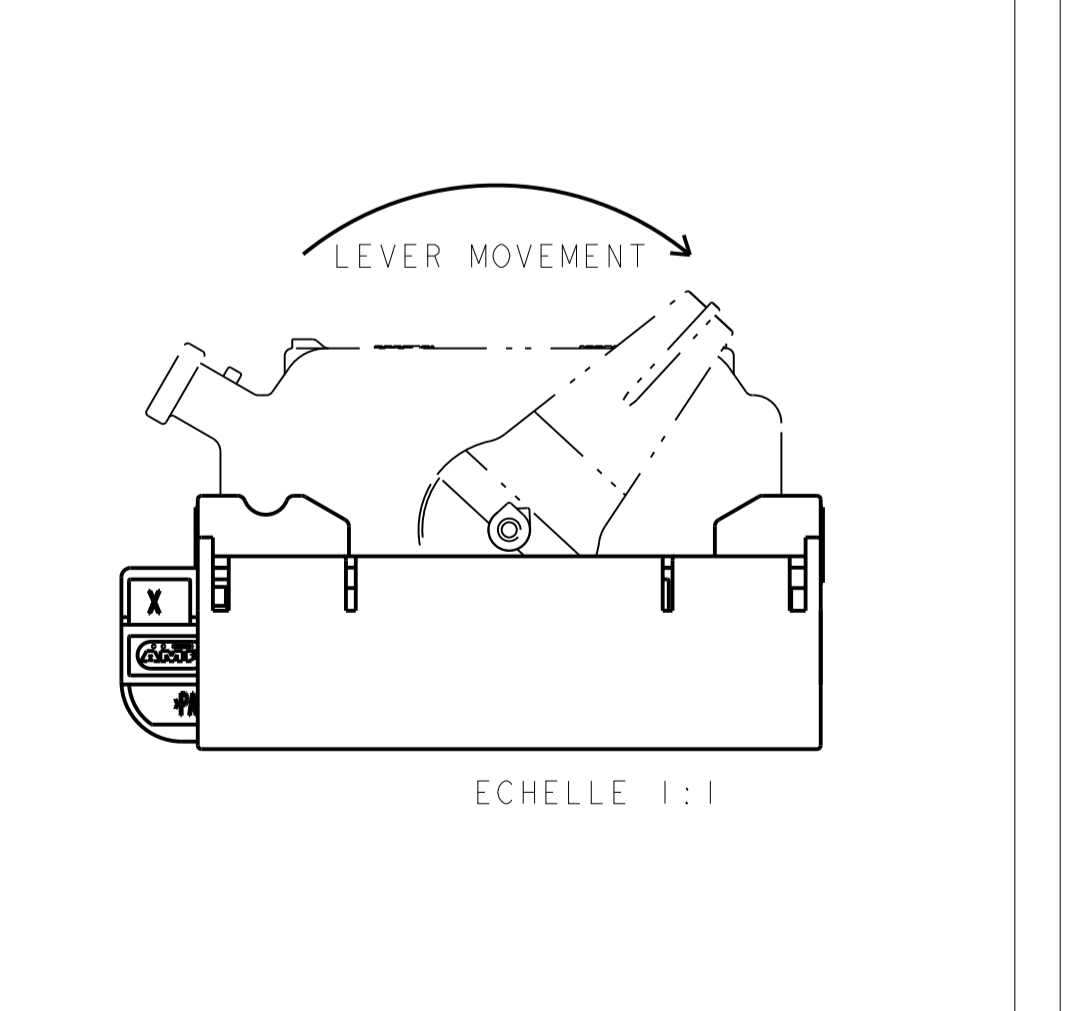
FOR CHINESE MARKET ONLY


THIS DRAWING IS A CONTROLLED DOCUMENT.

DIMENSIONS:	TOLERANCES UNLESS OTHERWISE SPECIFIED:	OWN: D. BANCE 04SEP2000	CHK: JP. PICAUD 04SEP2000	APVD: JL REV11 04SEP2000
mm	0 PLC ± 1 PLC ±0.2 2 PLC ± 3 PLC ± 4 PLC ± ANGLES ±0.1	NAME: 26 WAY ASSY RECEPTACLE HOUSING	PRODUCT SPEC: 108-15245	APPLICATION SPEC: 411-15640
MATERIAL: VOIR TABLEAU	FINISH: -	WEIGHT: 54 grs	SIZE: 100779	DRAWING NO: C=1379208

Customer Drawing SCALE 2:1 SHEET 1 OF 2 REV M

LOC		DIST		REVISIONS			
F	00	P	LTN	DESCRIPTION	DATE	DMN	APVD
-	-	-	-	SEE SHEET 1	-	-	-

PN 1379208-2 (RECEPTACLE HOUSING) WITH PN 1379209-1 (COVER)	PN 1379208-2 (RECEPTACLE HOUSING) WITH PN 1379209-2 (COVER)	PN 1379208-1 (RECEPTACLE HOUSING) WITH PN 1379209-2 (COVER)	PN 1379208-1 (RECEPTACLE HOUSING) WITH PN 1379209-1 (COVER)
MATING	MATING	MATING	MATING
			
UNMATING	UNMATING	UNMATING	UNMATING
			

THIS DRAWING IS A CONTROLLED DOCUMENT.		DMN D_BANCE 04SEP2000	 TE Connectivity NAME 26 WAY ASSY RECEPTACLE HOUSING PORTE-CLIPS ETANCHE 26 VOIES
DIMENSIONS: mm		CHK JP_PICAUD 04SEP2000	
TOLERANCES UNLESS OTHERWISE SPECIFIED: 0 PLC ± 1 PLC ±0.2 2 PLC ± 3 PLC ± 4 PLC ± ANGLES ±0.5°		APVD JJ_REV11 04SEP2000	
MATERIAL VOIR TABLEAU		FINISH -	
PRODUCT SPEC 108-15245 APPLICATION SPEC 411-15640 WEIGHT - SCALE 2:1 SHEET 2 OF 2 REV M		CAGE CODE DRAWING NO A100779C=1379208 Customer Drawing	RESTRICTED TO