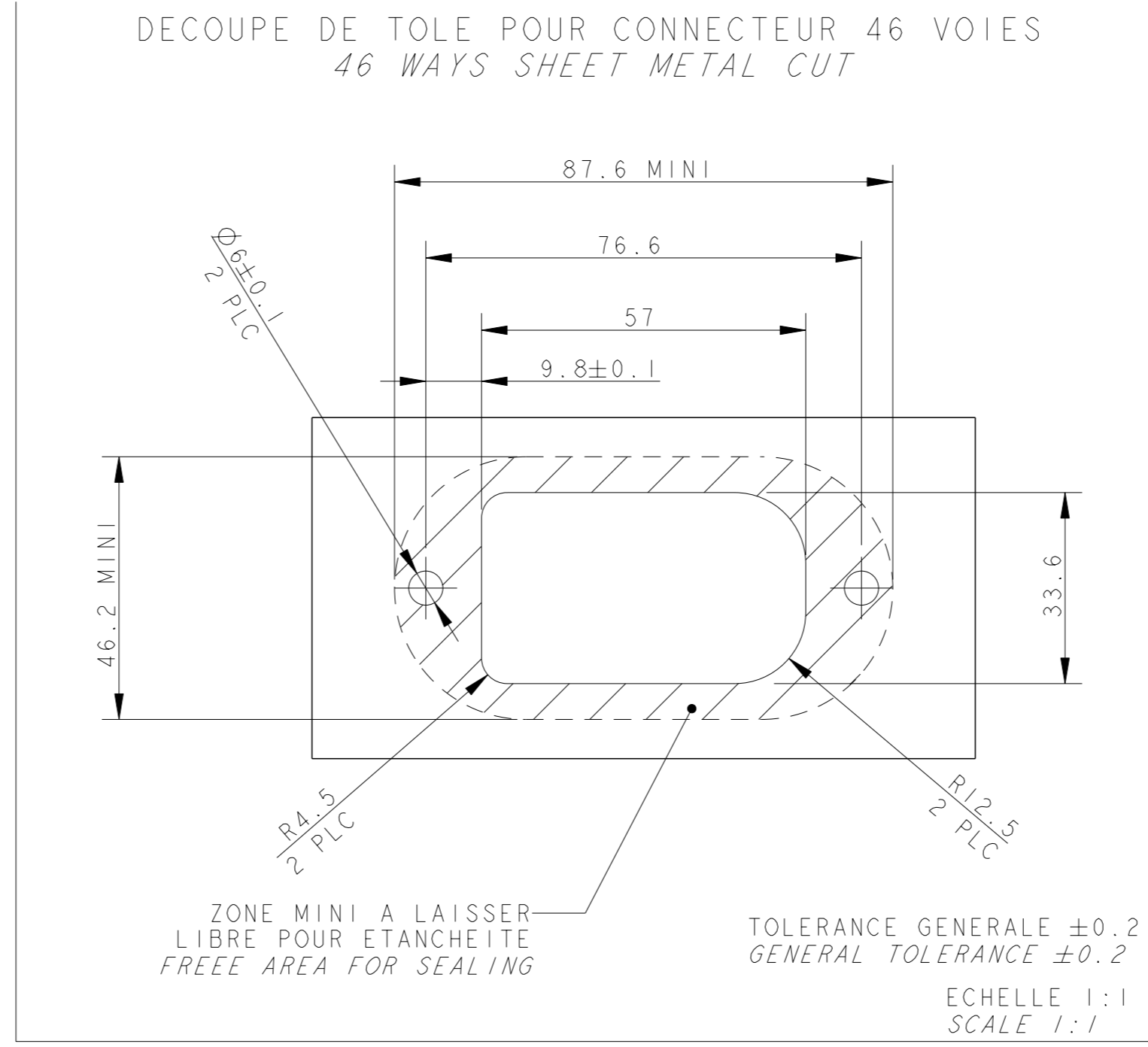
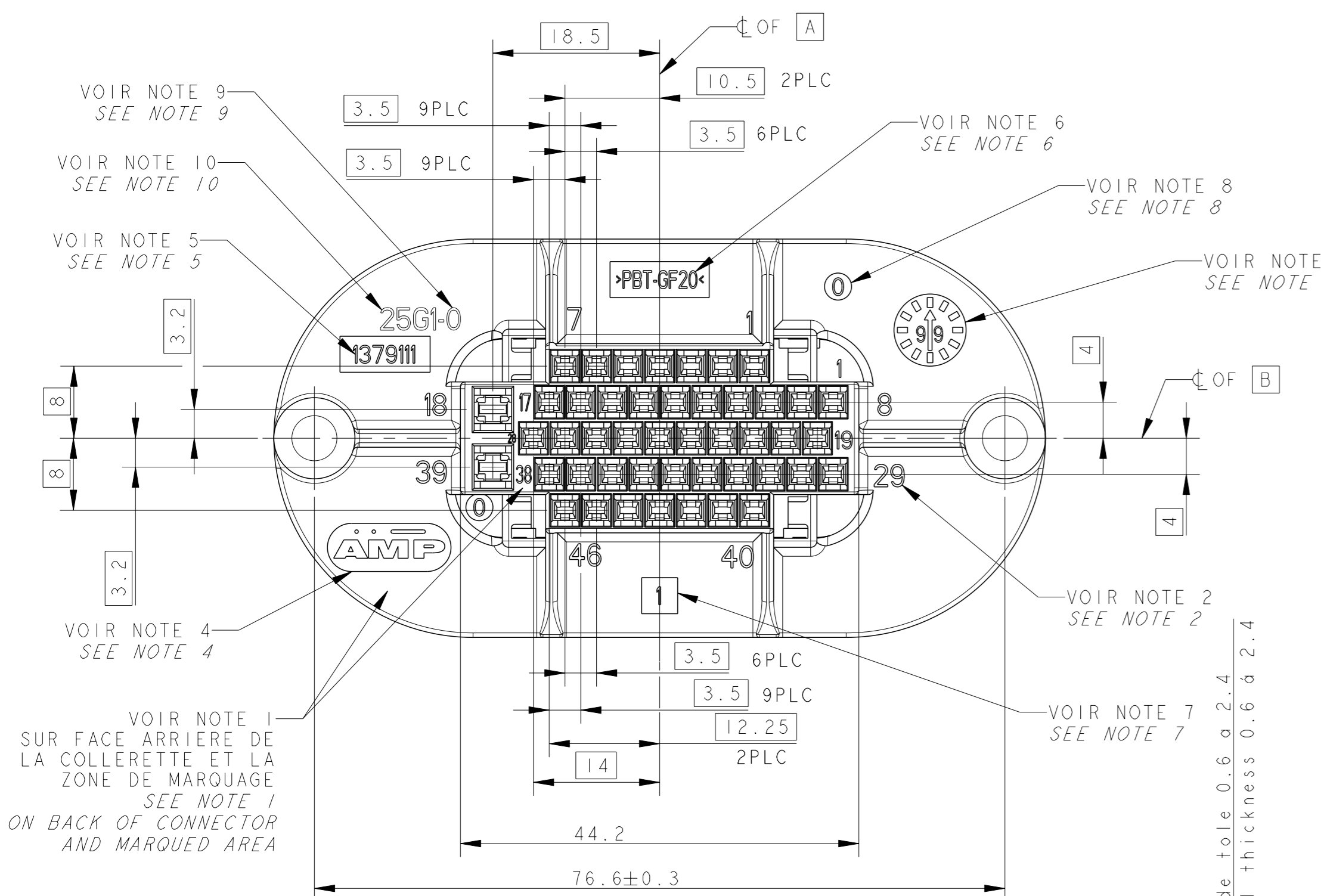


| REVISIONS |     |             |           |          |
|-----------|-----|-------------|-----------|----------|
| #         | LT# | DESCRIPTION | DATE      | OWN APVD |
| A         |     | NEW DRAWING | 18AUG2014 | MN JD    |

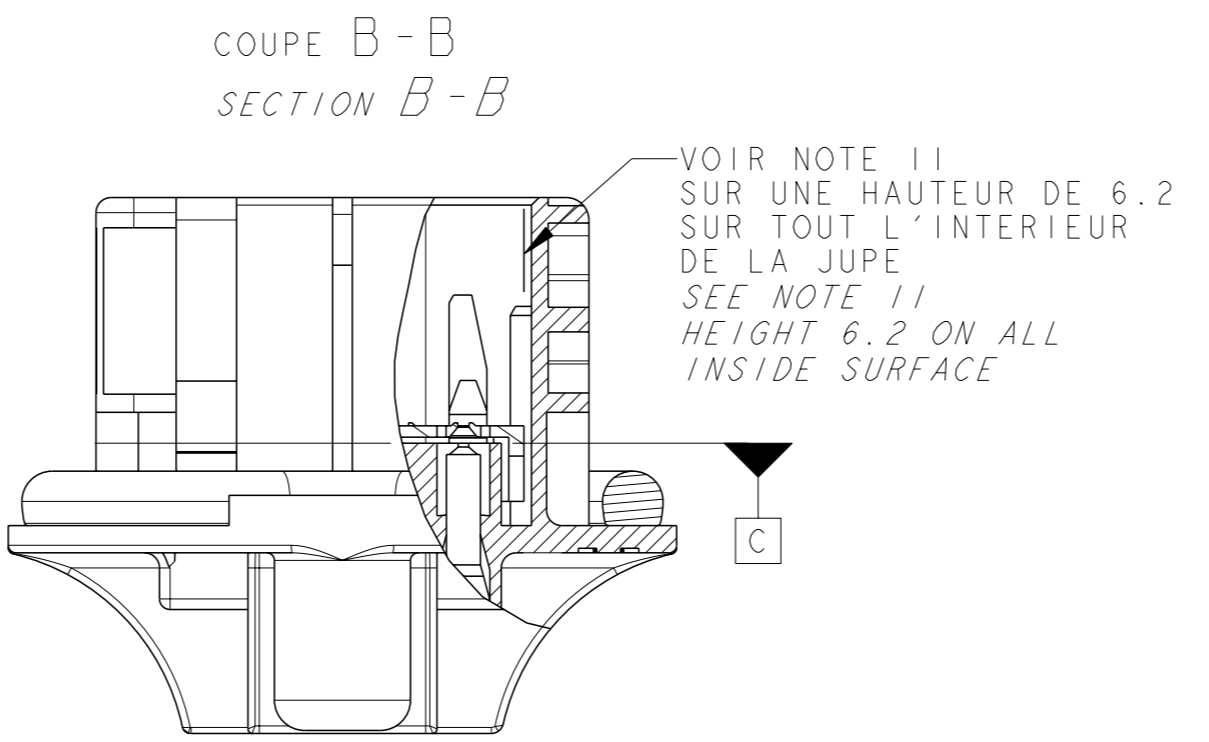
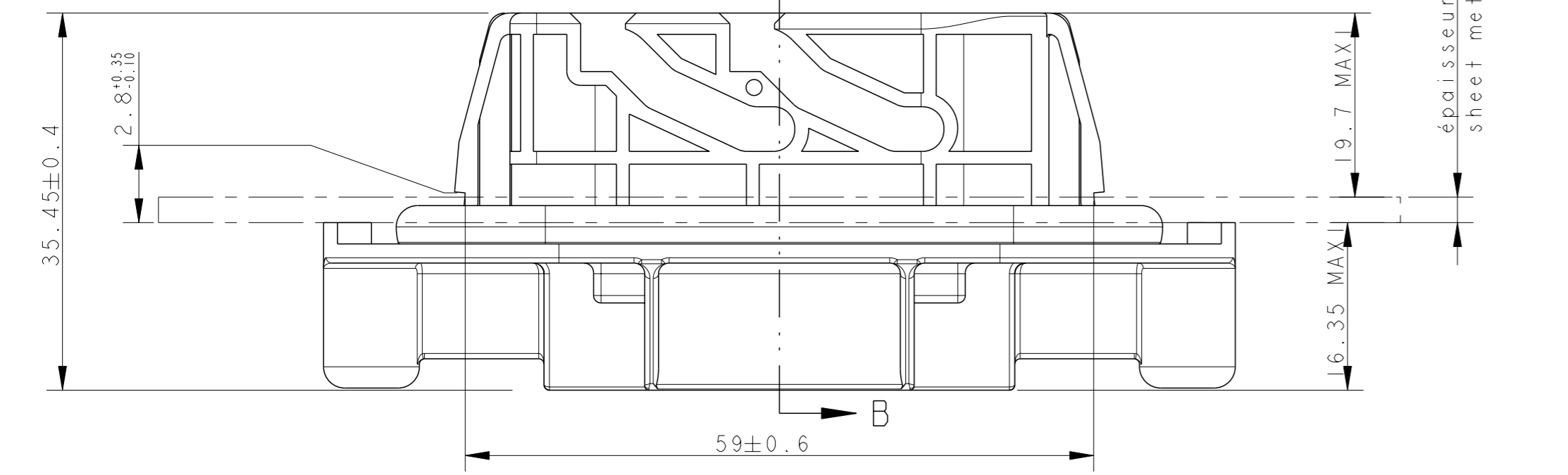


| Rep | Qté | DESIGNATION/description                                       | MATIERE/material       | COULEUR/color |
|-----|-----|---|------------------------|---------------|
| 2   | 1   | GRILLE DE PROTECTION/tab grid                                 | PBT GF-20              | GREY/gris     |
| 1   | 1   | PORTE-LANGUETTES/tab housing avec joint mousse/with foam seal | PBT GF-20 polyurethane | NOIR/black    |

**CONTACT ASSOCIES ASSOCIATED TERMINALS**

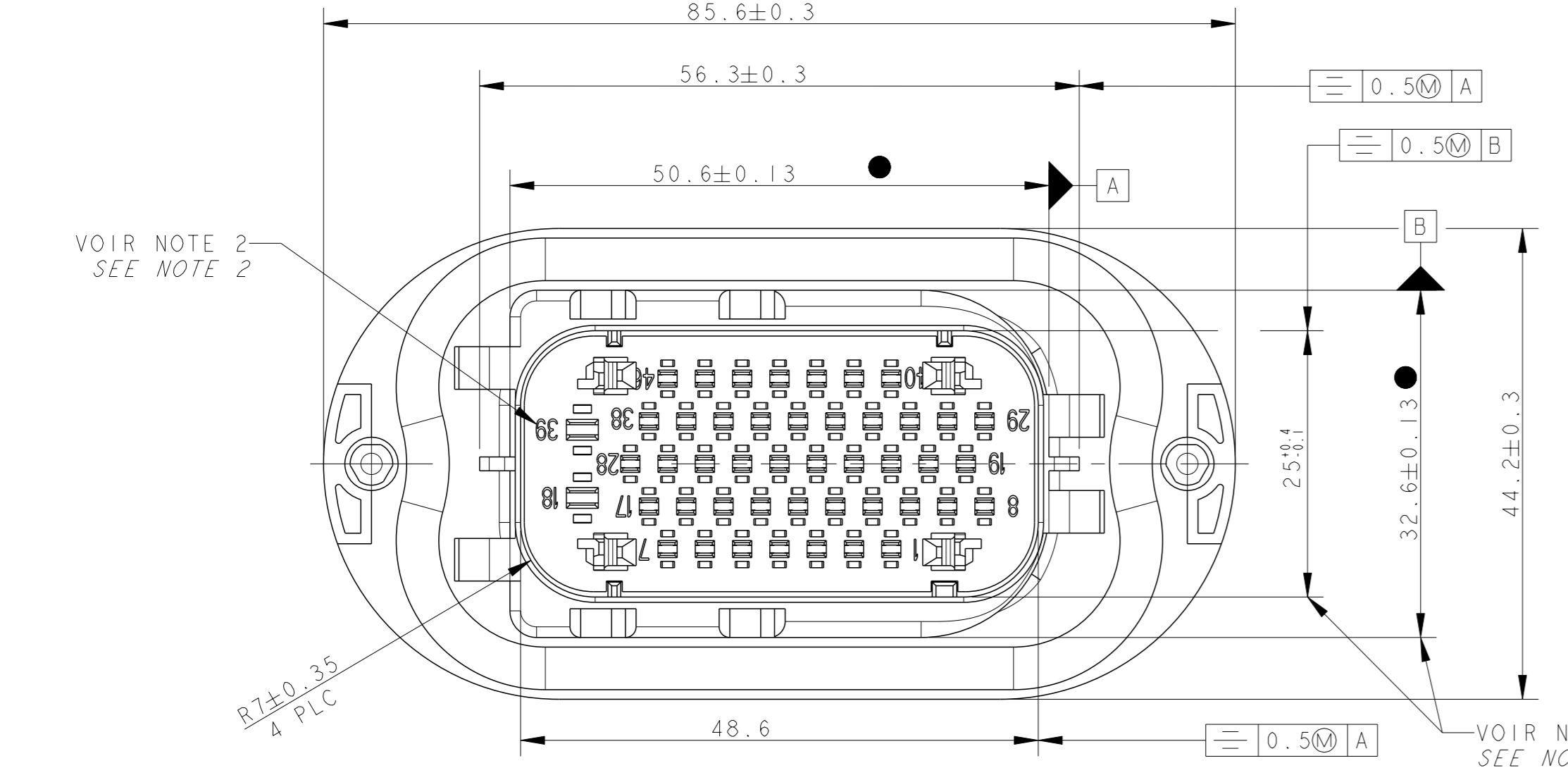
| CONTACT TERMINAL | REF/PN TE | SECTION DE FIL WIRE SECTION | FINITION TREATMENT   |
|------------------|-----------|-----------------------------|----------------------|
| langette/tab mt2 | 963898-1  | 0.2-0.5 mm <sup>2</sup>     | pré-étamé/pre-tinned |
| ou/or            | 963900-1  | 0.5-1 mm <sup>2</sup>       | pré-étamé/pre-tinned |
| ou/or            | 185020-1  | 0.35-1 mm <sup>2</sup>      | pré-étamé/pre-tinned |
| ou/or            | 1241846-1 | 1.4-1.5 mm <sup>2</sup>     | pré-étamé/pre-tinned |
| ou/or            | 1241846-2 | 1.4-1.5 mm <sup>2</sup>     | pré-étamé/pre-tinned |
| ou/or            | 1241846-3 | 1.4-1.5 mm <sup>2</sup>     | doré/gold plated     |
| ou/or            | 963898-3  | 0.2-0.5 mm <sup>2</sup>     | doré/gold plated     |
| ou/or            | 963900-3  | 0.5-1 mm <sup>2</sup>       | doré/gold plated     |
| langette/tab jpt | 185021-1  | 0.35-1 mm <sup>2</sup>      | pré-étamé/pre-tinned |
| ou/or            | 185022-1  | 1-3 mm <sup>2</sup>         | pré-étamé/pre-tinned |

RESPECTER UNE COHERENCE ENTRE LES CONTACTS CLIPS ET LANGUETTES  
RESPECT A COHERENT ASSOCIATION BETWEEN RECEPTACLES AND TABS



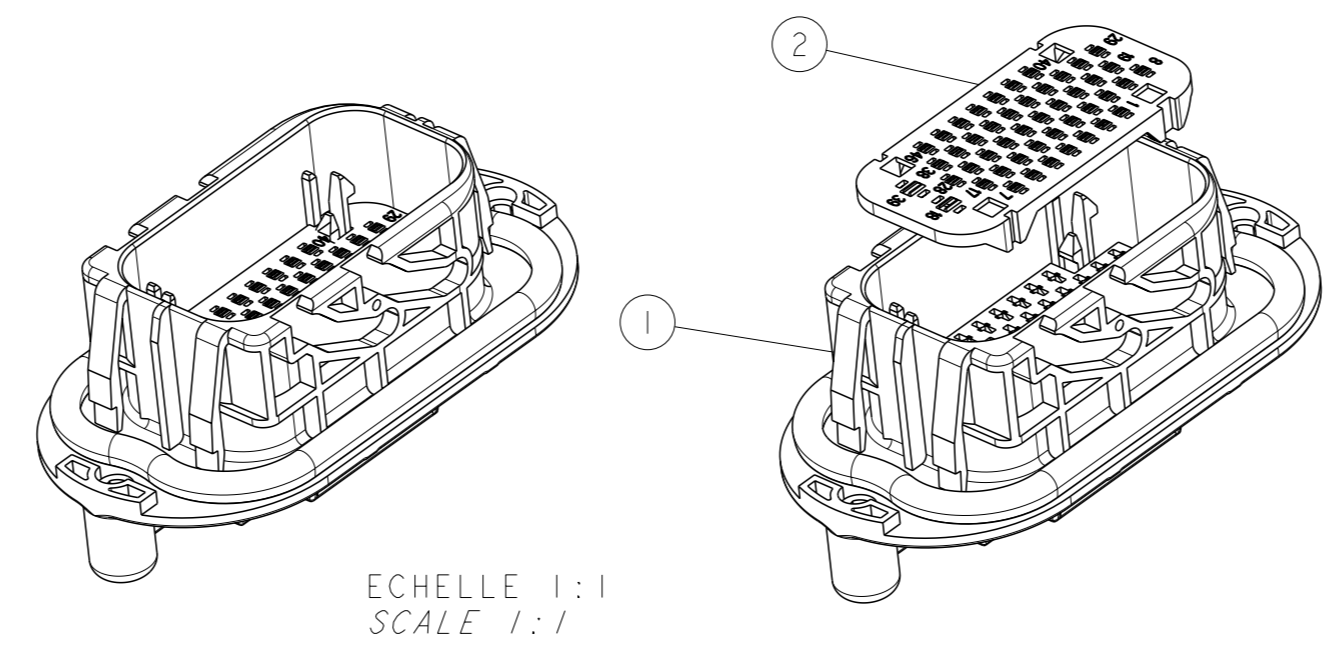
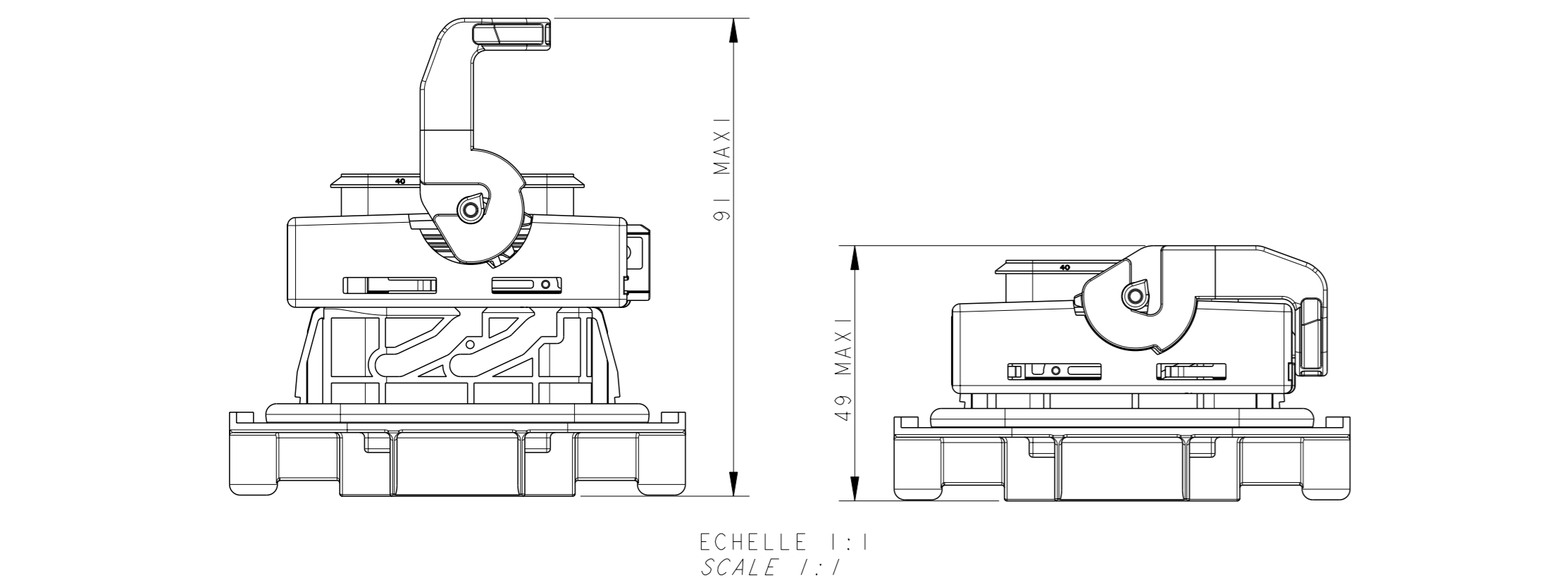
**REFERENCE DES COMPOSANTS COMPONENTS PART NUMBER**

| REF/REF TE | REF/PN TE | INDICE DE REVISION PIECE ASSEMBLEE TE ASSEMBLY PRC |
|------------|-----------|--|
| 1379110-1  | 1379111-1 | A  |



**NOTES :**

- |  |  |
|--|--|
| <1> SURFACE FINISH FINE GRAIN (MATT)         | FINITION GRAIN CHARMILLE 24 - ETAT MAT             |
| <2> CONTACT CAVITY NUMBER                    | REPERAGE DES NUMEROS DES ALVEOLES                  |
| <3> DATE CODE Ø8                             | DATEUR Ø8  |
| <4> TE LOGO PER SPECIFICATION 115-15005-2    | LOGO TE SUIVANT SPECIFICATION 115-15005-2          |
| <5> SUPPLIER ASSEMBLY PN                     | REFERENCE FOURNISSEUR DE L'ASSEMBLAGE              |
| <6> MATERIAL IDENTIFICATION                  | IDENTIFICATION MATIERE                             |
| <7> MOLD CAVITY NUMBER                       | NUMERO DE CAVITE                                   |
| <8> PART REVISION CODE                       | INDICE DE REVISION DE LA PIECE                     |
| <9> ASSEMBLY REVISION CODE                   | INDICE DE REVISION DE LA PIECE ASSEMBLEE           |
| <10> ASSEMBLY DATE CODE                      | DATE D'ASSEMBLAGE                                  |
| <11> NO BURR, JUNCTION LINES, SURFACE DEFECT | PAS DE BAVURE, LIGNE DE FERMETURE, DEFAT D'ASPECT, |
| <12> WALL FLATNESS 0.4 MAX                   | DEFAT DE PLANEITE DES PAROIS 0.4 MAX               |
| <13> ● TOOL CAPABILITY DIMENSION             | ● COTE DE CAPABILITE OUTILLAGE                     |



THIS DRAWING IS A CONTROLLED DOCUMENT.

|                                  |   |   |   |
|----------------------------------|---|---|---|
| DIMENSIONS: mm                   | TOLERANCES UNLESS OTHERWISE SPECIFIED: ±0.3 ±0.3 ±0.100 ±0.0001 | OWN: MADHUSUDHAN N 18AUG2014<br>CHK: JP. PICAUD 18AUG2014<br>APVD: J. DAHER 18AUG2014 | NAME: 46 WAY ASSY TAB HOUSING<br>44 WAYS 1.5 + 2 WAYS 2.8<br>PORTE-LANGUETTES 46 VOIES ASSEMBLE |
| MATERIAL: VOIR TABLEAU see table | FINISH: VOIR TABLEAU see table                                  | WEIGHT: 411-15639   | SIZE: A1<br>CAGE CODE: 1379111<br>DRAWING NO: 108-15240<br>APPLICATION SPEC: 411-15639          |
| CUSTOMER DRAWING                 |   | SCALE: 2:1  | SHEET 1 OF 1 REV A  |

TE Connectivity