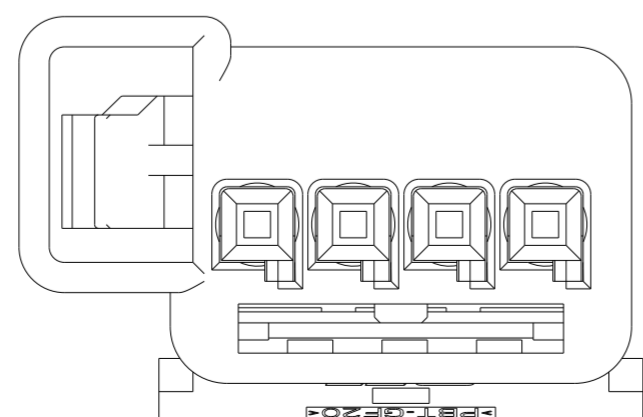
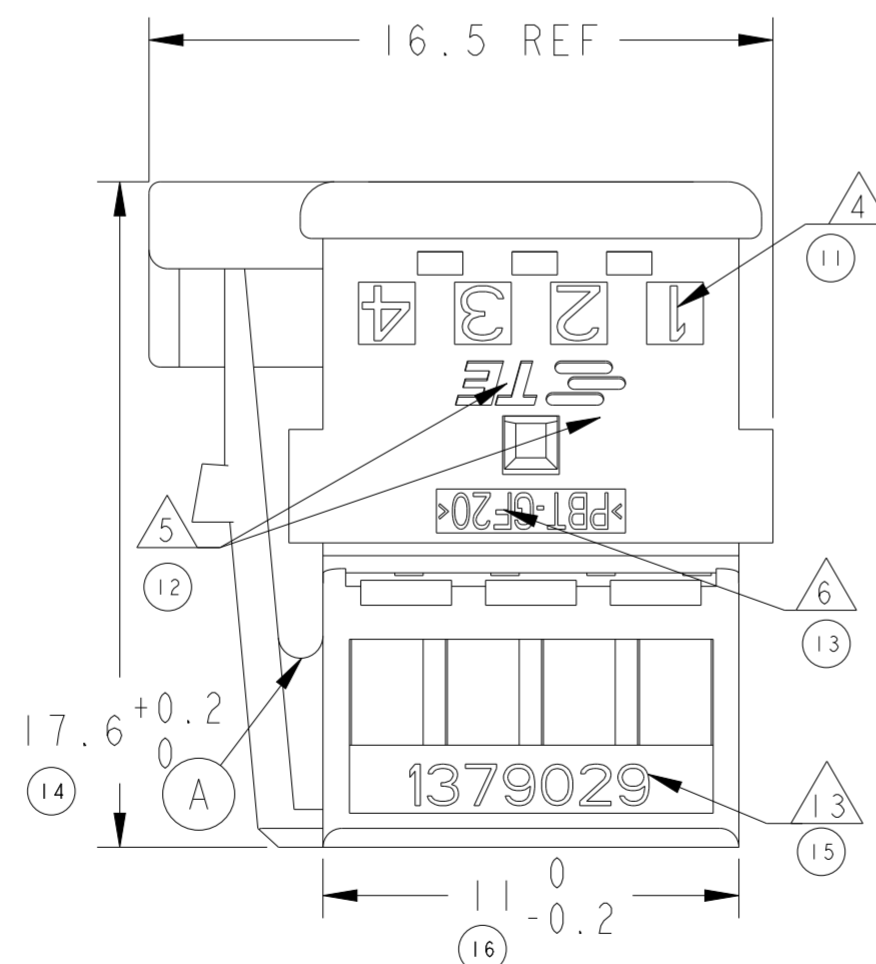
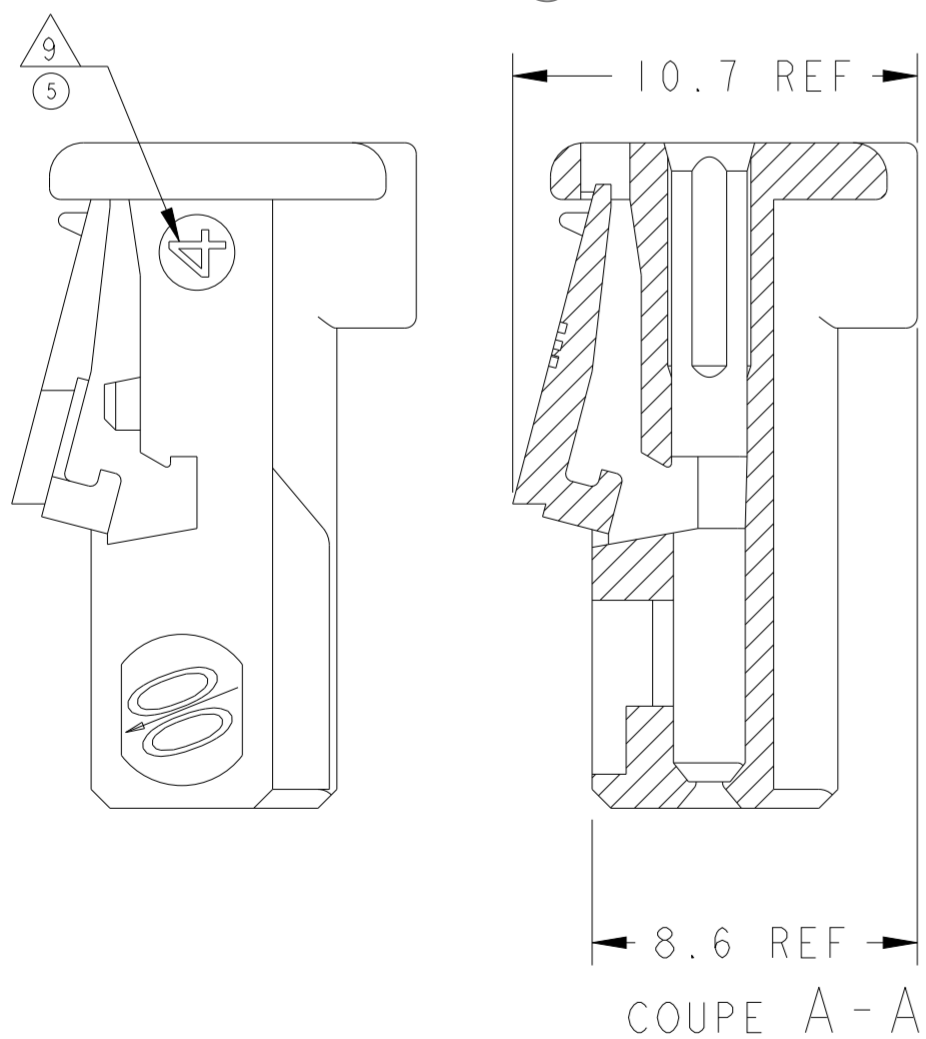
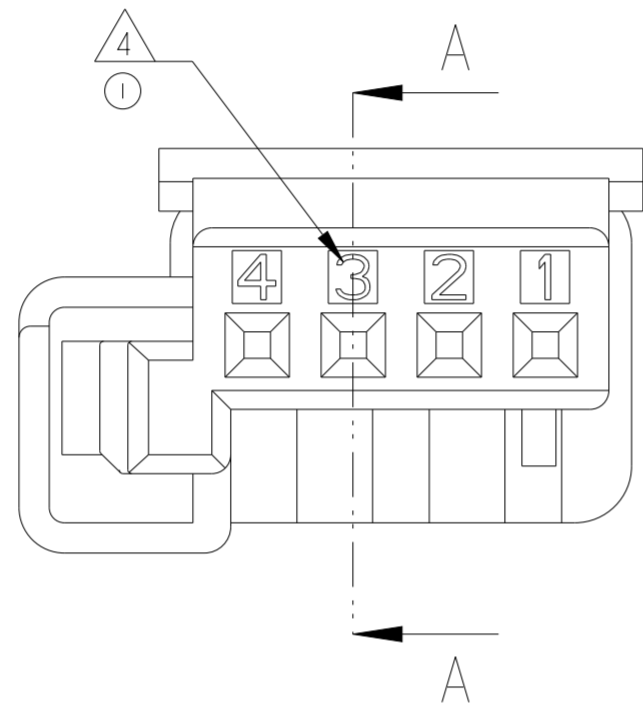
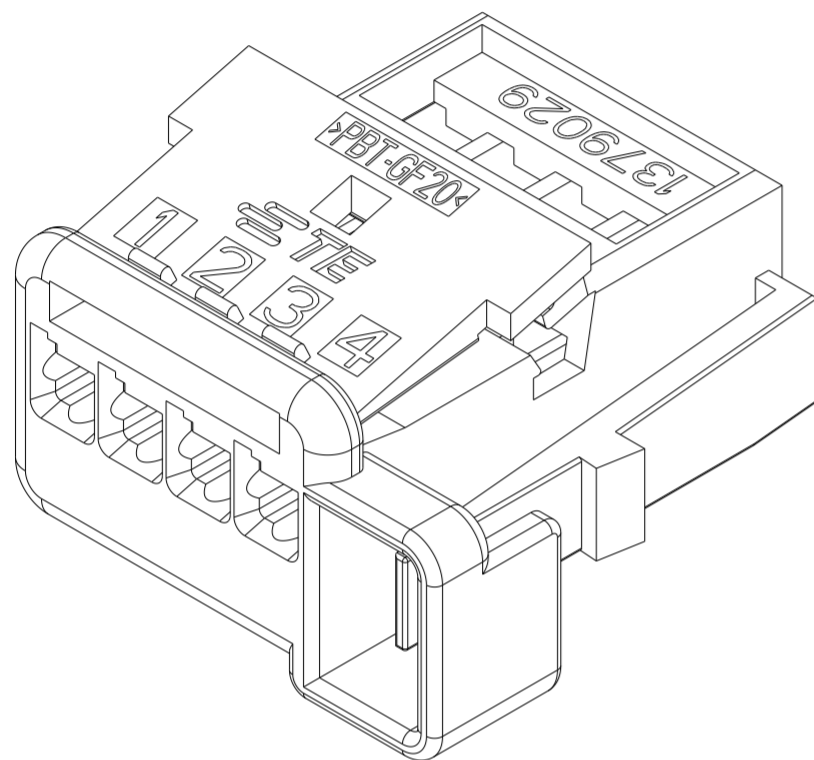


REVISIONS					
P	LTR	DESCRIPTION	DATE	DWN	APVD
A		ADD RADIUS ON THE LOCKING LANCE RIB.	22JUN2001	SA	JJR
B		TE UPDATE - MARKING POSITION UPDATED	25JAN2011	EC	XR
C		DIM X2 TOL CHANGE WAS X2+0.1/0	9AUG2022	NE	FJ

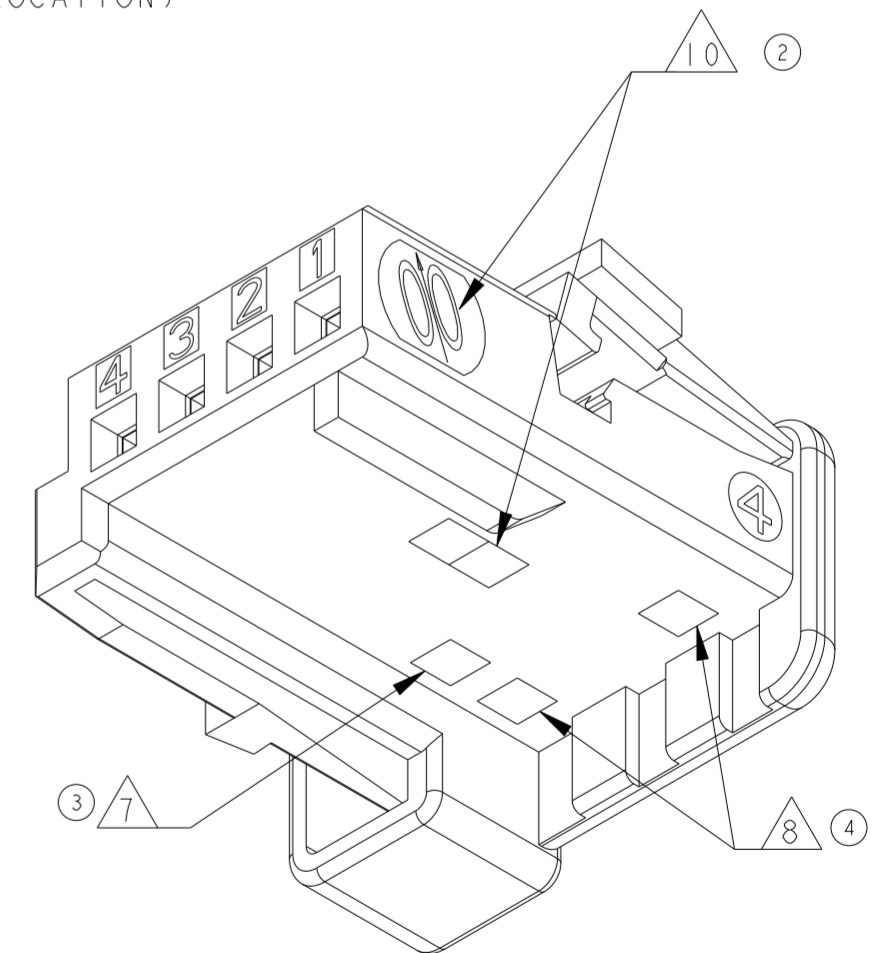
TABLE DE CODAGE - KEYING TABLE				
COULEUR COLOUR		X1	X2	REF. TE TE PN
NOIR BLACK		(21) 8.7	(22) 1.4	1379029-1
BLANC WHITE		(23) 7.4	(24) 2.7	1379029-2
BLEU BLUE		(25) 6.1	(26) 4	1379029-3
JAUNE YELLOW		(27) 4.8	(28) 5.3	1379029-4
GRIS GREY		(29) 3.5	(30) 6.6	1379029-5
MARRON BROWN		(31) 2.2	(32) 7.9	1379029-6



NOTES :

- 1 POSITION DES ALVEOLES SUIVANT INTERFACE TE 208-15592
INTERFACE ACCORDING TO TE 208-15592
- 2 PIECE A UTILISER AVEC LE CLIP MQS 144969-x, 928999-x OU 963715-x
TO USE WITH MQS RECEPTACLE 144969-x, 928999-x OR 963715-x
- 3 1379029-1 REPRESENTE
1379029-1 AS SHOWN

- 4 REPERE D'ALVEOLE
CAVITY IDENTIFICATION
- 5 LOGO TE OR AMP
TE OR AMP STAMP
- 6 MARQUAGE MATIERE
MATERIAL IDENTIFICATION
- 7 MARQUAGE DU MOULE (OPTION)
MOLD IDENTIFICATION (OPTIONAL)
- 8 INDICE DE REVISION DE MOULE (EMPLACEMENT OPTIONNEL)
MOLD REVISION NUMBER (OPTIONAL LOCATION)
- 9 NUMERO D'EMPREINTE DE MOULE
MOLD CAVITY IDENTIFICATION NUMBER
- 10 DATEUR (EMPLACEMENT OPTIONNEL)
DATE CODE (OPTIONAL LOCATION)
- 11 REFERENCE TE
TE PN



THIS DRAWING IS A CONTROLLED DOCUMENT.		DWN O. LEMAIRE 13JAN00	 TE Connectivity			
DIMENSIONS: mm		CHK J. LALANGE 14FEB00				
TOLERANCES UNLESS OTHERWISE SPECIFIED:		APVD JJ. REVIL 14FEB00				
	0 PLC ±	PRODUCT SPEC	NAME PORTE-CLIPS 4 VOIES MQS AVALOIR 4 POS. MQS RECEPTACLE HOUSING POSITIVE MATE			
	1 PLC ± ±0.2	108-15236	SIZE	CAGE CODE	DRAWING NO	RESTRICTED TO
MATERIAL PBT GF20 material_2	FINISH -	411-15635	A2	00779	C-1379029	-
CUSTOMER DRAWING		WEIGHT 1.2g	SCALE 5:1	SHEET OF	REV C	