

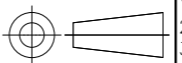
© - TE Connectivity. All Rights Reserved.

REVISIONS

P	LTR	DESCRIPTION	DATE	DWN	APVD
	A8	ECR-24-227587	06DEC2024	LP	DSC

- NOTE DELETED
- REFERENCE:  
PN 1377172  
1377173  
1377174  
1377175
- SHIPPER QTY = 20 X QTY/PLASTIC BOX FOR ALL PART NUMBERS

SMALL PACK PART NUMBER	UNIT PACK QTY [QTY/ PLASTIC BOX]	BULK PACKAGING PART NUMBER
0 1377174 1	100	0-0320861-0
0 1377174 4	50	0-0130496-0
1 1377174 0	100	0-0165142-0
1 1377174 1	100	0-0165168-0
1 1377174 3	100	0-0165046-0
1 1377174 5	100	9-0160402-2
1 1377174 7	50	0-0165049-0
1 1377174 8	50	0-0160404-2
2 1377174 1	100	0-0320559-0
2 1377174 2	50	0-0320562-0
2 1377174 3	25	0-0320570-0
2 1377174 4	50	0-0141462-1
2 1377174 9	50	0-0141456-1
5 1377174 2	50	0-0140814-2
5 1377174 6	50	0-0142241-1
7 1377174 7	50	0-0165619-2
7 1377174 9	50	0-0165563-1
8 1377174 0	50	0-0165564-1
8 1377174 1	50	0-0165565-1
8 1377174 2	50	0-0165565-2
8 1377174 3	50	0-0165566-1
8 1377174 7	50	9-0160483-1
9 1377174 1	100	9-0160583-2
9 1377174 2	100	9-0160583-5

THIS DRAWING IS A CONTROLLED DOCUMENT.		DWN RvH 26-03-02	<b>STE</b> TE Connectivity	
		CHK A. BIJNEN 26-03-02		
DIMENSIONS: mm		APVD A. BIJNEN 26-03-02	NAME SMALL PACK	
		PRODUCT SPEC	-	
		APPLICATION SPEC	-	
MATERIAL	TOLERANCES UNLESS OTHERWISE SPECIFIED:	WEIGHT	SIZE A3	CAGE CODE 00779
-	0 PLC ± - 1 PLC ± - 2 PLC ± - 3 PLC ± - 4 PLC ± - ANGLES ± -	-	DRAWING NO C-1377174	RESTRICTED TO -
	FINISH	CUSTOMER DRAWING	SCALE -	SHEET 1 of 1
	-		REV A8	