
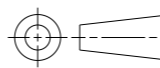


REVISIONS

SMALL PACK PART NUMBER	UNIT PACKAGE QTY (QTY/PLASTIC BOX)	BULK PACKAGING	
		PART NUMBER	
1377173	3	100	0-0034158-0
1377173	4	100	0-0034160-0
1377173	5	100	0-0130102-0
1377173	6	100	0-0034162-0
1377173	8	100	0-0034163-0
1377173	9	50	0-0034853-0
1 1377173	0	50	0-0160292-0
1 1377173	1	50	0-0160294-0
1 1377173	2	50	0-0160296-0
1 1377173	3	50	0-0160124-0
1 1377173	5	100	0-0327043-0
1 1377173	9	100	0-0165008-0
2 1377173	0	100	0-0034156-0
2 1377173	7	100	0-0034165-0
2 1377173	9	100	0-0326741-0
3 1377173	0	100	0-0034166-0
3 1377173	1	100	0-0160171-0
3 1377173	6	50	0-0165015-0
3 1377173	7	50	0-0165017-0
3 1377173	8	50	0-0165019-0
4 1377173	2	100	0-0165167-0
4 1377173	5	100	0-0165075-0
4 1377173	7	100	0-0165171-0
4 1377173	9	100	0-0165085-0
5 1377173	2	100	0-0034070-0
5 1377173	3	100	0-0034071-0
5 1377173	4	50	0-0034072-0
5 1377173	5	100	0-0034132-0
5 1377173	6	50	0-0034134-0
5 1377173	8	100	0-0035115-0
6 1377173	8	100	0-0031890-0
7 1377173	3	100	0-0320565-0
7 1377173	4	100	0-0130094-0
7 1377173	8	50	0-0130171-0
7 1377173	9	50	0-0165034-0
8 1377173	0	50	0-0160298-0
8 1377173	7	100	0-0032053-0
8 1377173	9	100	0-0032054-0
9 1377173	5	100	0-0130532-0
9 1377173	9	100	0-0130537-0

P	LTR	DESCRIPTION	DATE	DWN	APVD
	G5	ECR-24-227587	16DEC2024	LP	DSC

- 1 NOTE DELETED
- 2. REFERENCE:  
 PN 1377172  
 1377173  
 1377174  
 1377175
- 3. SHIPPER QTY = 20 X QTY/PLASTIC BOX
- 4. FOR PN 4-1377173-9 SHIPPER QTY IS 1400 PCS

THIS DRAWING IS A CONTROLLED DOCUMENT.		DWN RvHEUVEN	30 JUNE 06	 TE Connectivity			
DIMENSIONS: mm		CHK MvDRIEL	30 JUNE 06			NAME SMALL PACK	
		APVD MvDRIEL	30 JUNE 06				
TOLERANCES UNLESS OTHERWISE SPECIFIED:		APPLICATION SPEC		RESTRICTED TO			
0 PLC ±- 1 PLC ±- 2 PLC ±- 3 PLC ±- 4 PLC ±- ANGLES ±-		WEIGHT		-			
MATERIAL		FINISH		-			
CUSTOMER DRAWING				SIZE	A3		
				CAGE CODE	00779		
				DRAWING NO	G-1377173		
				SCALE	-		
				SHEET	1 OF 1		
				REV	G5		