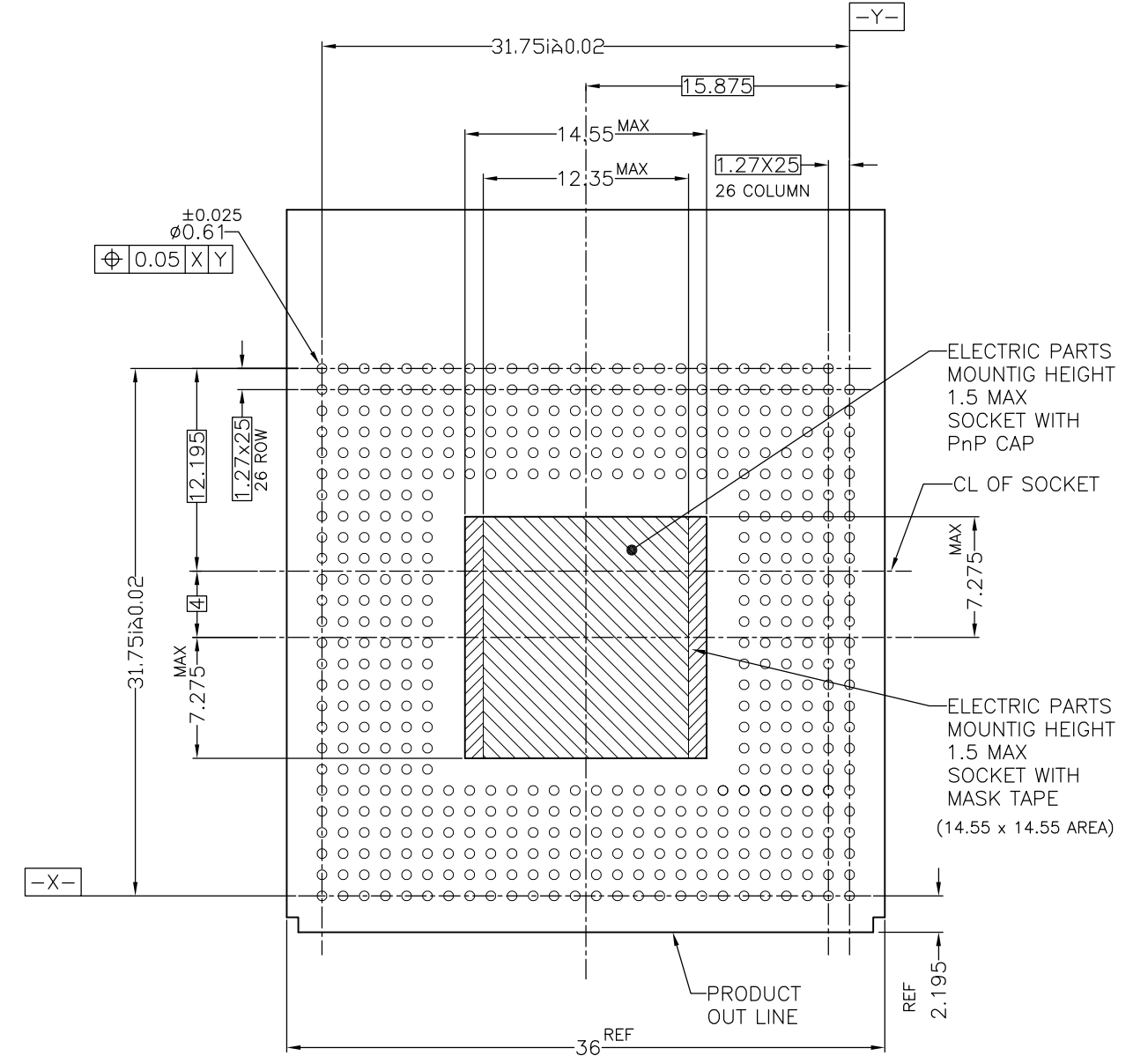
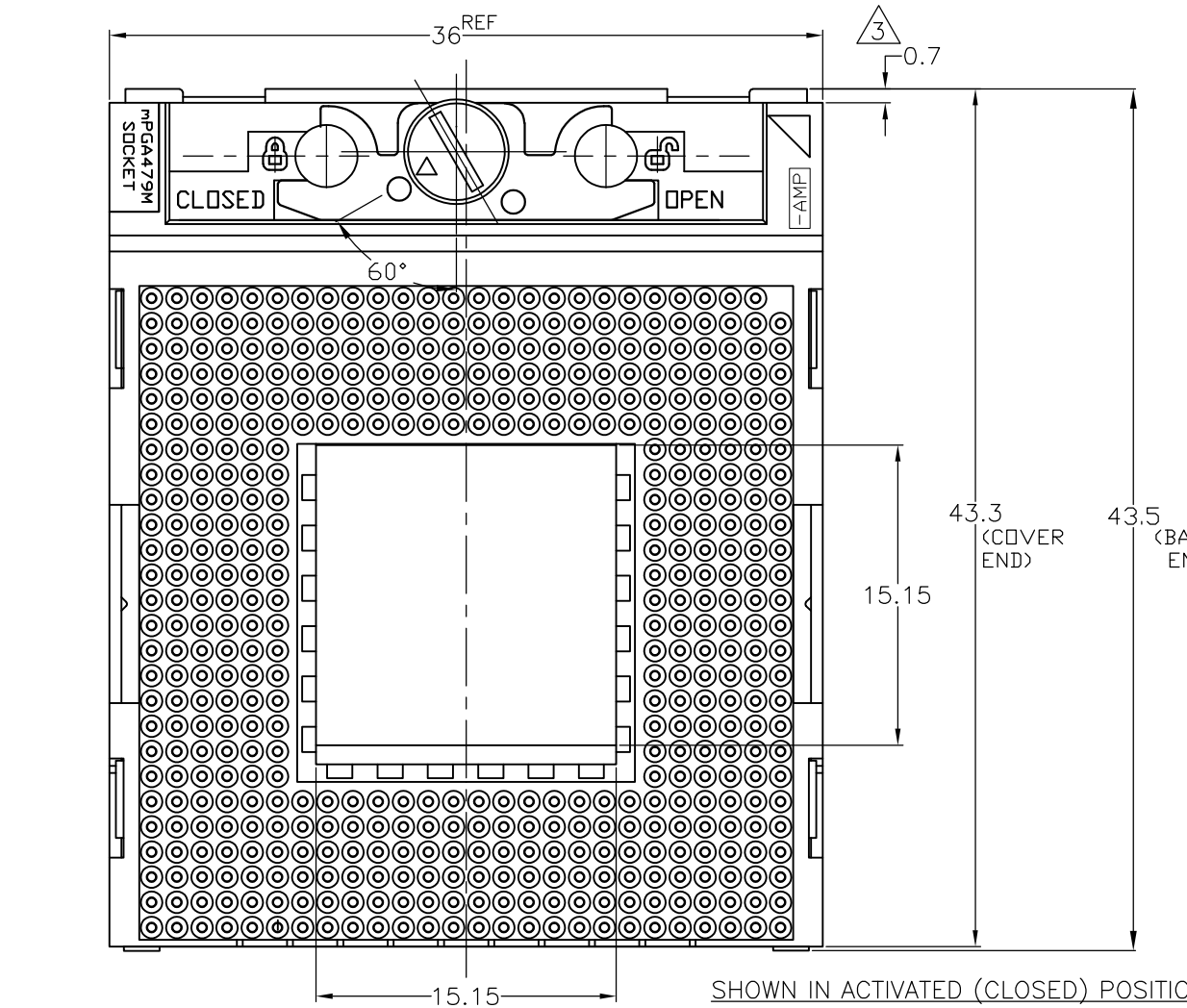
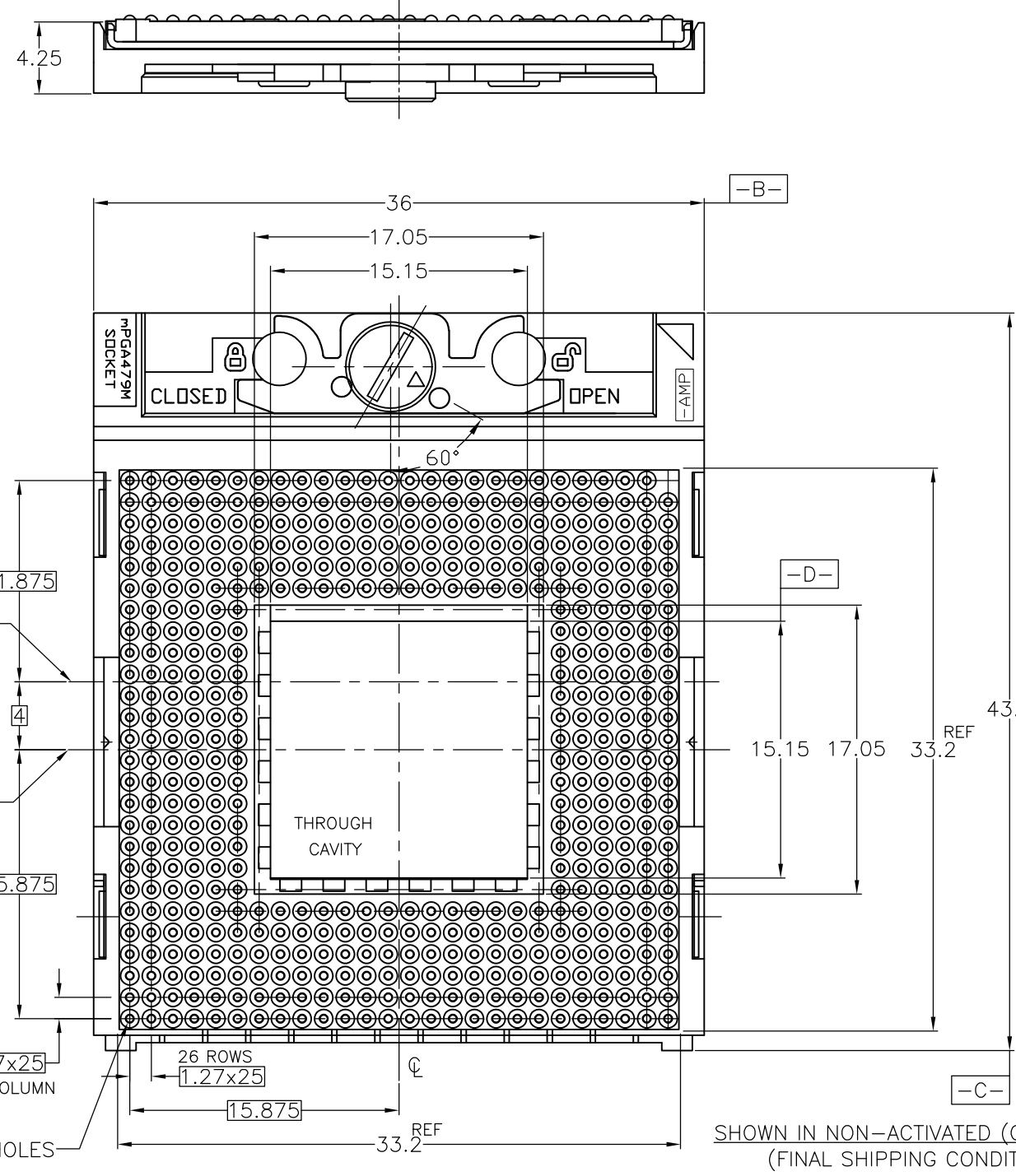
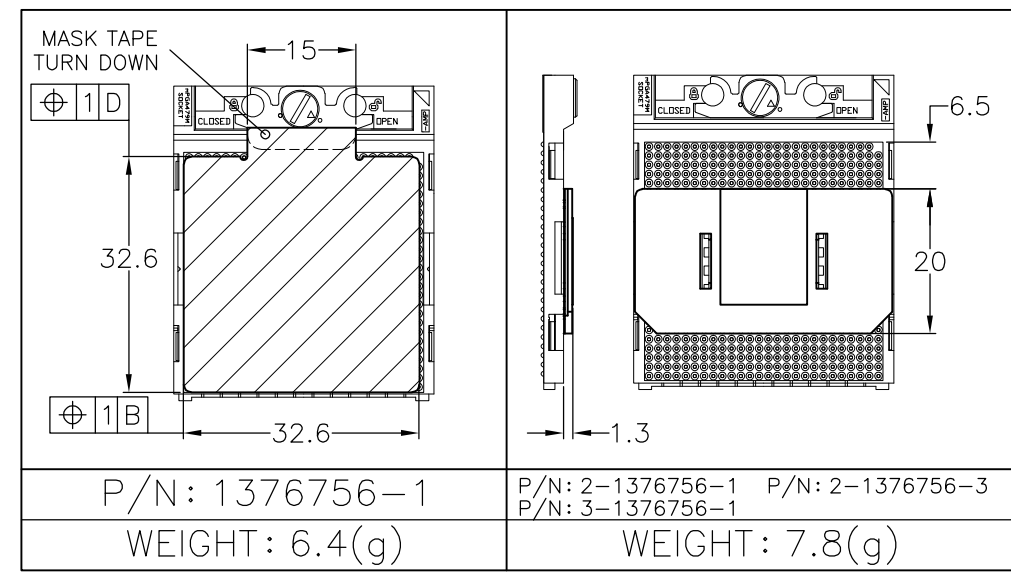


1-1376756-1: AS SHOWN

| LOC | | DIST | | REVISIONS | | | |
|-----|-----|-------------|-----------------------|-----------|-----|------|--|
| P | LTR | DESCRIPTION | | DATE | DWN | APVD | |
| J | | F | REVISED ECR-07-030871 | 24DEC07 | A.L | H.S | |



REFERENCE DIM. OF P.C.BOARD (MOUNTING SIDE)

| APPLICABLE SOCKET PN | PACKAGING TYPE | SALEABLE PART NO. |
|----------------------|------------------------------|-------------------|
| 1473714-1 | HARD TRAY | 1473133-1 |
| 3-1376756-1 | HARD TRAY | 2-1473131-2 |
| 2-1376756-3 | HARD TRAY | 2-1473131-3 |
| 2-1376756-1 | HARD TRAY | 2-1473131-1 |
| 1-1376756-1 | HARD TRAY | 1-1473131-1 |
| 1376756-1 | HARD TRAY | 1473131-1 |
| 2-1376756-1 | EMBOSS, PITCH 56 TAPE & REEL | 2-1473129-3 |
| 2-1376756-1 | EMBOSS, PITCH 48 TAPE & REEL | 2-1473129-1 |
| 1376756-1 | EMBOSS, PITCH 56 TAPE & REEL | 1473129-3 |
| 1376756-1 | EMBOSS, PITCH 48 TAPE & REEL | 1473129-1 |

| TOOLING STATUS | REMARKS | PART No. |
|----------------|---|-------------|
| PRODUCING | PRODUCT WITH CAP(NATURAL) | 3-1376756-1 |
| PRODUCING | PRODUCT WITH CAP(BLACK)(GOLD PL.0.76um) | 2-1376756-3 |
| PRODUCING | PRODUCT WITH CAP(BLACK)(GOLD PL.0.1um) | 2-1376756-1 |
| PRODUCING | PRODUCT ONLY | 1-1376756-1 |
| PRODUCING | PRODUCT WITH MASK TAPE | 1376756-1 |

- NOTES
- △ MATERIAL : BASE HSG : HIGHT TEMP,THEMO PLASTIC UL94V-0
COVER HSG : HIGHT TEMP,THEMO PLASTIC UL94V-0
CONTACT : COPPER ALLOY
OTHERS : STAINLESS STEEL & CARBON STEEL
 - △ FINISH : CONTACT : GOLD PL. NICKEL UNDER PL.
(AT CONTACT AREA)
 - △ COVER HSG ACTUATION DISTANCE : 0.7mm
 - △ CAM ROTATION ANGLE (OPEN-CLOSE) : 120 DEGREES
 - △ THE PGA SURFACE TOUCHES WITH THE MOUNTING SURFACE OF THE SOCKET.
 - 5 GENERAL TORELANCE :
10 ≥ : ±0.2
30 ≥ >10 : ±0.25
100 ≥ >30 : ±0.3
ANGLE : ±3'
 - △ EXCEPT FOR MASK TAPE THK.

THIS DRAWING IS A CONTROLLED DOCUMENT.

| | | |
|------|----------|-----------|
| DWN | S.ABE | 31/JUL/01 |
| CHK | H.SHIRAI | 31/JUL/01 |
| APVD | H.SHIRAI | 31/JUL/01 |

Product Spec: 108-5744
Application Spec-Instruction Sheet: 411-5983

Customer Drawing: A2 00779 C=1376756

Tyco Electronics Corporation
Shanghai, P.R.China,200233

mPGA479M SOCKET
3mm HEIGHT
CAM TYPE

SCALE: 3:1 SHEET: 1 of 1 REV: F