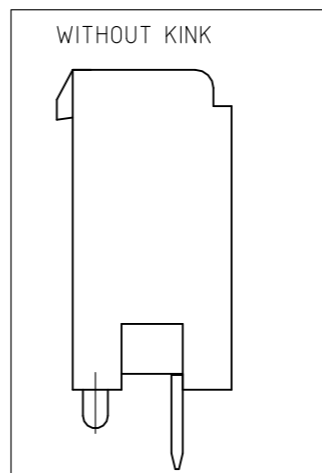
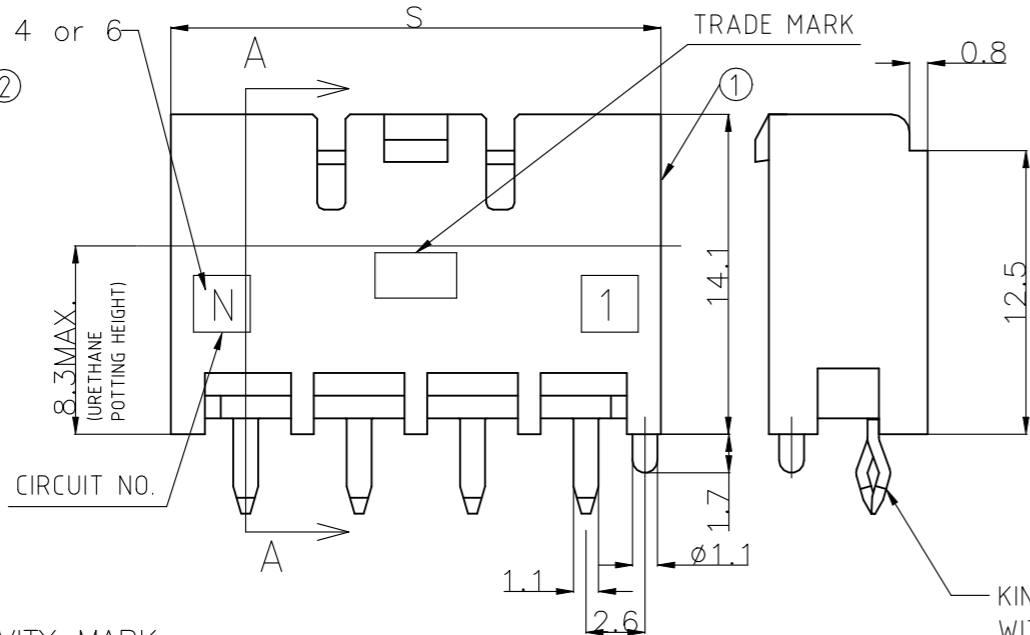
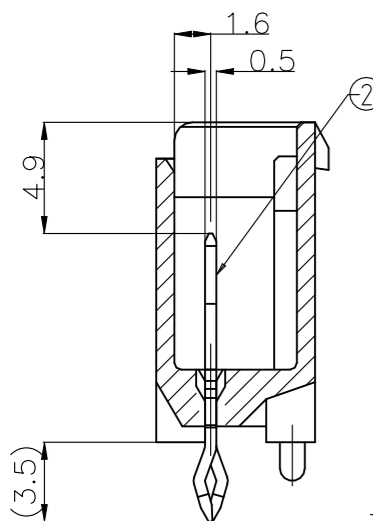
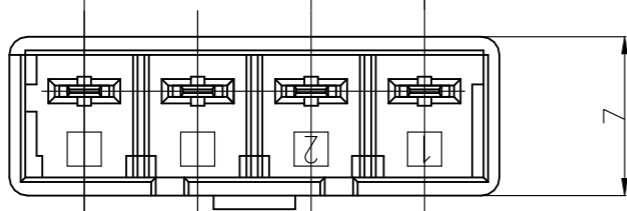
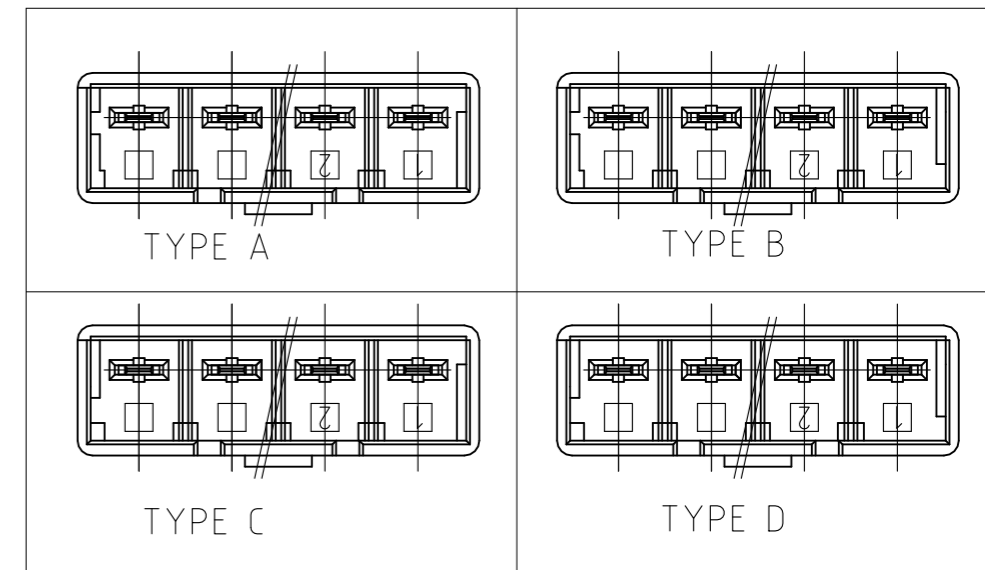


P	LTR	DESCRIPTION	DATE	DWN	APVD
E5	REVISED PER	ECR-21-103027	24MAY2021	KS	DZ

5X(N-1)=T (mating side)  
5 (mating side)



THE TYPE OF KEYING



SECT A-A

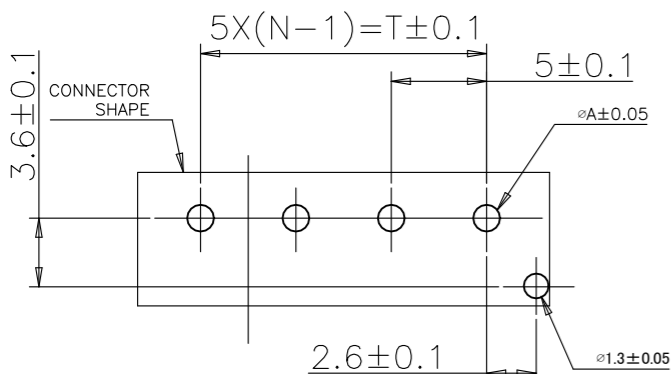
CAVITY MARK

KINK SHAPE: WITHOUT KINK IS STRAIGHT SHAPE OF TINE.

NO.	NAME	MATERIAL	NO.	NAME	MATERIAL	WITH/WITHOUT KINK	TYPE OF KEYING	Color	Pos	PART NO.
9	25	31.6	6	1376391-1	WITH KINK	TYPE A	NATURAL	5Pos	7-1376385-1	
7	25	31.6	6	1376391-1	WITH KINK	TYPE A	NATURAL	5Pos	6-1376385-1	
6	25	31.6	6	1376391-1	WITHOUT KINK	TYPE A	NATURAL	6Pos	5-1376385-1	
6	25	31.6	6	3-1376391-4	WITH KINK	TYPE D	YELLOW	6Pos	3-1376385-4	
6	25	31.6	6	2-1376391-3	WITH KINK	TYPE C	BLUE	6Pos	2-1376385-3	
6	25	31.6	6	1-1376391-2	WITH KINK	TYPE B	RED	6Pos	1-1376385-2	
6	25	31.6	6	1376391-1	WITH KINK	TYPE A	NATURAL	6Pos	1376385-1	
6	15	21.6	4	1376390-1	WITH KINK	TYPE A	NATURAL	4Pos	1376384-6	
5	15	21.6	4	1376390-5	WITH KINK	TYPE A	NATURAL	4Pos	1-1376384-6	
5	15	21.6	4	1-1376390-5	WITH KINK	TYPE B	RED	4Pos	1-1376384-5	
6	15	21.6	4	1376390-1	WITHOUT KINK	TYPE A	NATURAL	4Pos	5-1376384-1	
6	15	21.6	4	3-1376390-4	WITH KINK	TYPE D	YELLOW	4Pos	3-1376384-4	
6	15	21.6	4	2-1376390-3	WITH KINK	TYPE C	BLUE	4Pos	2-1376384-3	
6	15	21.6	4	1-1376390-2	WITH KINK	TYPE B	RED	4Pos	1-1376384-2	
6	15	21.6	4	1376390-1	WITH KINK	TYPE A	NATURAL	4Pos	1376384-1	
T	S	N		MATING CONN. P/N	WITH/WITHOUT KINK	TYPE OF KEYING	Color	Pos	PART NO.	

NO.	NAME	MATERIAL
2	HEADER HOUSING	6/6 NYLON GRASS FILLED/ NYLON 6
1	TAB	COPPER ALLOY TIN PLATED

- 1 RECOMMENDED P.C.B LAY OUT.
- 2 APPLICABLE P.C.B. THICKNESS:1.6.
- 3 MATING CONN. P/N PLUG HOUSING :SEE TABLE.
- 4 PARTS COMPLY WITH GLOW WIRE REQUIREMENT FOR PARTS OF NON-METALLIC MATERIAL SUPPORTING A CURRENT-CARRYING CONNECTION DETAILED IN IEC 60335-1, SECTION 30 (GWT) .
- 5 NYLON 6, GWT, V-2.
- 6 NYLON 66, GWT, V-0.
- 7 THE PART 6-1376385-1 IS THE SAME AS 1376385-1 BUT REMOVE THE SECOND PIN.
- 8 THE PART 7-1376385-1 IS THE SAME AS 1376385-1 BUT REMOVE THE FOURTH PIN.
- 9 PRELIMINARY - NOT FOR PRODUCTION.



PUNCHING	1.25
DRILLING	1.4
	DIM A

RECOMMENDED PCB HOLES

THIS DRAWING IS A CONTROLLED DOCUMENT.

DIMENSIONS:	TOLERANCES UNLESS OTHERWISE SPECIFIED:
mm	
Ø P/L	± 0.2
1 P/C	±
2 P/C	±
3 P/C	±
4 P/L	±
ANGLES	± 1°
FINISH	
SEE TABLE	SEE TABLE

DWN	A.OISHI	28AUG'00
CHK	Y.KASHIWA	28AUG'00
APVD	Y.KASHIWA	28AUG'00
PRODUCT SPEC	108-5699	
APPLICATION SPEC	114-5292	
WEIGHT		
CUSTOMER DRAWING		

**STE** TE Connectivity

5.0 POWER KEY CONNECTOR  
4P HEADER ASSEMBLY

SIZE: A3 CAGE CODE: 00779 DRAWING NO: C-1376384 RESTRICTED TO: —

SCALE: 3:1 SHEET: 1 OF 1 REV: E5