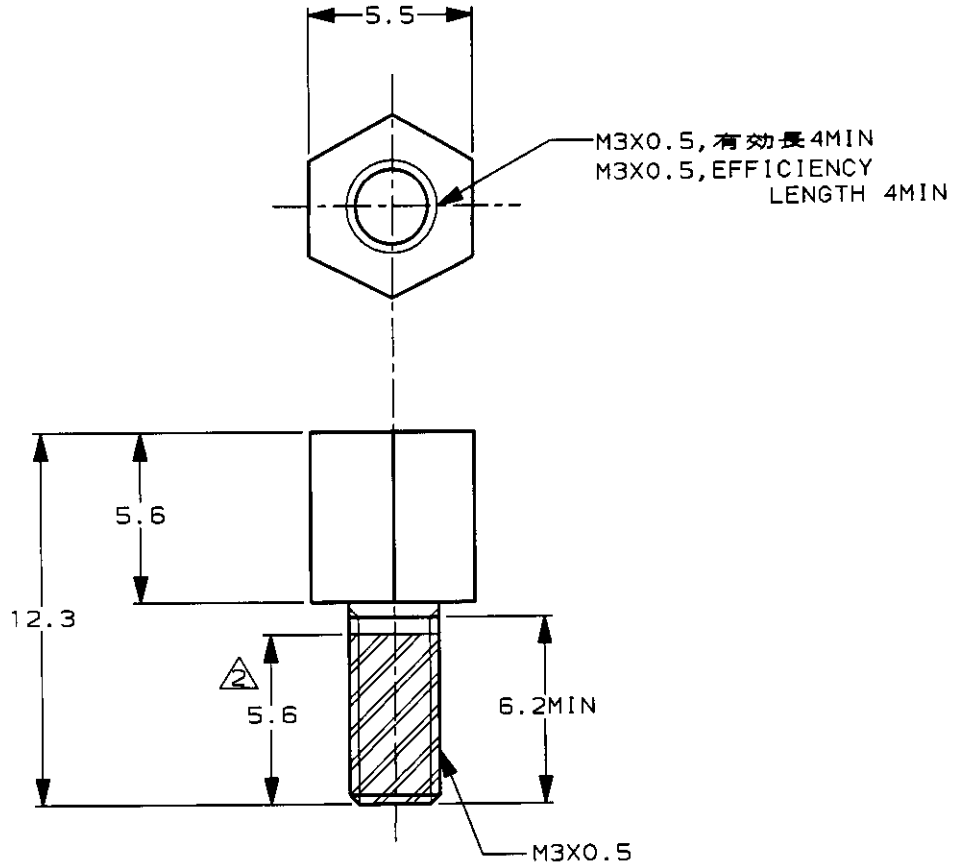


LOC	DIST	REVISIONS						
J	-	P	LTR	DESCRIPTION	ECN	DATE	DWN	APVD
		0		RELEASED	FJ00-1910-99	7/FEB/00	M.H	S.M

-1: 本図
-1: AS SHOWN



注記

- 全面に1 μ mMINの銅下地メッキの上に
3 μ mMINのニッケルメッキ
△スコッチグリップを塗布

NOTES

- FINISH: NICKEL PL. 3 μ mMIN THK.
OVER Cu UNDER PL. 1 μ mMIN THK.
△ TO APPLY SCOTCH-GRIP.

RELEASED FOR PUBLICATION

THIS DRAWING IS UNPUBLISHED.

BY AMP INCORPORATED. ALL RIGHTS RESERVED.

© COPYRIGHT 19

DIMENSIONS: 単位 概 mm	DWN M.HIGO	3/FEB/00
TOLERANCES UNLESS OTHERWISE SPECIFIED:	CHK	7/FEB/00
一般公差 10 μ , ± 0.2 30 μ , ± 0.25 100 μ , ± 0.3 ANGLE , $\pm 3^\circ$	APVD	<i>S. MOTOBE</i>
	PRODUCT SPEC 製品規格	-
	APPLICATION SPEC 取付適用規格	-
	WEIGHT	1.15g

WIRE RANGE 適合電線断面積	-	INSULATION DIA 被覆外径	-
MATERIAL 材料	炭素鋼材 CARBON STEEL	FINISH 仕上	ニッケルメッキ NICKEL PLATING
AMP 株式会社 川崎電機工業 Kawasaki, Japan			
NAME 名称 固定ねじ ダイナミック D-2000 50P ドロワタイプ用 FIXED HEAD SCREW FOR DYNAMIC D-2000 50P DRAWER TYPE			
SIZE	CAGE CODE	DRAWING NO	RESTRICTED TO
A4	00779	①- 1376059	-
CUSTOMER DRAWING		SCALE 尺度 4-1	SHEET 1 OF 1 REV 0