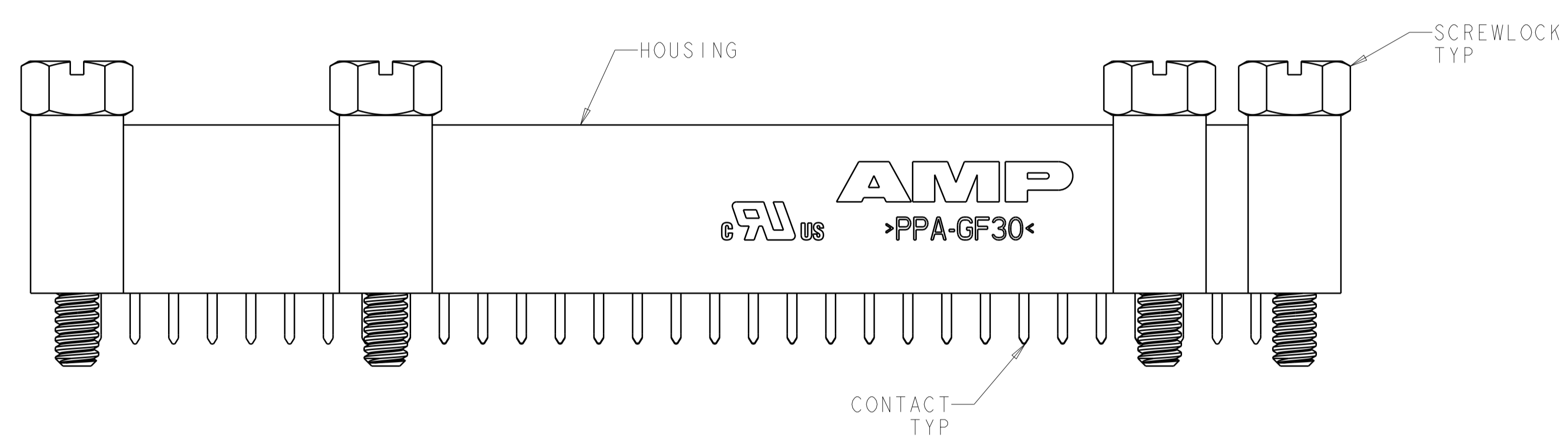
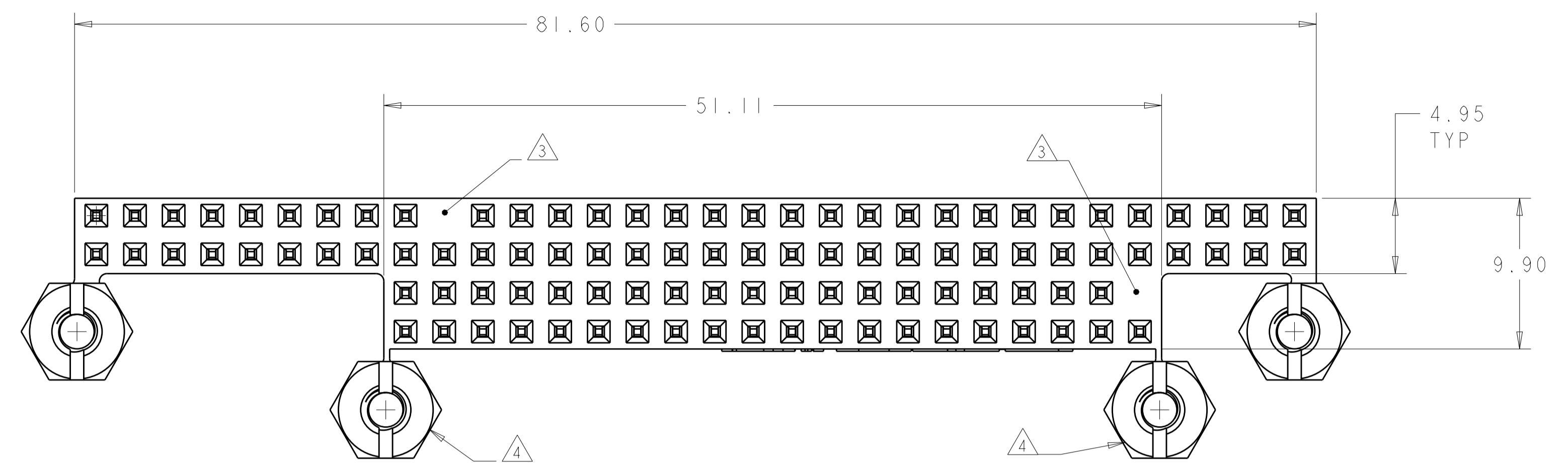
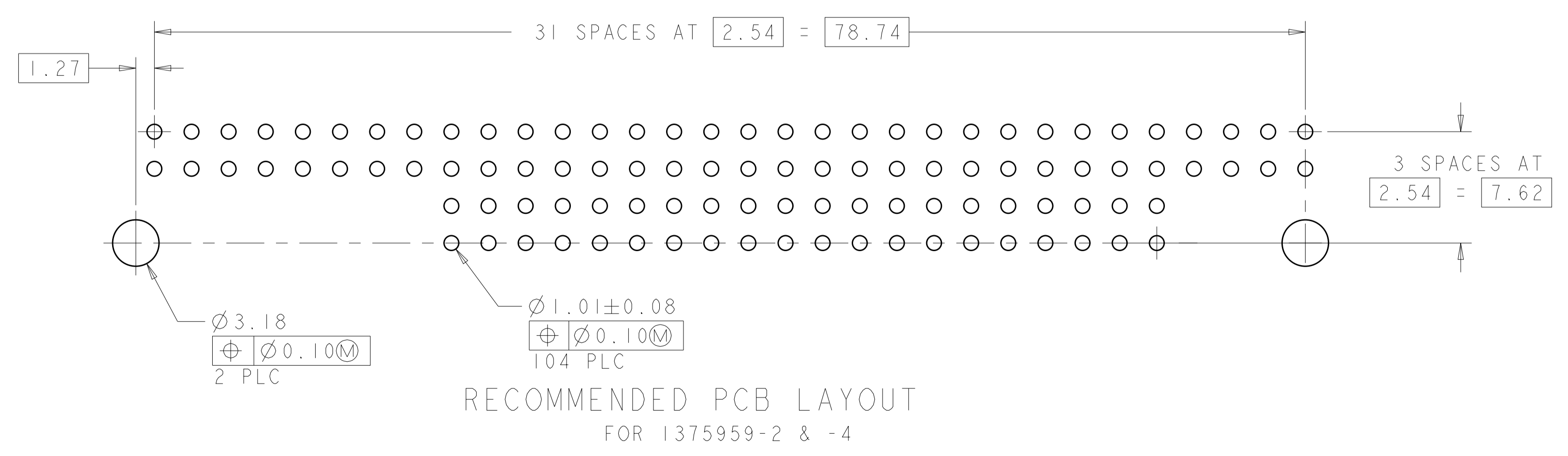
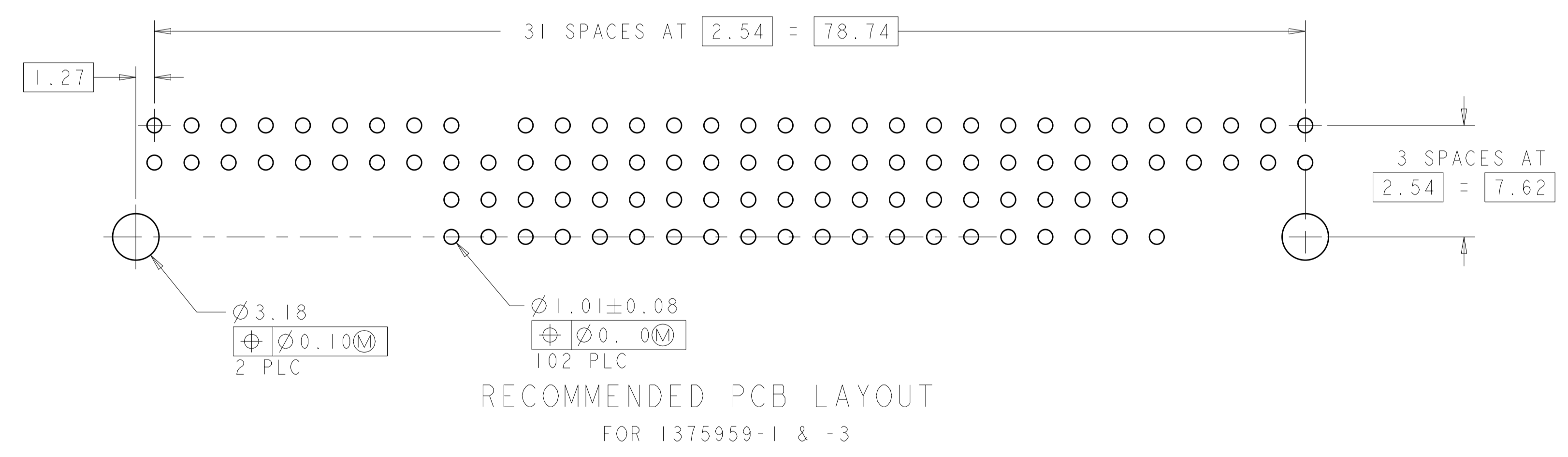
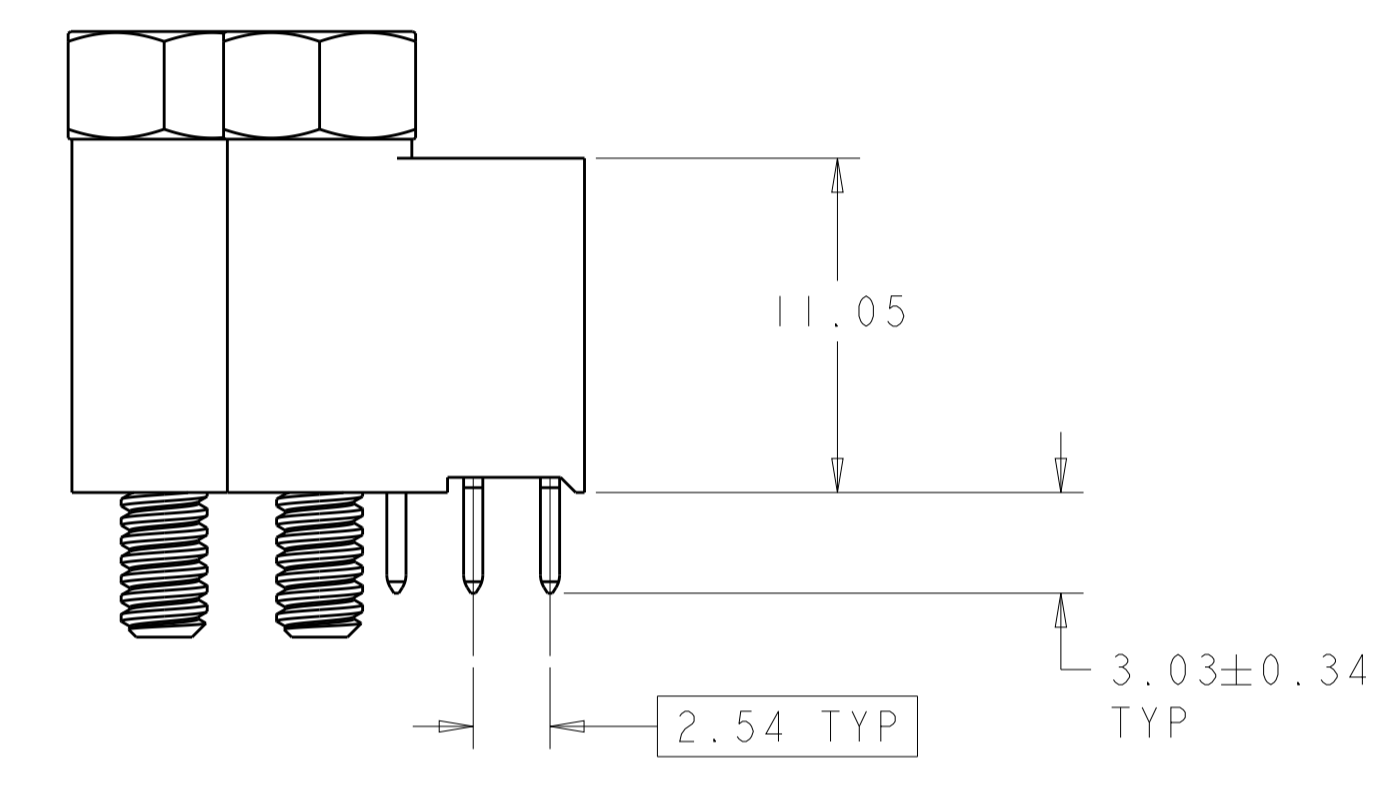


REVISIONS				
P	LTN	DESCRIPTION	DATE	APVD
B2		REVISED PER ECO-16-002589	26FEB2016	NK JO



- △ HOUSING: HIGH TEMPERATURE, GLASS FILLED NYLON, COLOR: BLACK.
CONTACTS: PHOSPHOR BRONZE.
SCREWLOCKS: STEEL.
- △ CONTACTS: 0.000381 MIN GOLD ON MATING RECEPTACLE END, 0.00254 BRIGHT TIN-LEAD ON REMAINDER, ALL OVER 0.001270 NICKEL.
SCREWLOCKS: CLEAR CHROMATE OVER ZINC.
- △ NO CONTACT IN THIS POSITION, FOR PART NUMBER 1375959-1 & -3 ONLY.
- △ BREAK-AWAY SCREWLOCK/STANDOFF.
- △ CONTACTS: 0.000381 MIN GOLD ON MATING RECEPTACLE END, 0.00254-0.00508 MATTE TIN ON REMAINDER, ALL OVER 0.001270 NICKEL.
SCREWLOCKS: CLEAR CHROMATE OVER ZINC.
- △ ROHS 2002/95/EC COMPLIANT PART TO BE USED WITH ROHS 2002/95/EC COMPLIANT PCB'S.



△6	△5	NO	1375959-4
△6	△5	△3 YES	1375959-3
	△2	NO	1375959-2
	△2	△3 YES	1375959-1
FINISH		KEYED CIRCUITS	PART NO

THIS DRAWING IS A CONTROLLED DOCUMENT. DWN: W.G. LENKER 02JUN2000
 CHK: L. BREKOSKY 15JAN2001

STE TE Connectivity

DIMENSIONS:	TOLERANCES UNLESS OTHERWISE SPECIFIED:	NAME	ASSEMBLY, PC/104, NON-STACKTHROUGH CONTACTS, 4 STANDOFFS, SOLDER
mm	0 PLC ± 2 PLC ±0.01 3 PLC ± 4 PLC ±	PRODUCT SPEC	108-1956
ANGLES	±	APPLICATION SPEC	114-13021
MATERIAL	FINISH	SIZE	CAGE CODE DRAWING NO
△	△5 △2	WEIGHT	A100779C=1375959
CUSTOMER DRAWING		SCALE	4:1 SHEET 1 OF 1 REV B2