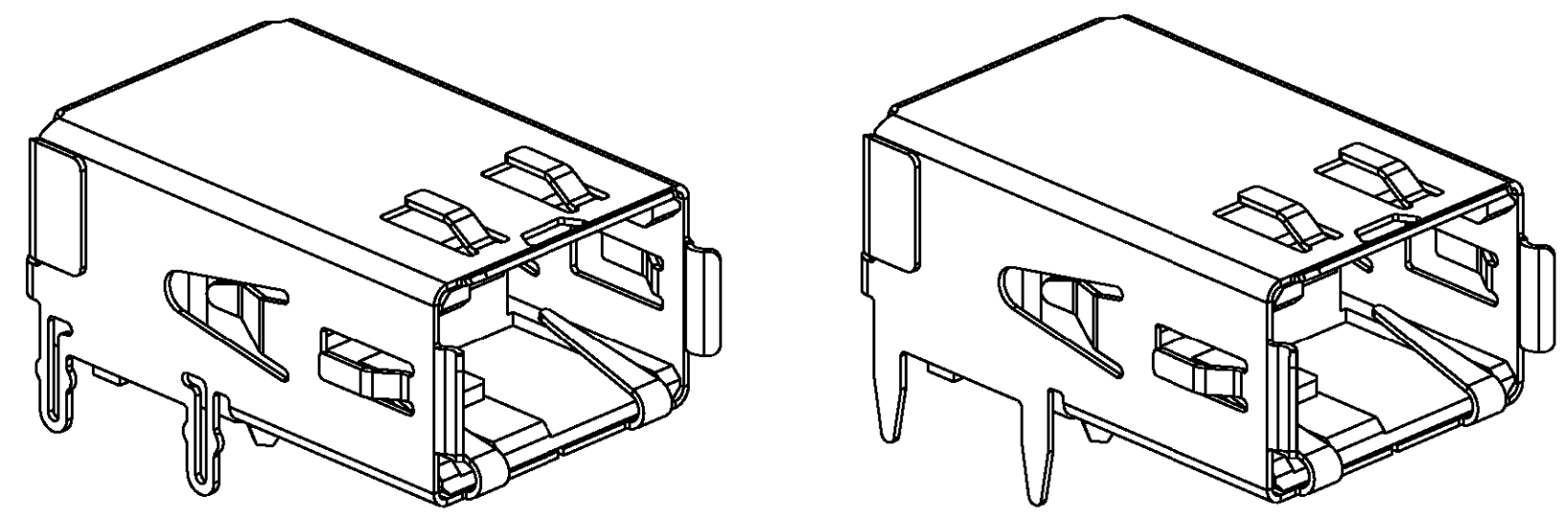


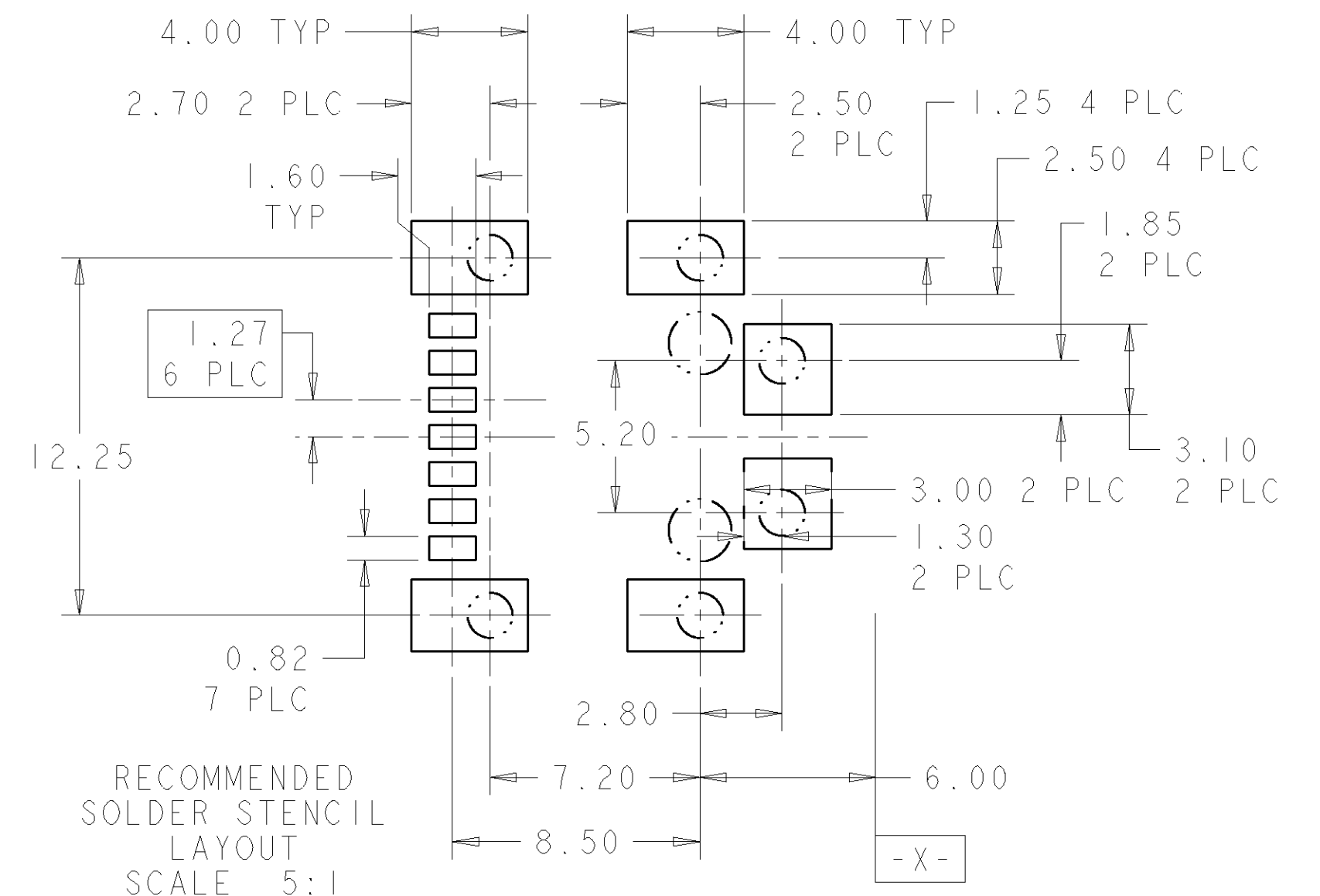
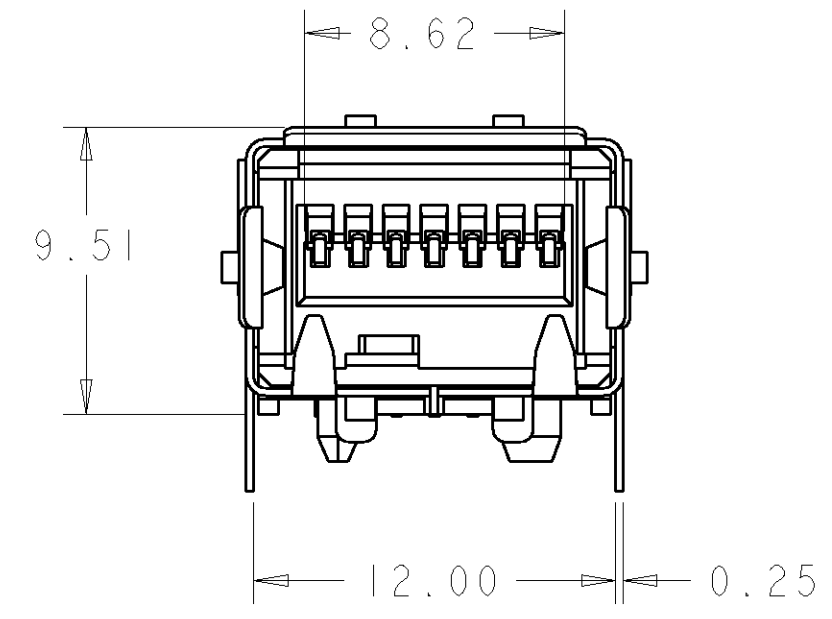
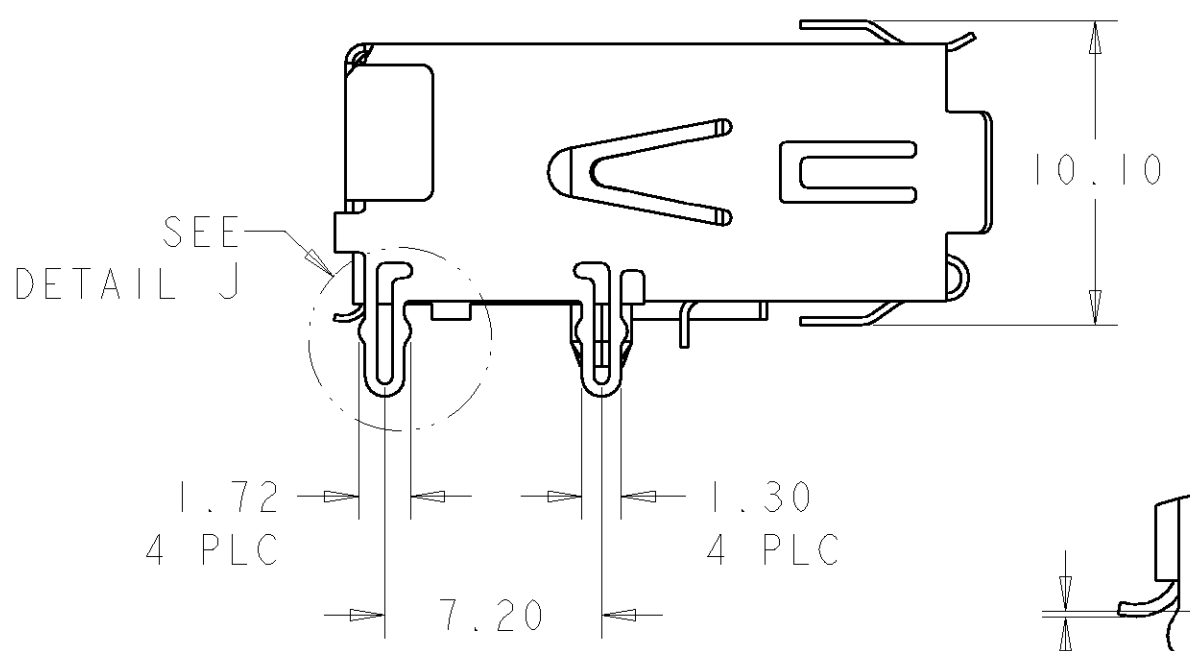
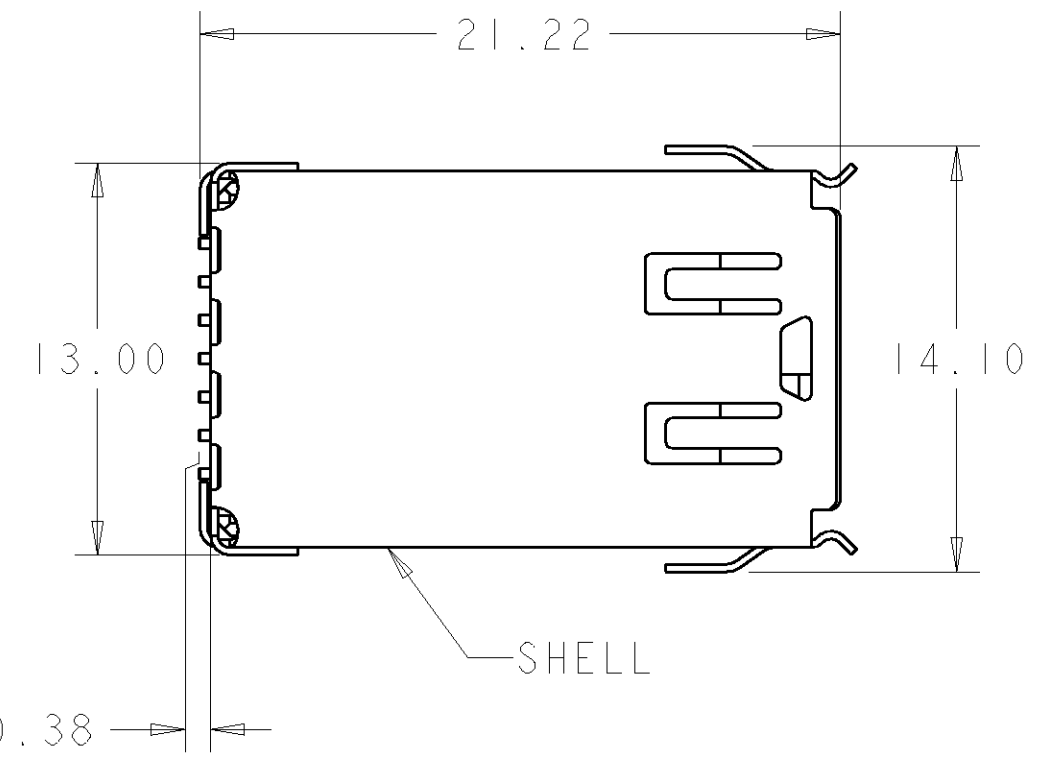
THIS DRAWING IS UNPUBLISHED. RELEASED FOR PUBLICATION 20
 © COPYRIGHT 20 BY TYCO ELECTRONICS CORPORATION. ALL RIGHTS RESERVED.

LOC	DIST	REVISIONS			
P	LTR	DESCRIPTION	DATE	DWN	APVD
GP	00				
	D	REVISED PER EC 0S13-0089-03	18DEC03	JG	CR
	E	REVISED PER ECO-06-007876	07DEC06	JDP	SAS
	EI	REVISED PER ECO-06-029038	21MAR07	JDP	SAS

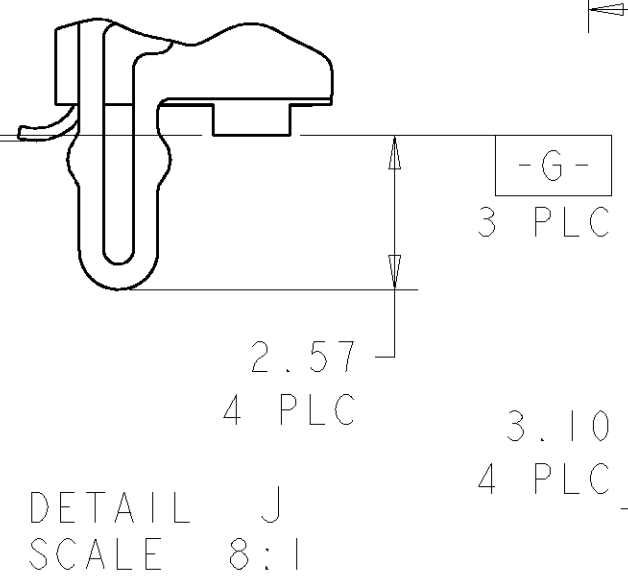
- 1 INSERT: LCP, UL 94V-0 RATED.
CONTACTS: COPPER ALLOY
SHELL: PHOSPHOR BRONZE.
- 2 CONTACTS: 1.27µm MINIMUM GOLD OVER
3.81µm MINIMUM NICKEL ON MATING END.
3.81µm MINIMUM TIN-LEAD OVER
1.27µm MINIMUM NICKEL ON SOLDER TAILS.
SHELL: 3µm MINIMUM TIN OVER
1.27µm MINIMUM NICKEL.
- 3 DATUM AND BASIC DIMENSION ESTABLISHED BY CUSTOMER.
- 4 LOCATION OF STANDOFF CONTACTING THE BOARD.
- 5 PACKAGED IN TRAY.
- 6 PACKAGED TAPE AND REEL.
- 7 TYCO LOGO, COUNTRY OF ORIGIN, MATERIAL CODE, BUILDING NUMBER AND MOLD CAVITY ID ARE FROSTED ON THIS SURFACE.



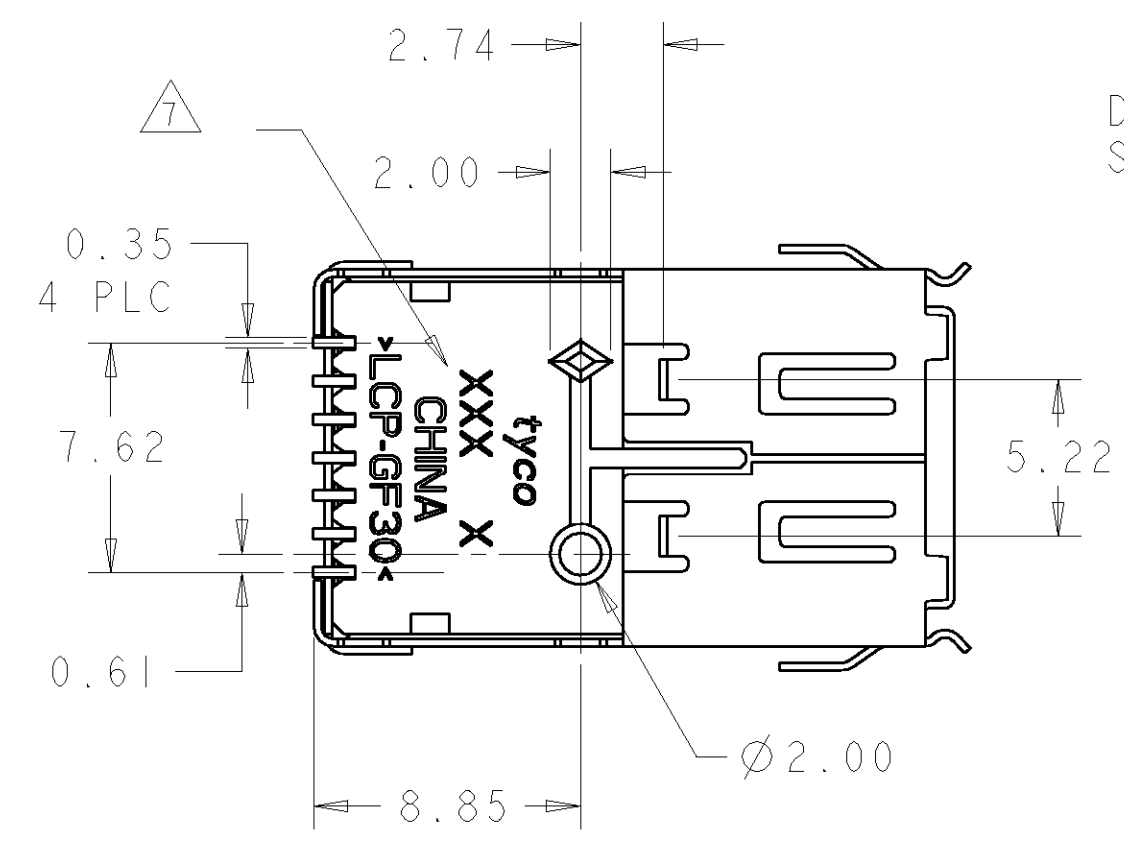
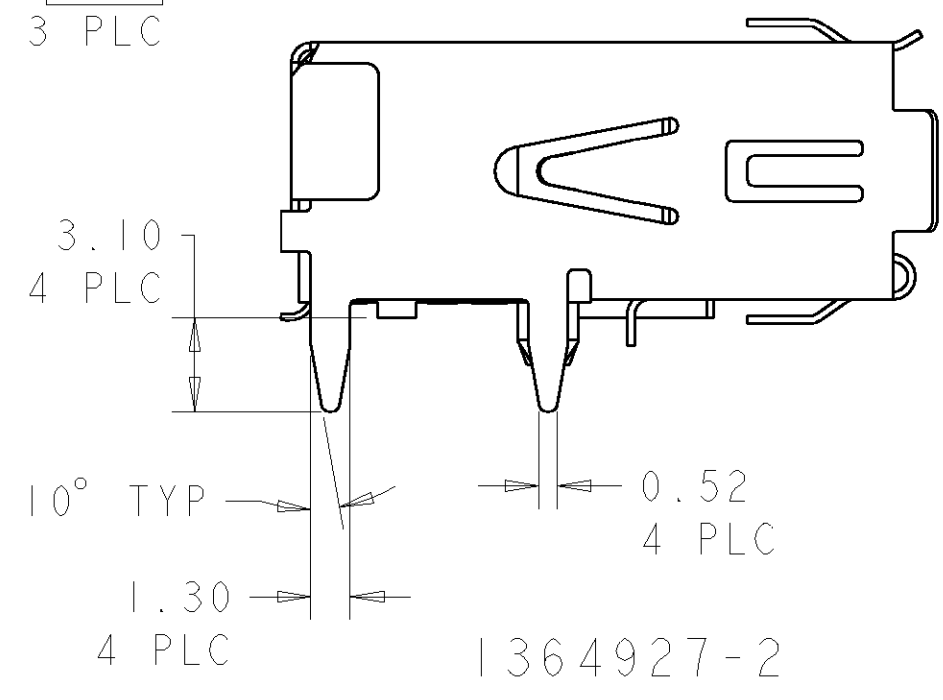
1364927-1 SOLDER TAIL WITH BOARDLOCK
 1364927-2 SOLDER TAIL



RECOMMENDED
SOLDER STENCIL
LAYOUT
SCALE 5:1



DETAIL J
SCALE 8:1



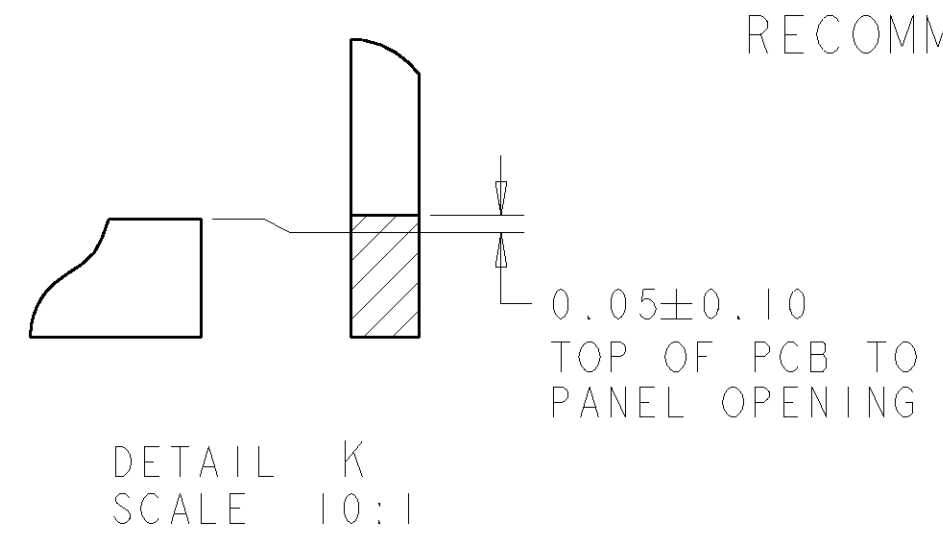
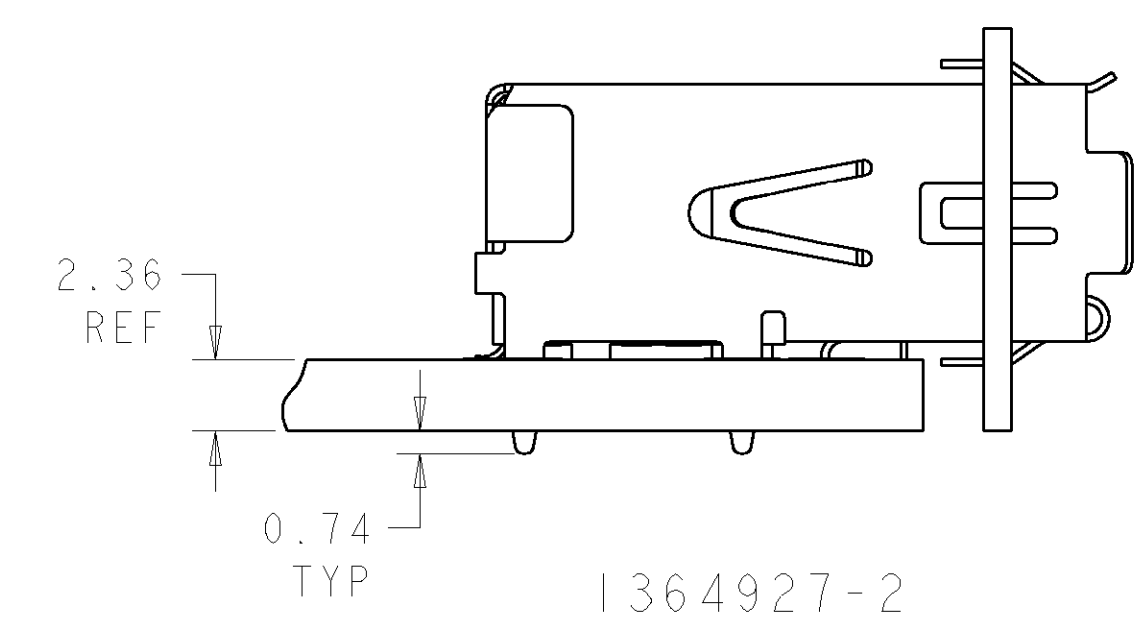
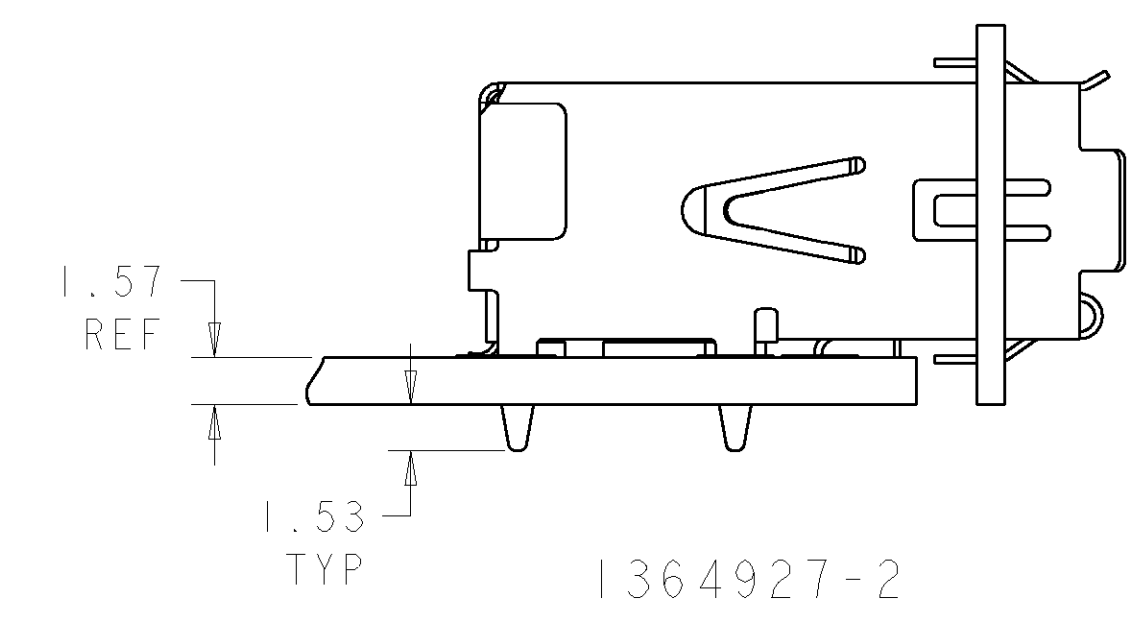
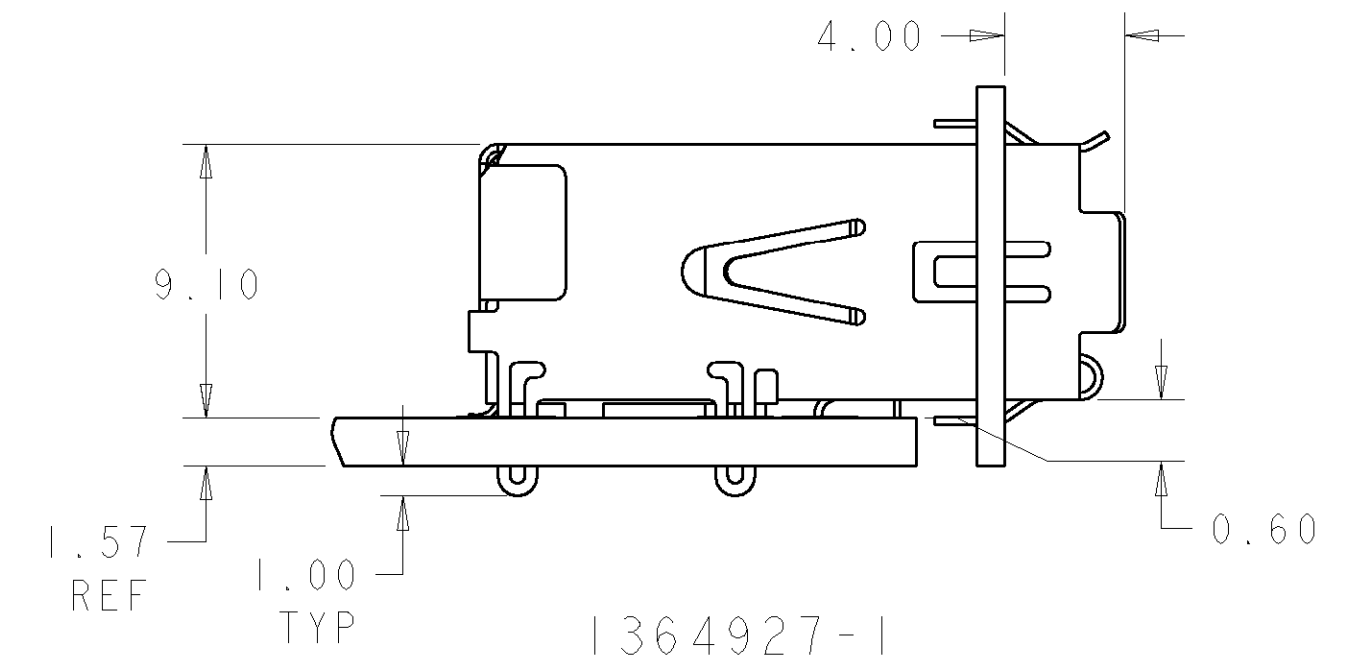
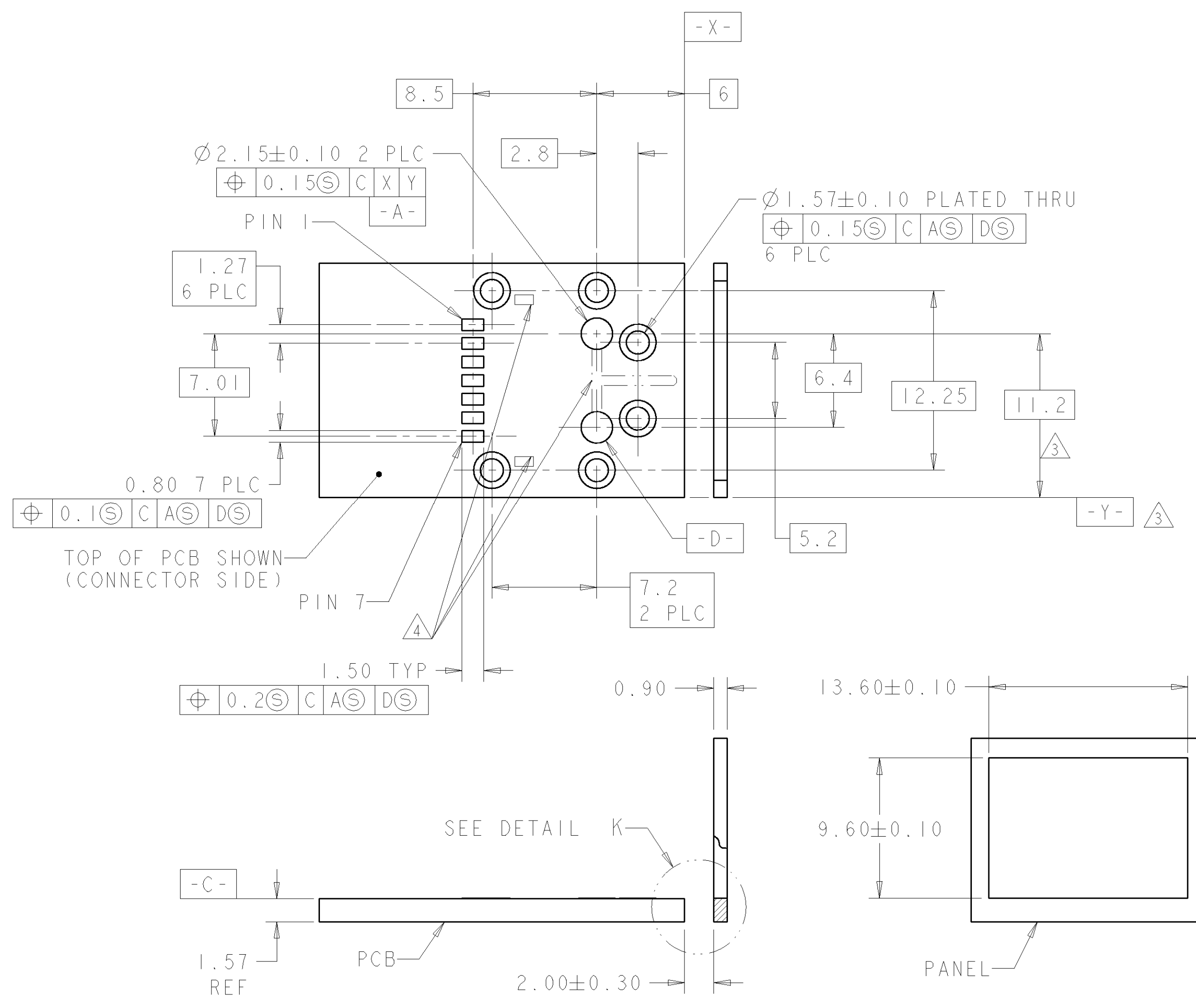
OBSOLETE
OBSOLETE
OBSOLETE

PACKAGING	DESCRIPTION	PART NUMBER
6	SAME AS 1364927-1	1364927-4
5	SAME AS 1364927-2	1364927-3
6	SOLDER TAIL	1364927-2
5	SOLDER TAIL WITH BOARDLOCK	1364927-1

THIS DRAWING IS A CONTROLLED DOCUMENT FOR TYCO ELECTRONICS CORPORATION. IT IS SUBJECT TO CHANGE AND THE CONTROLLING ENGINEERING ORGANIZATION SHOULD BE CONTACTED FOR THE LATEST REVISION.		DWN B. CRISAMORE 23OCT00	Tyco Electronics Harrisburg, PA 17105-3608	
DIMENSIONS: mm		CHK KEITH MURR 23OCT00	NAME RECEPTACLE ASSEMBLY, FIBRE CHANNEL, SURFACE MOUNT, SINGLE ROW, HSSDC2	
TOLERANCES UNLESS OTHERWISE SPECIFIED: 0 PLC ± 1 PLC ± 2 PLC ±0.13 3 PLC ± 4 PLC ± ANGLES ±3° FINISH		APVD R.A. KIRKER 23OCT00	PRODUCT SPEC 108-1965	RESTRICTED TO
MATERIAL		APPLICATION SPEC 114-13028	SIZE A2	CAGE CODE 00779
1		WEIGHT 2.71	DRAWING NO 1364927	REV E1
2		CUSTOMER DRAWING		
		SCALE 4:1	SHEET 1	OF 3

THIS DRAWING IS UNPUBLISHED. RELEASED FOR PUBLICATION 20
 © COPYRIGHT 20 BY TYCO ELECTRONICS CORPORATION. ALL RIGHTS RESERVED.

LOC	DIST	REVISIONS			
P	LTR	DESCRIPTION	DATE	DWN	APVD
GP	00	EI	SEE SHEET 1	-	-

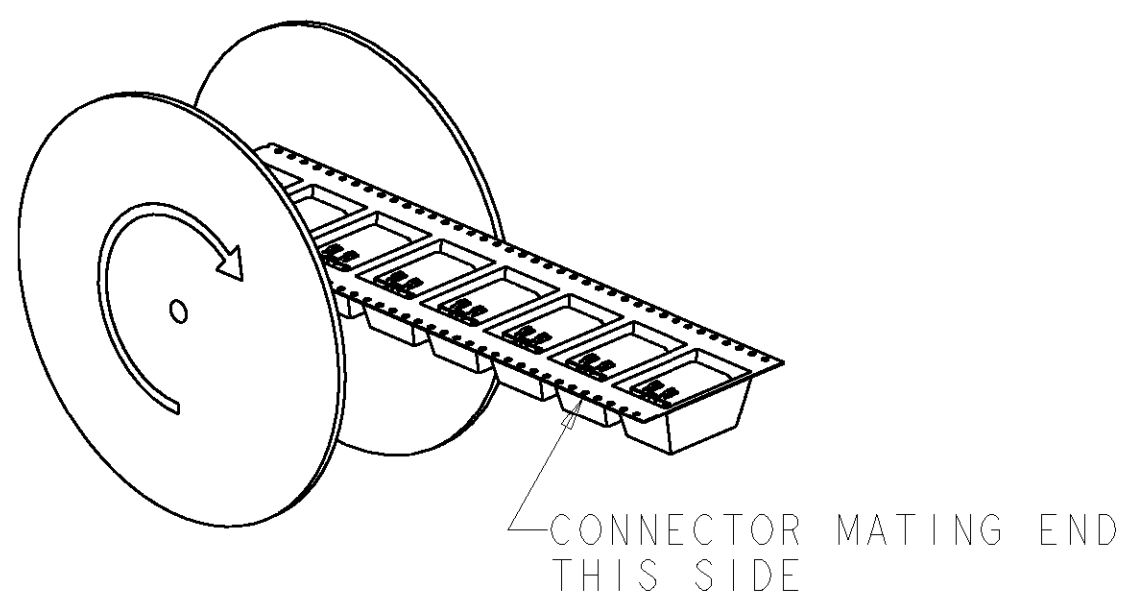
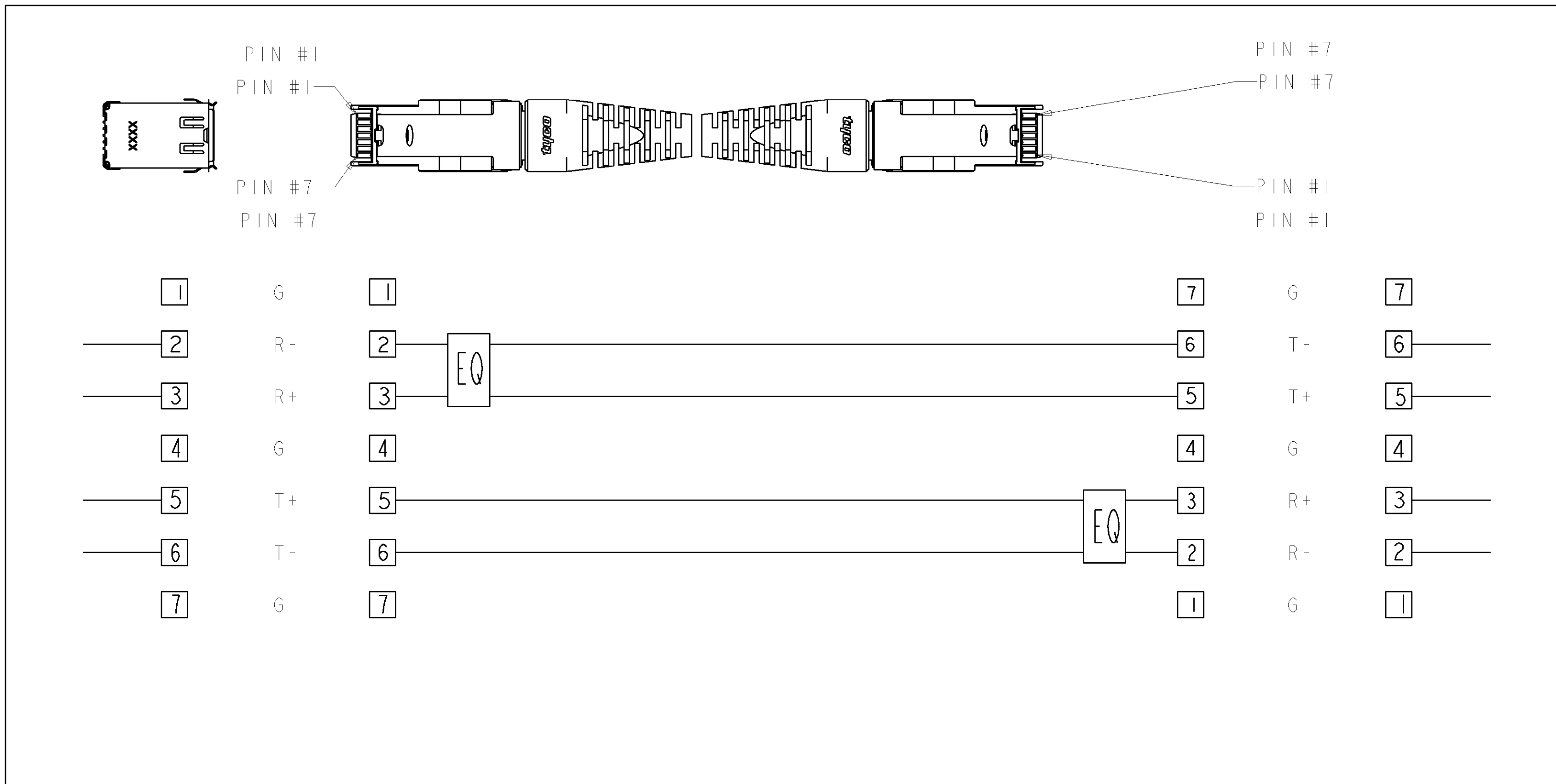


RECOMMENDED PCB AND PANEL LAYOUT
CONNECTOR SIDE SHOWN

THIS DRAWING IS A CONTROLLED DOCUMENT FOR TYCO ELECTRONICS CORPORATION IT IS SUBJECT TO CHANGE AND THE CONTROLLING ENGINEERING ORGANIZATION SHOULD BE CONTACTED FOR THE LATEST REVISION.		DWN B. CRISAMORE 23OCT00	Tyco Electronics Harrisburg, PA 17105-3608	
DIMENSIONS: mm		CHK KEITH MURR 23OCT00	NAME RECEPTACLE ASSEMBLY, FIBRE CHANNEL, SURFACE MOUNT, SINGLE ROW, HSSDC2	
TOLERANCES UNLESS OTHERWISE SPECIFIED:		APVD R. A. KIRKER 23OCT00	PRODUCT SPEC -	
0 PLC ± 1 PLC ± 2 PLC ±0.13 3 PLC ± 4 PLC ±		APPLICATION SPEC -	SIZE A2	CAGE CODE 00779
ANGLES ±3° FINISH		WEIGHT -	DRAWING NO 1364927	RESTRICTED TO -
MATERIAL -		CUSTOMER DRAWING	SCALE 4:1	SHEET 2 OF 3
			REV E1	

THIS DRAWING IS UNPUBLISHED. RELEASED FOR PUBLICATION 20
 © COPYRIGHT 20 BY TYCO ELECTRONICS CORPORATION. ALL RIGHTS RESERVED.

LOC	DIST	REVISIONS			
P	LTR	DESCRIPTION	DATE	DWN	APVD
GP	00	E1	SEE SHEET 1	-	-



TAPE AND REEL
 PACKAGING ORIENTATION SCALE: NTS

PIN ASSIGNMENTS
 REFERENCE ONLY
 SCALE: NTS

<small>THIS DRAWING IS A CONTROLLED DOCUMENT FOR TYCO ELECTRONICS CORPORATION. IT IS SUBJECT TO CHANGE AND THE CONTROLLING ENGINEERING ORGANIZATION SHOULD BE CONTACTED FOR THE LATEST REVISION.</small>		DWN B. CRISAMORE 230CT00 CHK KEITH MURR 230CT00 APVD R. A. KIRKER 230CT00	AMP Tyco Electronics Harrisburg, PA 17105-3608
DIMENSIONS: mm 	TOLERANCES UNLESS OTHERWISE SPECIFIED: 0 PLC ± 1 PLC ± 2 PLC ±0.13 3 PLC ± 4 PLC ± ANGLES ±3° FINISH	NAME RECEPTACLE ASSEMBLY, FIBRE CHANNEL, SURFACE MOUNT, SINGLE ROW, HSSDC2 PRODUCT SPEC - APPLICATION SPEC - WEIGHT - CUSTOMER DRAWING	SIZE A2 CAGE CODE 00779 DRAWING NO. 1364927 RESTRICTED TO - SCALE 4:1 SHEET 3 OF 3 REV E1