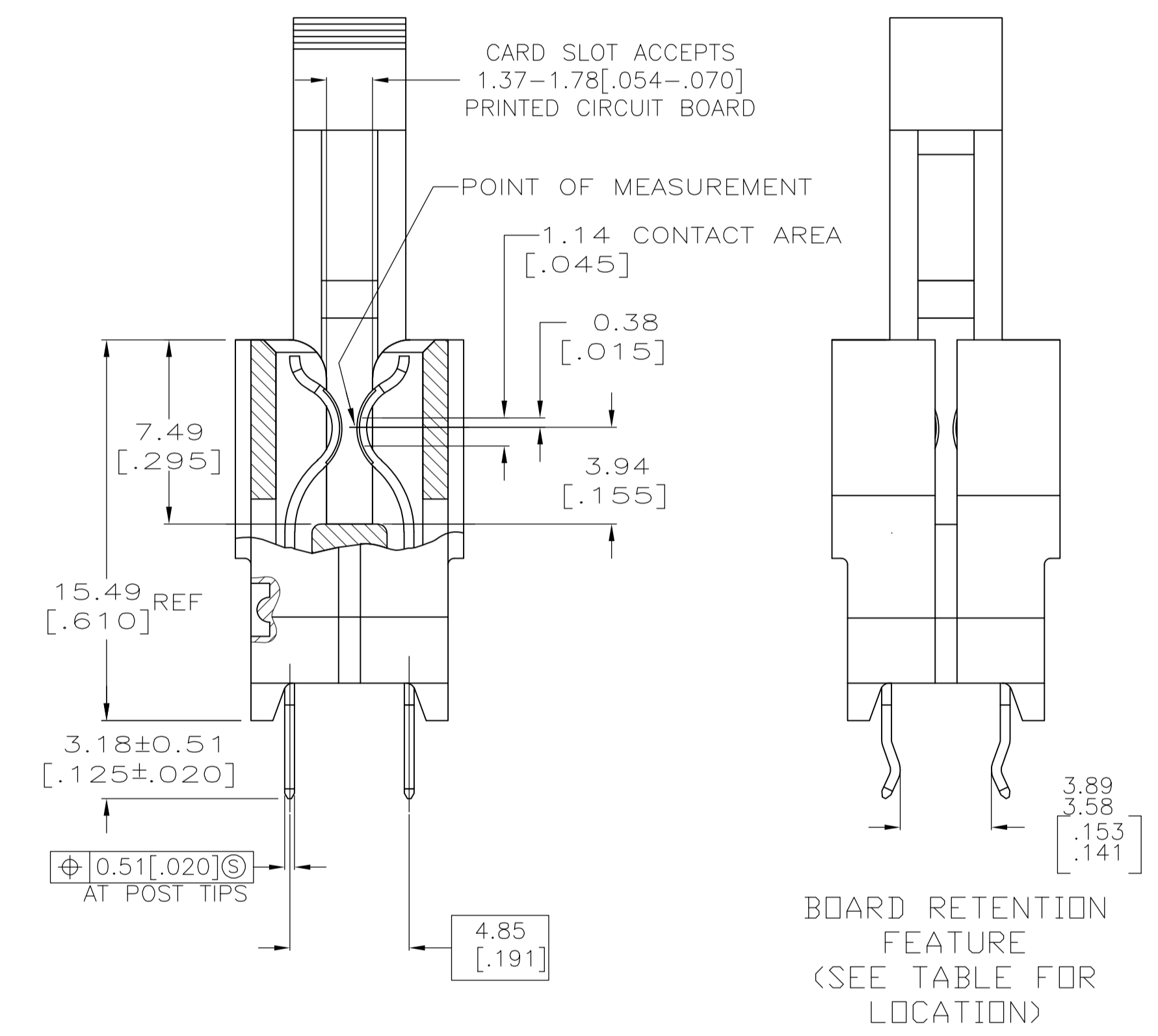
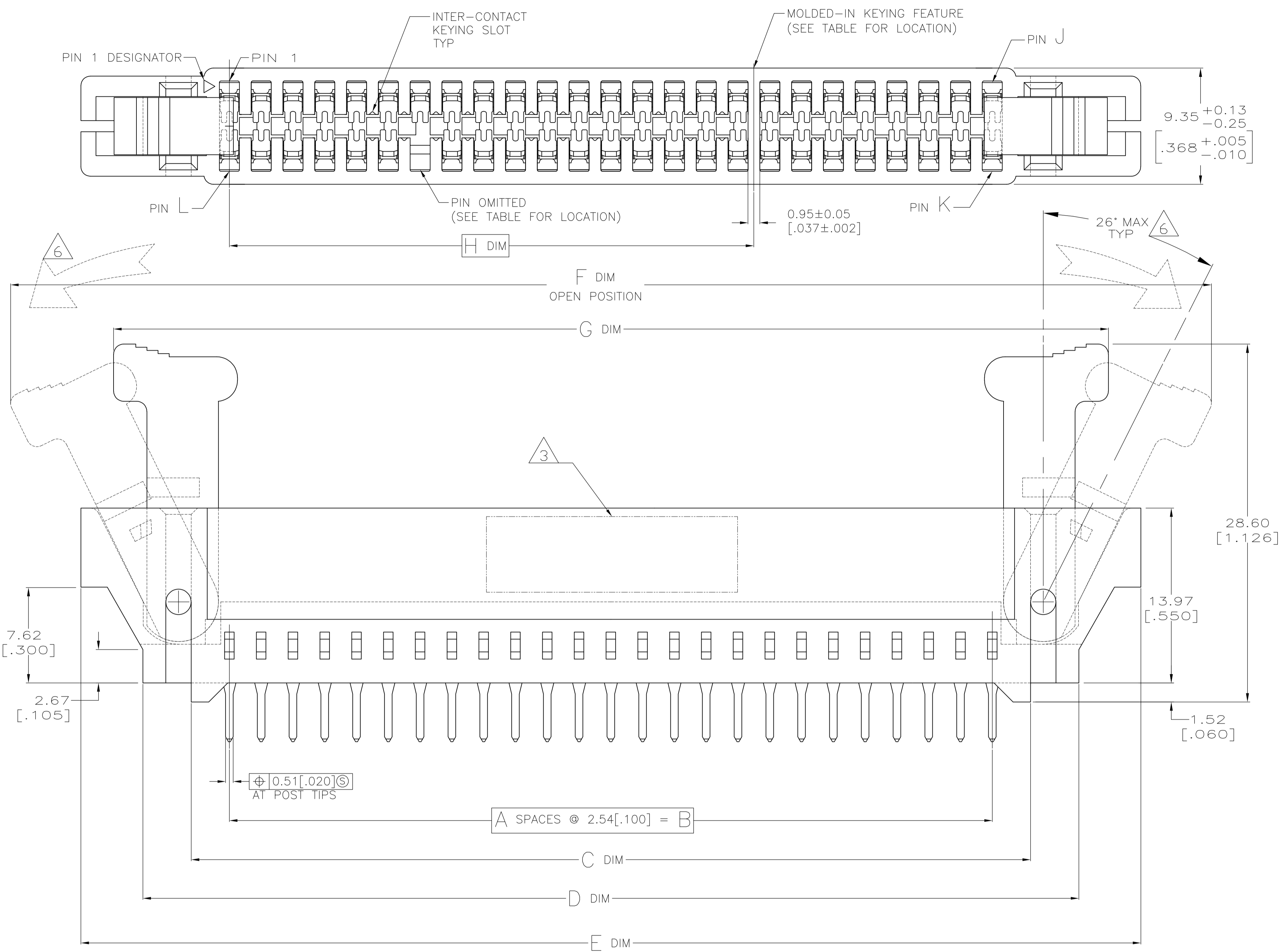


- MATERIAL:
 HOUSING: GLASS FILLED POLYESTER; COLOR: BLACK
 CONTACT: PHOSPHOR BRONZE
 LATCH: GLASS FILLED POLYESTER, COLOR: BLACK
- FINISH:
 0.00076[.000030] GOLD PLATE IN CONTACT AREA,
 0.00254[.000100] MIN TIN-LEAD ON SOLDER POSTS, ALL
 OVER 0.00127[.000050] MIN NICKEL
- AMP LOGO, TE PART NUMBER, DATE CODE AND CSA LOGO INK
 STAMPED WHITE (HOT STAMPED OR LAZER PRINTED) IN THE APPROXIMATE
 AREA SHOWN, EITHER SIDE PERMISSABLE, WHEN HOUSING SIZE PERMITS
- DATUMS AND BASIC DIMENSIONS ESTABLISHED BY CUSTOMER
- CONNECTORS SHOWN ARE USED IN APPLICATIONS WITH VRM MODULES WEIGHING
 3 OUNCES OR LESS. ALTERNATE CONNECTOR AND LATCH METHOD IS AVAILABLE FOR
 VRM MODULES WEIGHING UP TO 6 OUNCES.
- CAUTION: LATCHES ARE INTENDED FOR RETENTION OF PC BOARD TO CONNECTOR,
 DO NOT ATTEMPT TO FULLY EJECT PC BOARD FROM CONNECTOR WHILE DISENGAGING
 LATCHES. DAMAGE TO LATCHES AND OR CONNECTOR MAY OCCUR
- THE RETENTION FEATURE OF THIS CONNECTOR IS DESIGNED FOR
 FULL SEATING IN 1.57±0.20[.062±.008] THICK CIRCUIT BOARDS.
 FOR APPLICATIONS IN BOARDS OF OTHER THICKNESSES, CONTACT
 TYCO ELECTRONICS

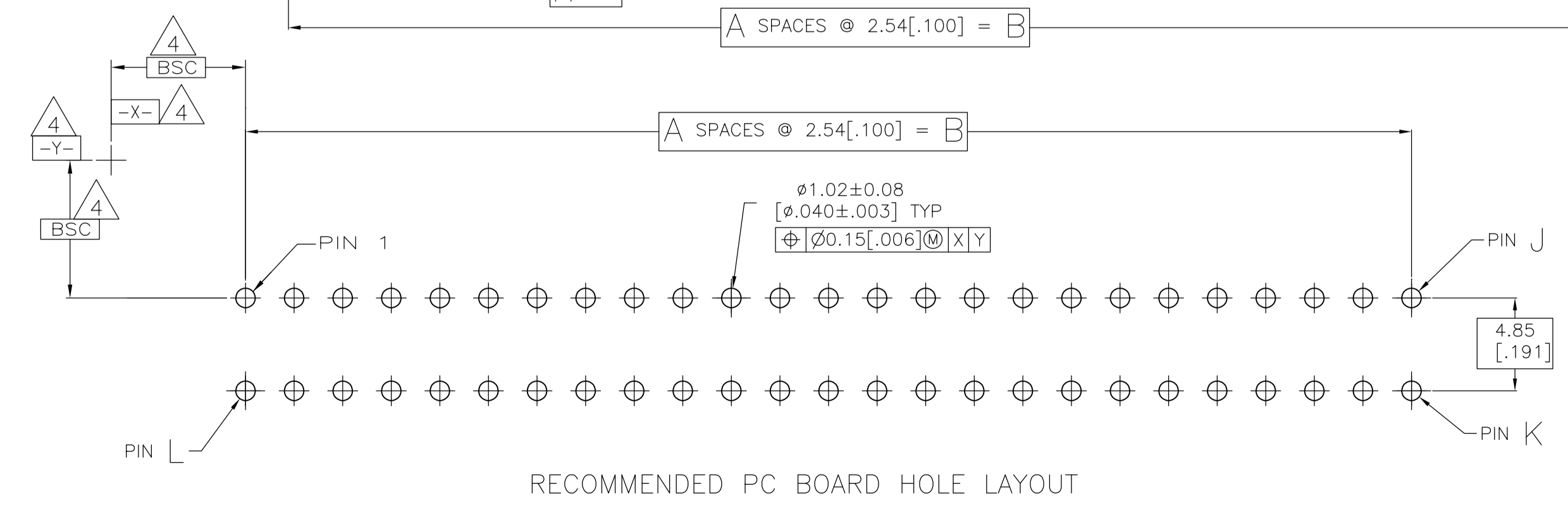
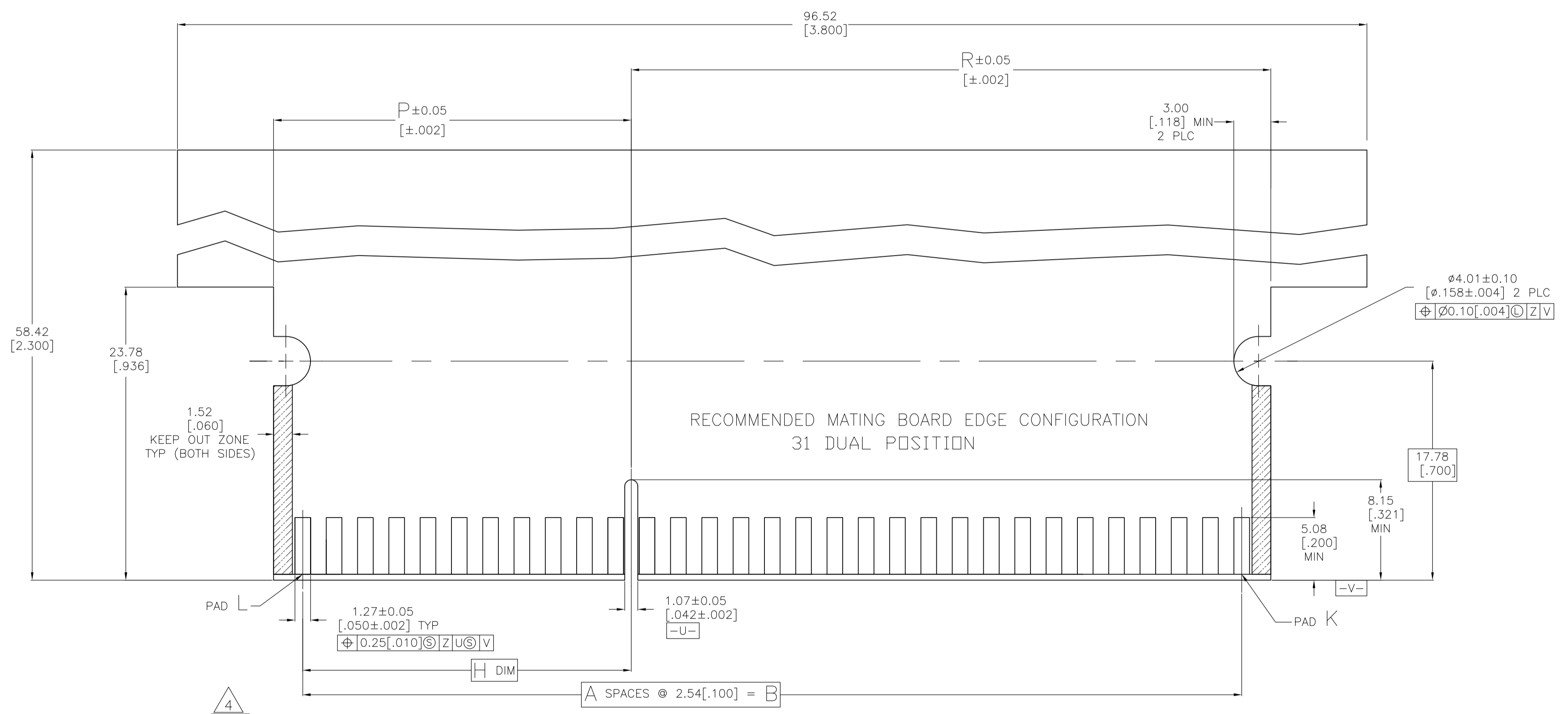
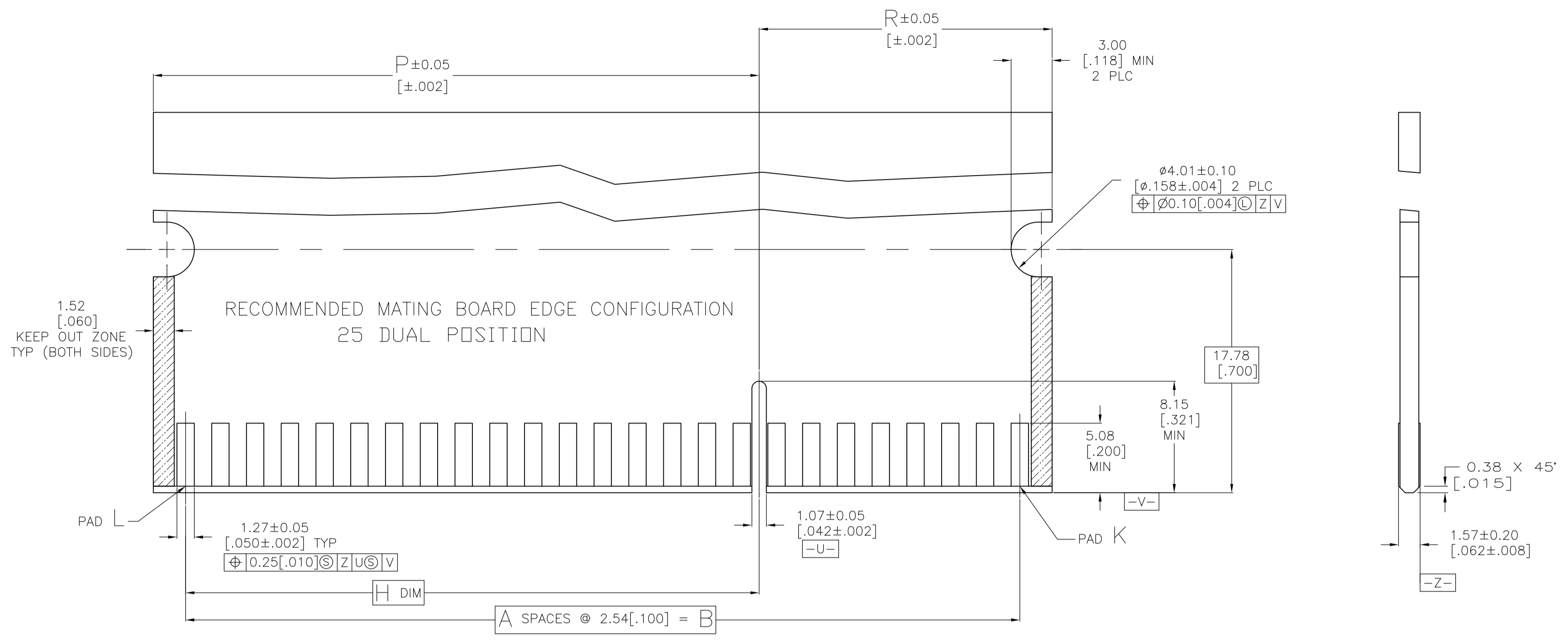


OBSELETE 1364666-4
 PART NUMBER

8.5, +12V	2,3,23,24,27,28,48,49	17 & 18	44	21.41 [.843]	44.27 [1.743]	50	26	25	41.91 [1.650]	81.86 [3.223]	97.76 [3.849]	84.68 [3.334]	74.78 [2.944]	67.28 [2.649]	60.96 [2.400]	24	25	1364666-2
9.0, +12V	2,3,29,30,33,34,60,61	11 & 12	6	51.89 [2.043]	28.96 [1.140]	62	32	31	26.67 [1.050]	97.10 [3.823]	113.00 [4.449]	99.92 [3.934]	90.02 [3.544]	82.52 [3.249]	76.20 [3.000]	30	31	1364666-1
VRM DESIGNATION	BOARD RETENTION FEATURE LOCATION	MOLDED-IN KEYING FEATURE LOCATED BETWEEN PINS	OMITTED PIN & HOLE	R	P	L	K	J	H	G	F	E	D	C	B	A	NO OF DUAL POSITIONS	PART NUMBER

THIS DRAWING IS A CONTROLLED DOCUMENT.

DIMENSIONS: mm [INCHES]	TOLERANCES UNLESS OTHERWISE SPECIFIED:	0 PLC ± -	1 PLC ± -	2 PLC ± 0.13[.005]	3 PLC ± -	4 PLC ± -	ANGLES ± 2°
SEE NOTE 1	SEE NOTE 2	DWN: AWF/L.A.MAYER 31MAR2008 CHK: A.W.FRANTUM 31MAR2008 APVD: S.FLICKINGER 31MAR2008 NAME: S.FLICKINGER PRODUCT SPEC: 108-9039-1 APPLICATION SPEC: 114-13018 WEIGHT: - CUSTOMER DRAWING: -					
Tyco Electronics Corporation Harrisburg, PA 17105-3608		CONNECTOR ASSEMBLY, STANDARD EDGE II, DUAL POSITION, 2.54[.100] CENTERLINE SIZE: A1 CAGE CODE: 00779 DRAWING NO: 1364666 RESTRICTED TO: - SCALE: 5:1 SHEET 1 OF 2 REV L					



THIS DRAWING IS A CONTROLLED DOCUMENT.		DIN AWF/L.A.MAYER 31MAR2008	Tyco Electronics Corporation Harrisburg, PA 17105-3608	
DIMENSIONS: mm [INCHES]		CHK A.W.FRANTUM 31MAR2008	NAME S.FLICKINGER	
TOLERANCES UNLESS OTHERWISE SPECIFIED:		APVD S.FLICKINGER 31MAR2008	PRODUCT SPEC 108-9039-1	
0 PLC ± -		APPLICATION SPEC 114-13018		
1 PLC ± -		SIZE CAE CODE DRAWING NO A1 00779		
2 PLC ± 0.13 [.005]		WEIGHT -		
3 PLC ± -		CUSTOMER DRAWING		
4 PLC ANGLES ± ± 2°		SCALE 4:1 SHEET 2 OF 2 REV L		