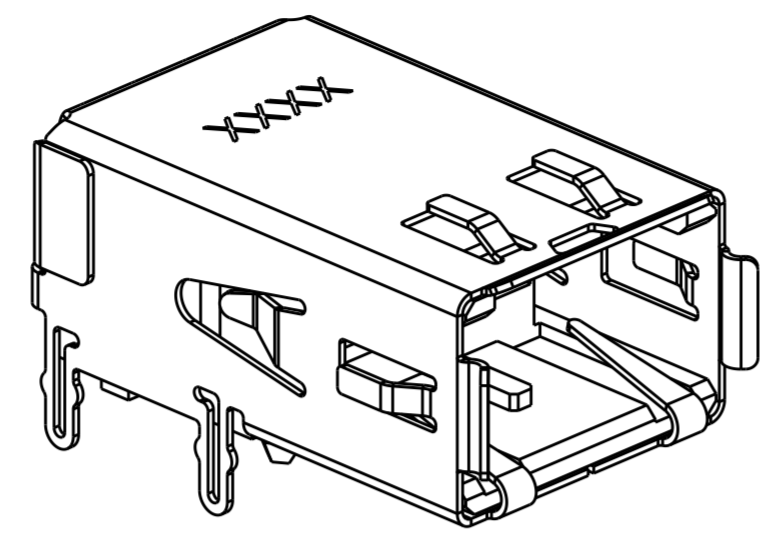
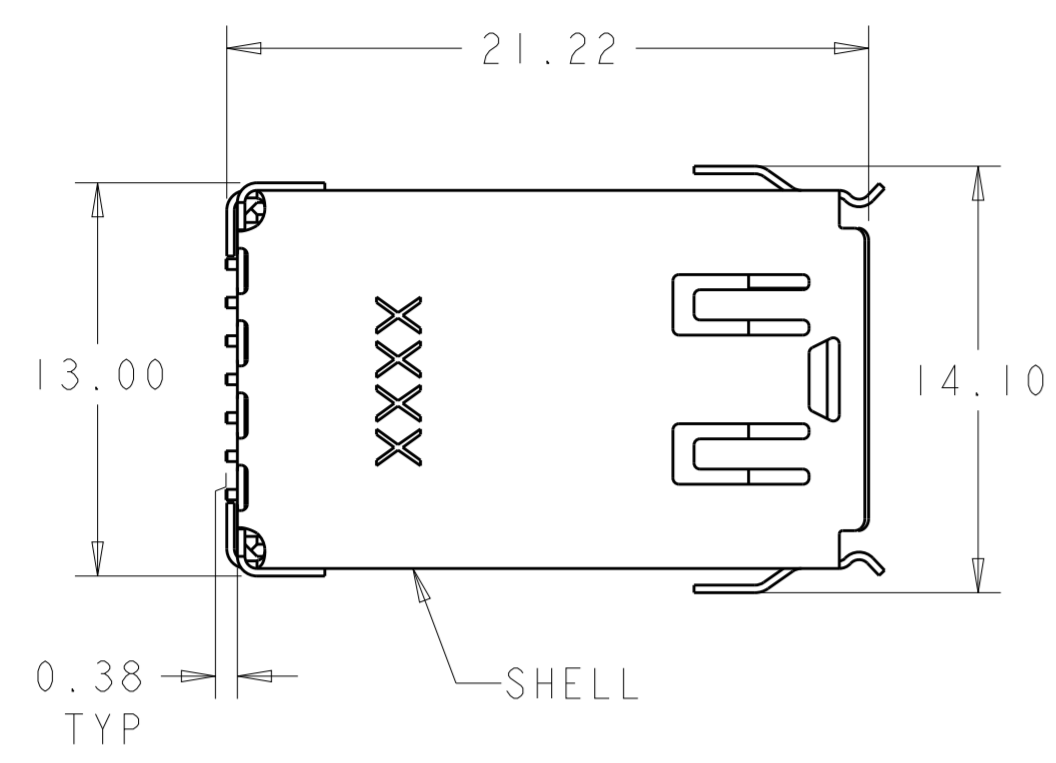
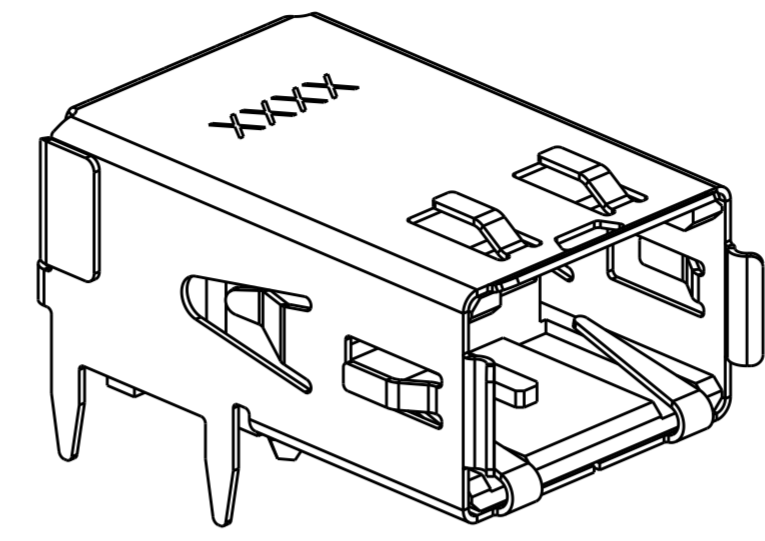


THIS DRAWING IS UNPUBLISHED. RELEASED FOR PUBLICATION 20
 © COPYRIGHT 20 BY - ALL RIGHTS RESERVED.

REVISIONS				
P	LTR	DESCRIPTION	DATE	APVD

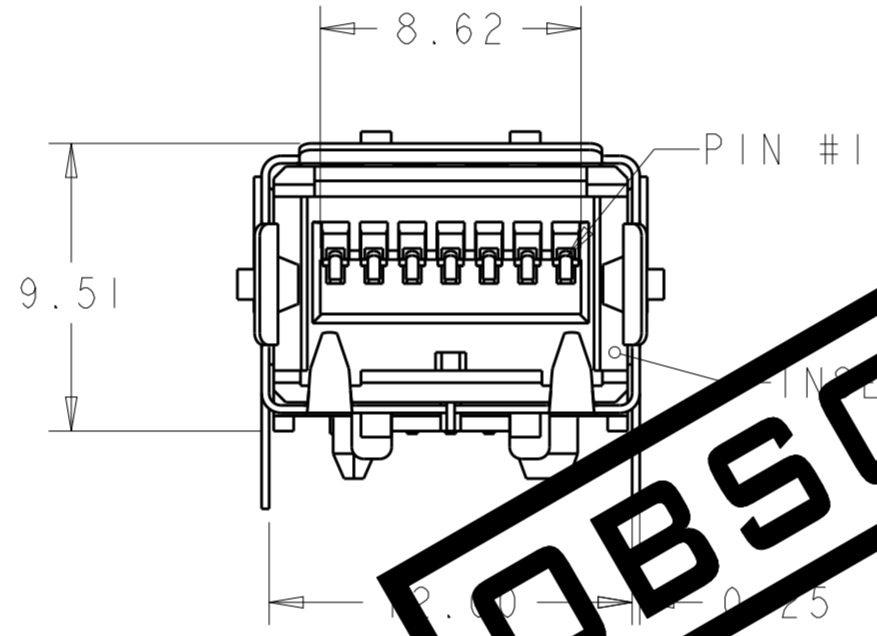
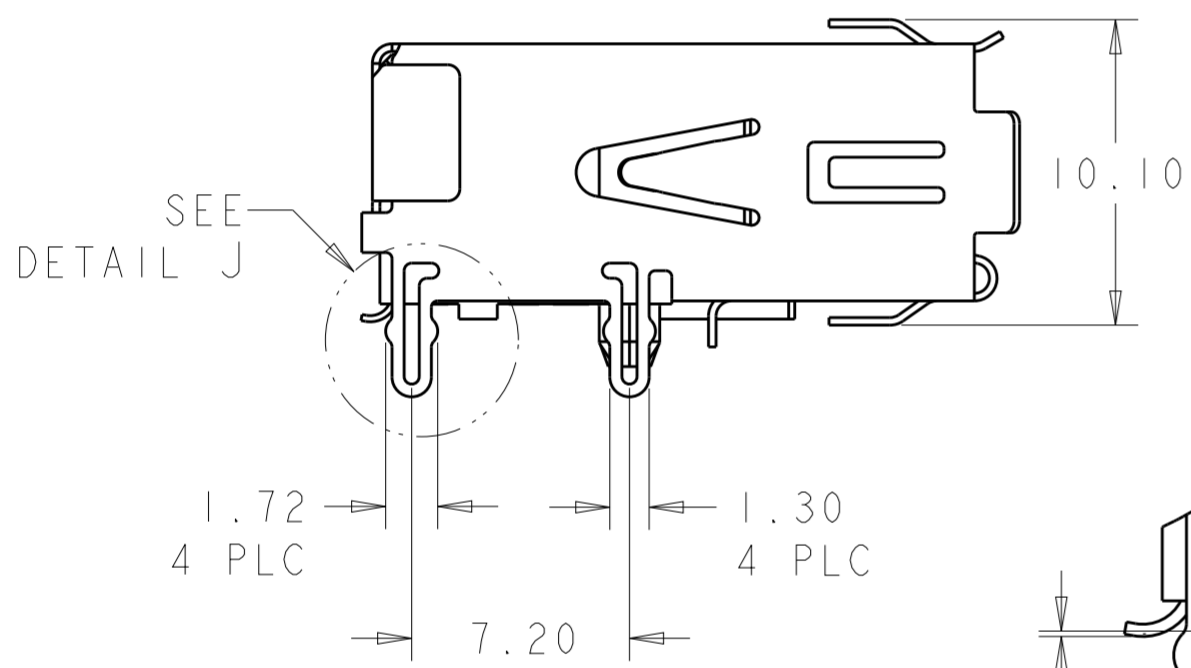


1364532-1
SOLDER TAIL WITH BOARDLOCK

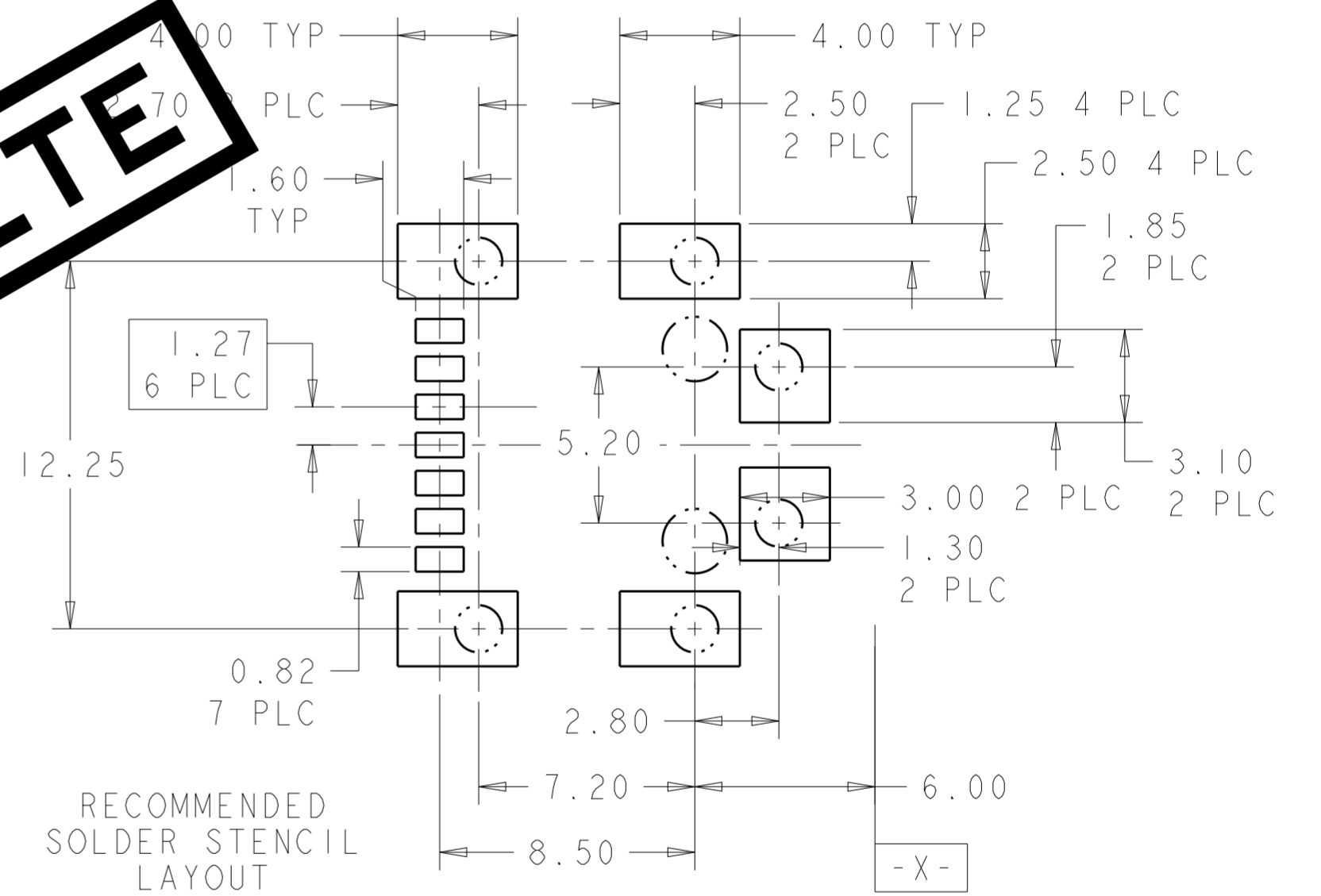


1364532-2
SOLDER TAIL

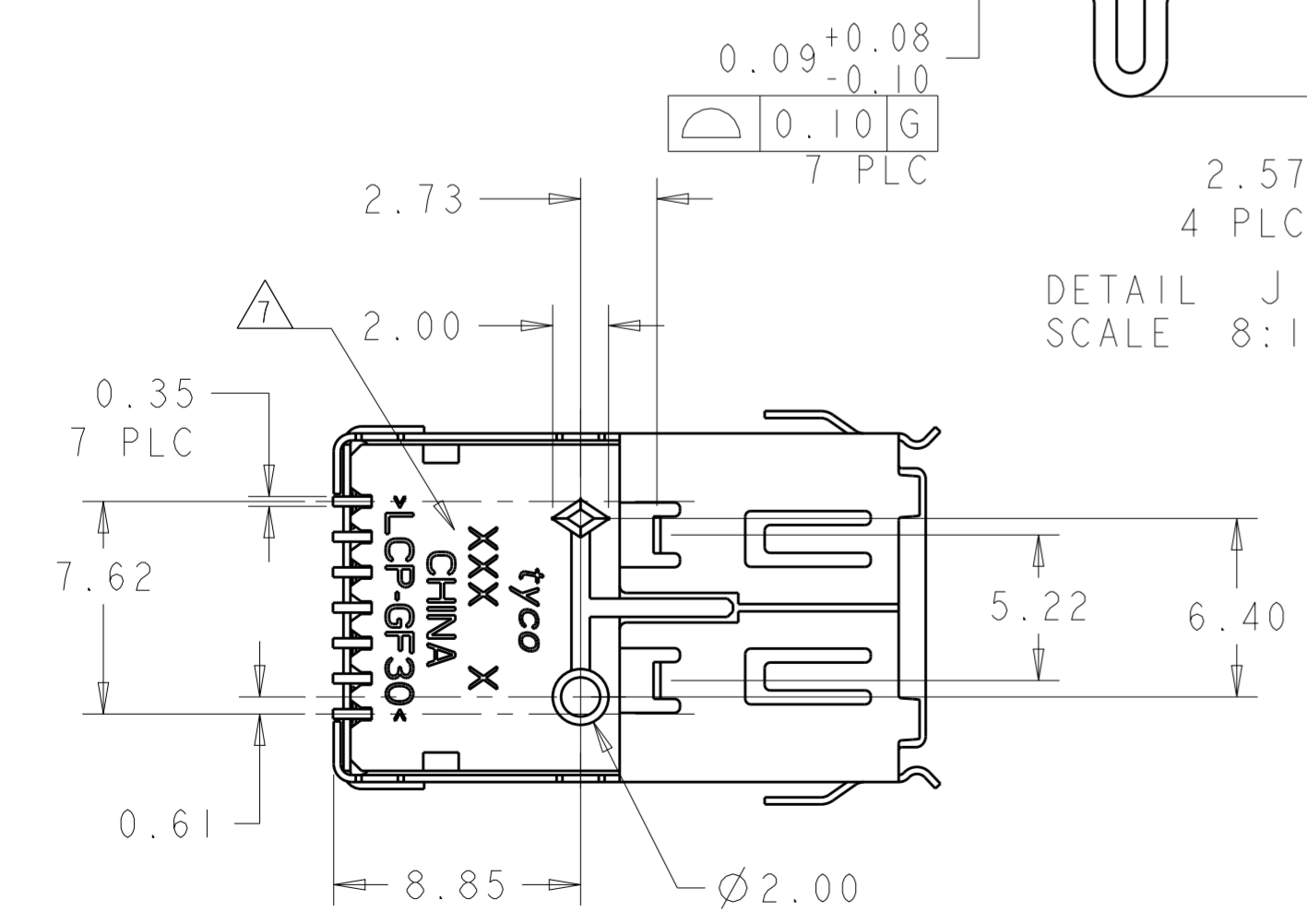
- 1 INSERT: LCP, UL 94V-0 RATED.
CONTACTS: COPPER ALLOY
SHELL: PHOSPHOR BRONZE.
- 2 CONTACTS: 1.27µm MINIMUM GOLD OVER
3.81µm MINIMUM NICKEL ON MATING END.
3.81µm MINIMUM TIN-LEAD OVER
1.27µm MINIMUM NICKEL ON SOLDER TAILS.
SHELL: 3µm MINIMUM TIN OVER
1.27µm MINIMUM NICKEL.
- 3 DATUM AND BASIC DIMENSION ESTABLISHED BY CUSTOMER.
- 4 LOCATION OF STANDOFF CONTACTING THE BOARD.
- 5 PACKAGED IN TRAY.
- 6 PACKAGED TAPE AND REEL.
- 7 TYCO LOGO, COUNTRY OF ORIGIN, MATERIAL CODE, BUILDING NUMBER AND MOLD CAVITY ID ARE FROSTED ON THIS SURFACE.



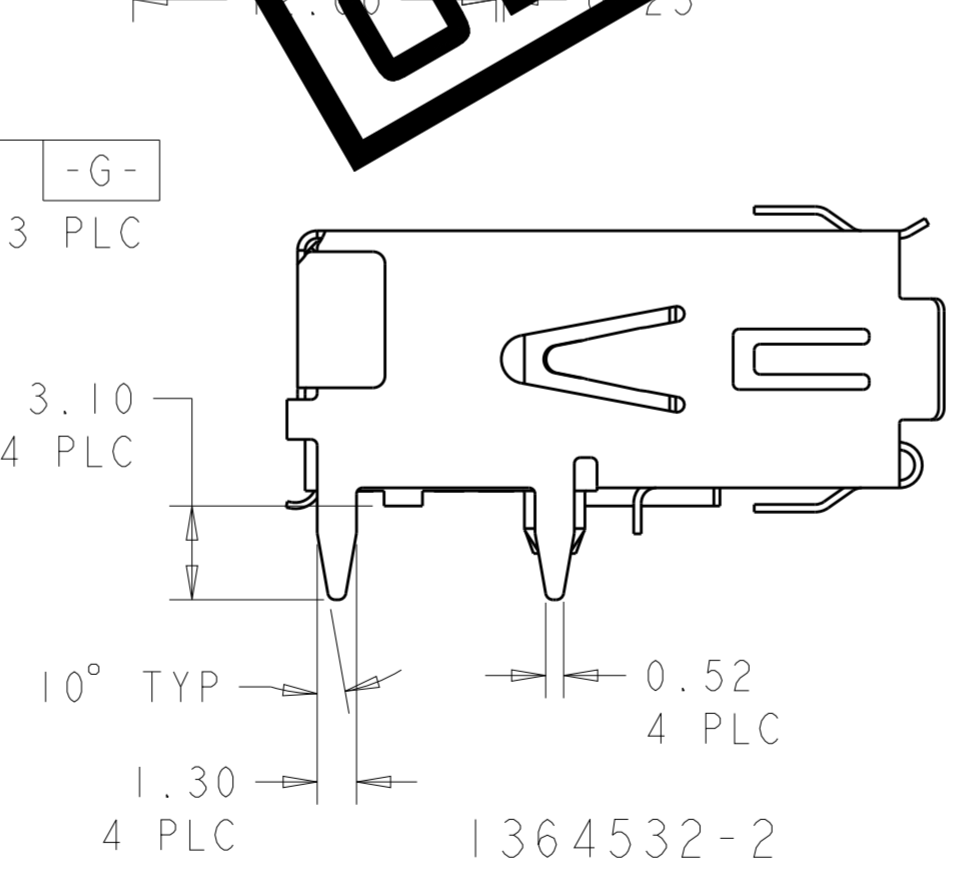
OBSOLETE



RECOMMENDED
SOLDER STENCIL
LAYOUT
SCALE 5:1



DETAIL J
SCALE 8:1



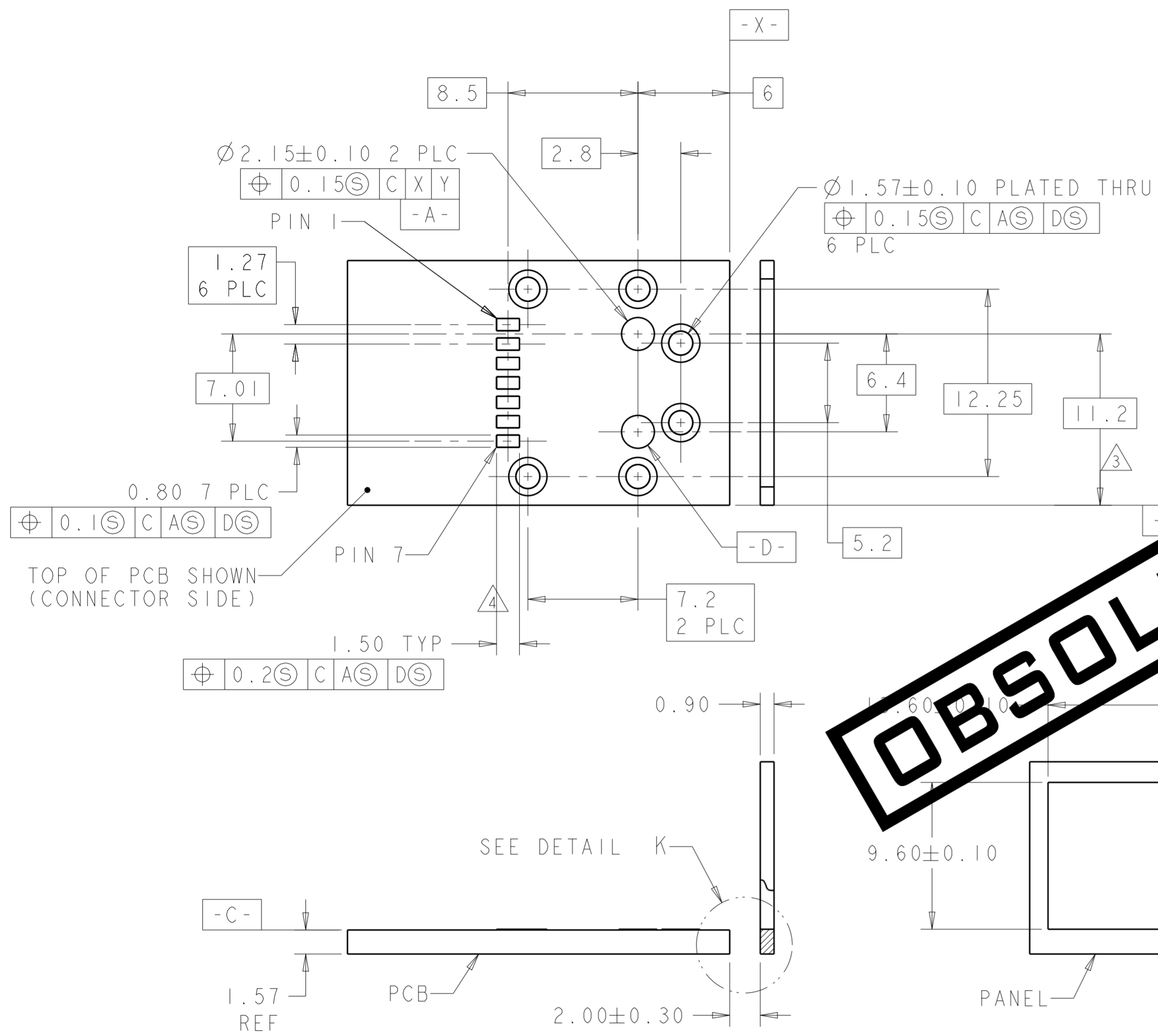
1364532-2

OBSOLETE	6	SAME AS 1364532-1	1364532-4
OBSOLETE	5	SAME AS 1364532-2	1364532-3
OBSOLETE	6	SOLDER TAIL	1364532-2
OBSOLETE	5	SOLDER TAIL WITH BOARDLOCK	1364532-1
PACKAGING		DESCRIPTION	PART NUMBER

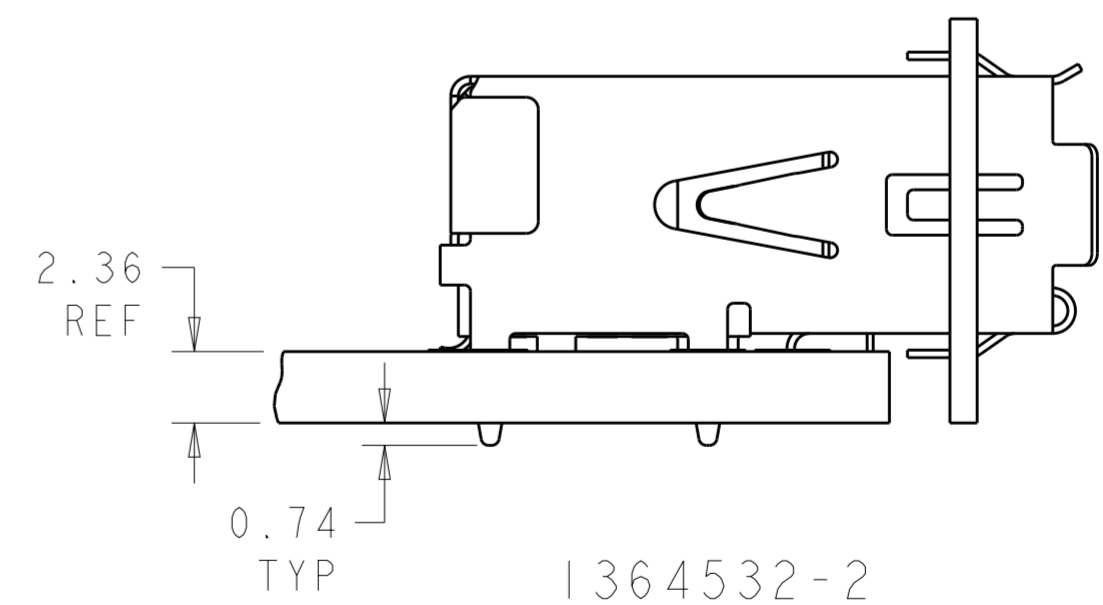
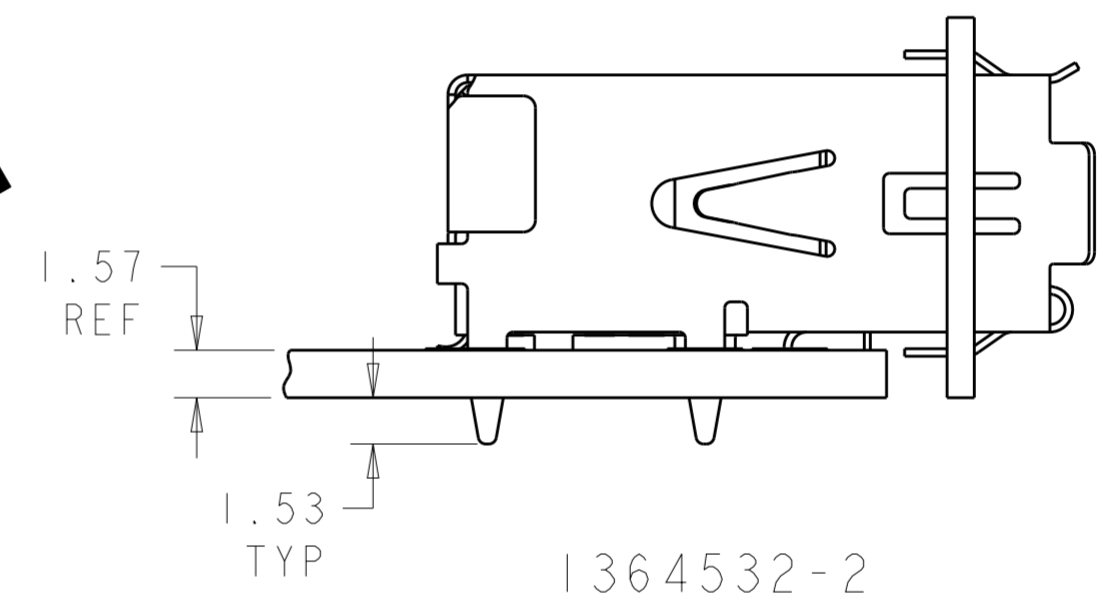
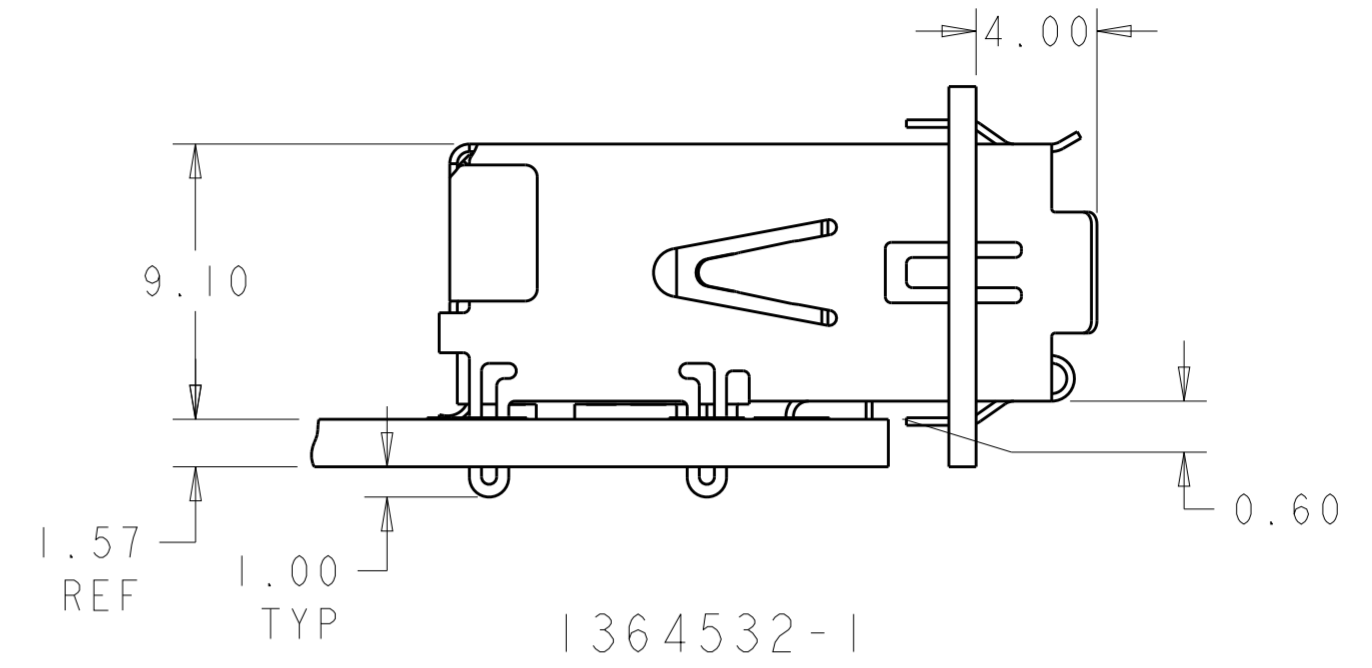
THIS DRAWING IS A CONTROLLED DOCUMENT.		DWN R. GRZYBOWSKI 23MAY2000	TE Connectivity	
DIMENSIONS: mm		CHK M. YEOMANS 23MAY2000		
TOLERANCES UNLESS OTHERWISE SPECIFIED:		APVD R. A. KIRKER 23MAY2000	NAME RECEPTACLE ASSEMBLY, INFINIBAND, SURFACE MOUNT, SINGLE ROW, HSSDC2	
0 PLC ±	1 PLC ±	PRODUCT SPEC 108-1965	SIZE A2	CAGE CODE G-1364532
2 PLC ±0.13	3 PLC ±	APPLICATION SPEC 114-13028	RESTRICTED TO	
4 PLC ±	ANGLES ±3°	WEIGHT 2.71	SCALE 4:1	SHEET 1 OF 3
MATERIAL	FINISH	CUSTOMER DRAWING	REV D2	

THIS DRAWING IS UNPUBLISHED. RELEASED FOR PUBLICATION 20
 © COPYRIGHT 20 BY - ALL RIGHTS RESERVED.

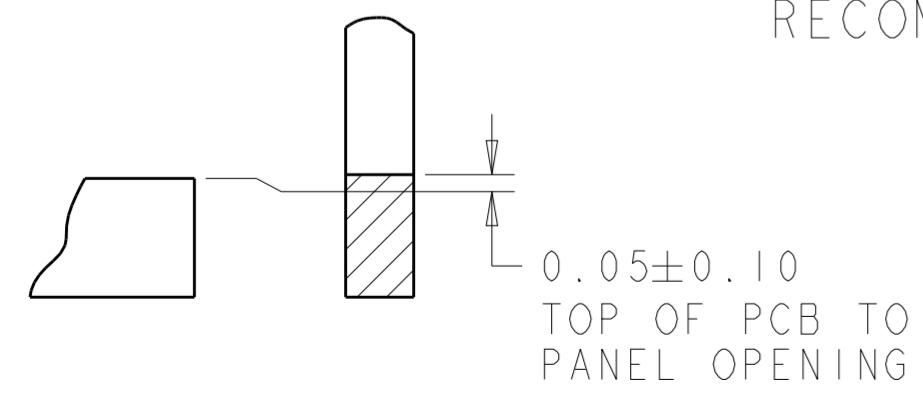
REVISIONS				
P	LTR	DESCRIPTION	DATE	APVD
-	-	SEE SHEET 1	-	-



OBsolete



RECOMMENDED PCB AND PANEL LAYOUT
CONNECTOR SIDE SHOWN

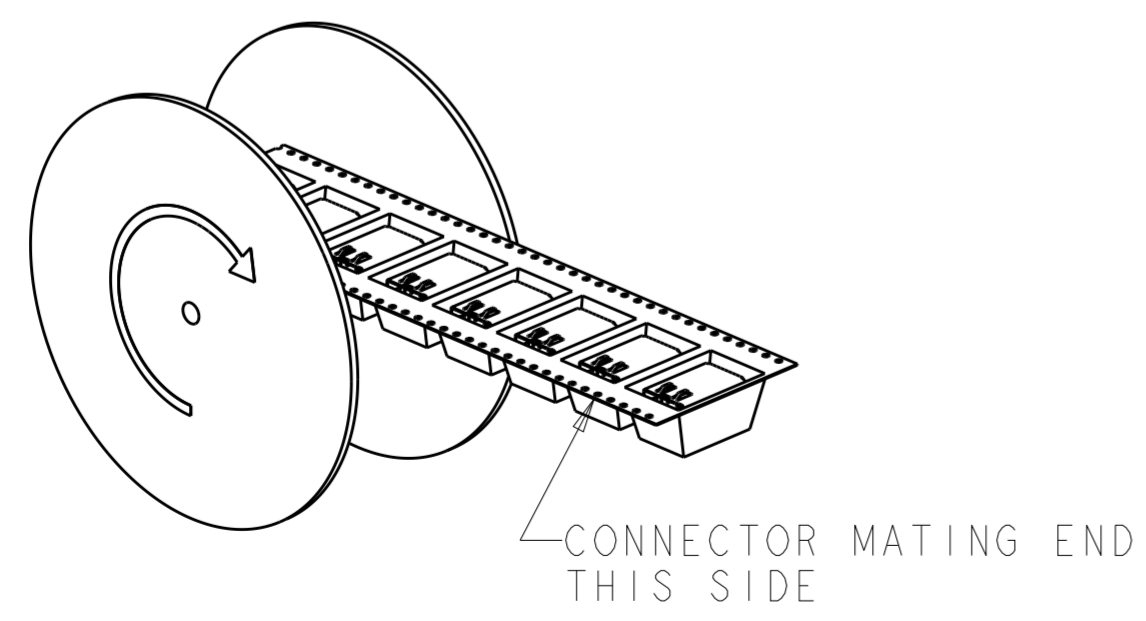
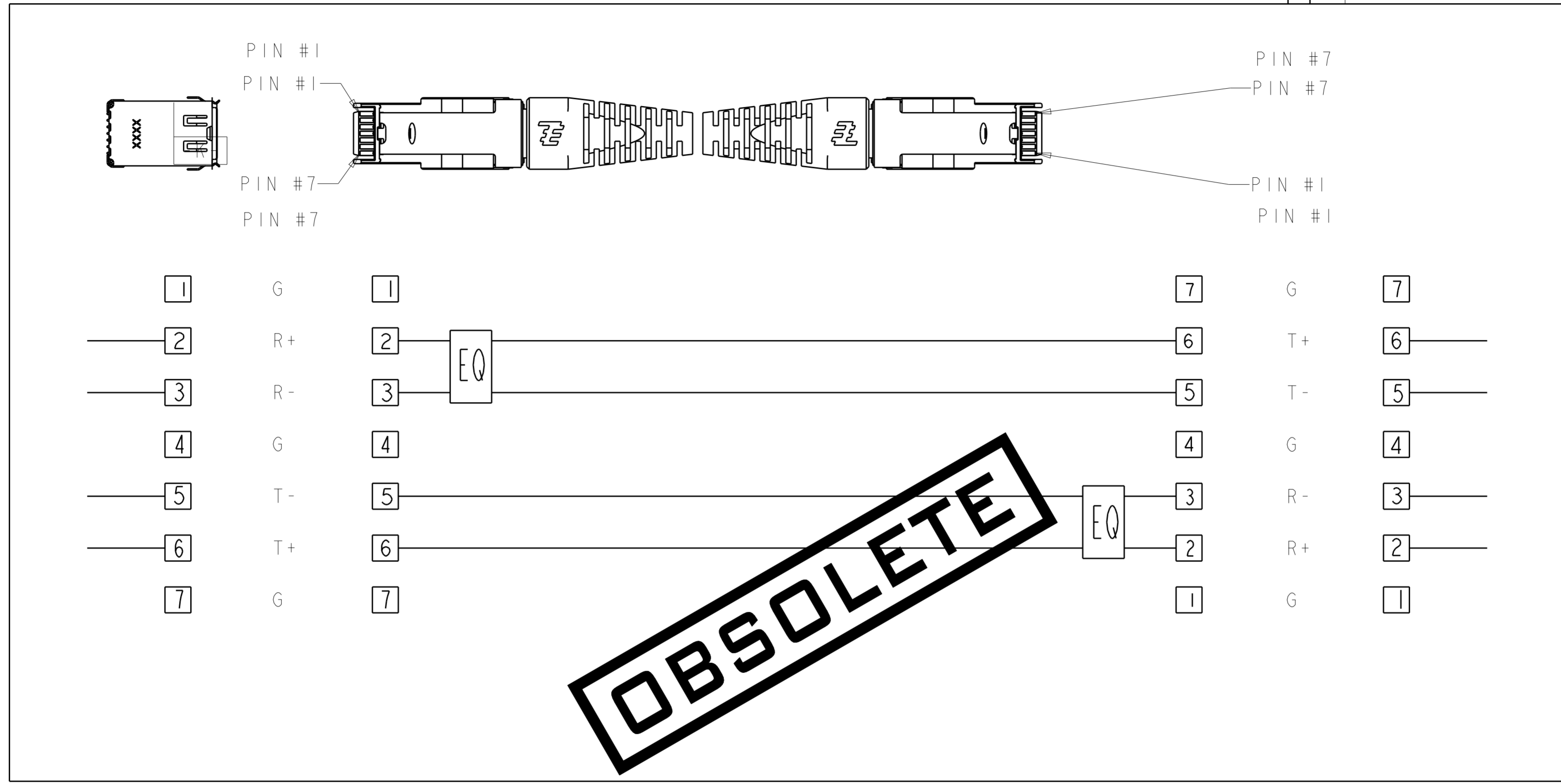


DETAIL K
SCALE 10:1

THIS DRAWING IS A CONTROLLED DOCUMENT.		DWN R. GRZYBOWSKI 23MAY2000	TE Connectivity	
DIMENSIONS: mm		CHK M. YEOMANS 23MAY2000		
TOLERANCES UNLESS OTHERWISE SPECIFIED:		APVD R. A. KIRKER 23MAY2000	NAME RECEPTACLE ASSEMBLY, INFINIBAND, SURFACE MOUNT, SINGLE ROW, HSSDC2	
0 PLC ±		PRODUCT SPEC 108-1965	SIZE A2	
1 PLC ±		APPLICATION SPEC 114-13028	CAGE CODE C-1364532	
2 PLC ±0.13		WEIGHT 2.71	DRAWING NO -	
3 PLC ±		CUSTOMER DRAWING	RESTRICTED TO -	
4 PLC ±		SCALE 4:1	SHEET 2 OF 3	
ANGLES ±3°			REV D2	
FINISH				

THIS DRAWING IS UNPUBLISHED. RELEASED FOR PUBLICATION 20
 © COPYRIGHT 20 BY - ALL RIGHTS RESERVED.

REVISIONS				
P	LTR	DESCRIPTION	DATE	APVD
-		SEE SHEET 1	-	-



TAPE AND REEL
 PACKAGING ORIENTATION
 SCALE: NTS

PIN ASSIGNMENTS
 REFERENCE ONLY
 SCALE: NTS

THIS DRAWING IS A CONTROLLED DOCUMENT.		DWN R. GRZYBOWSKI 23MAY2000	TE Connectivity	
		CHK M. YEOMANS 23MAY2000		
		APVD R. A. KIRKER 23MAY2000	NAME RECEPTACLE ASSEMBLY, INFINIBAND, SURFACE MOUNT, SINGLE ROW, HSSDC2	
DIMENSIONS: mm		PRODUCT SPEC 108-1965	SIZE A2	CAGE CODE C-1364532
TOLERANCES UNLESS OTHERWISE SPECIFIED: 0 PLC ± 1 PLC ± 2 PLC ±0.13 3 PLC ± 4 PLC ± ANGLES ±3° FINISH		APPLICATION SPEC 114-13028	RESTRICTED TO -	SCALE 3:2
MATERIAL		WEIGHT 2.71	SHEET 3 OF 3	REV D2
		CUSTOMER DRAWING		