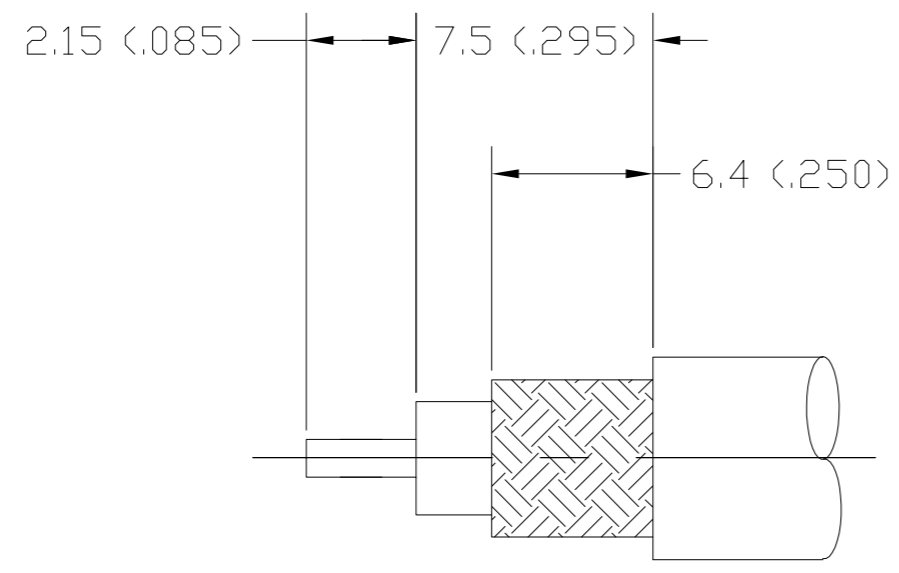
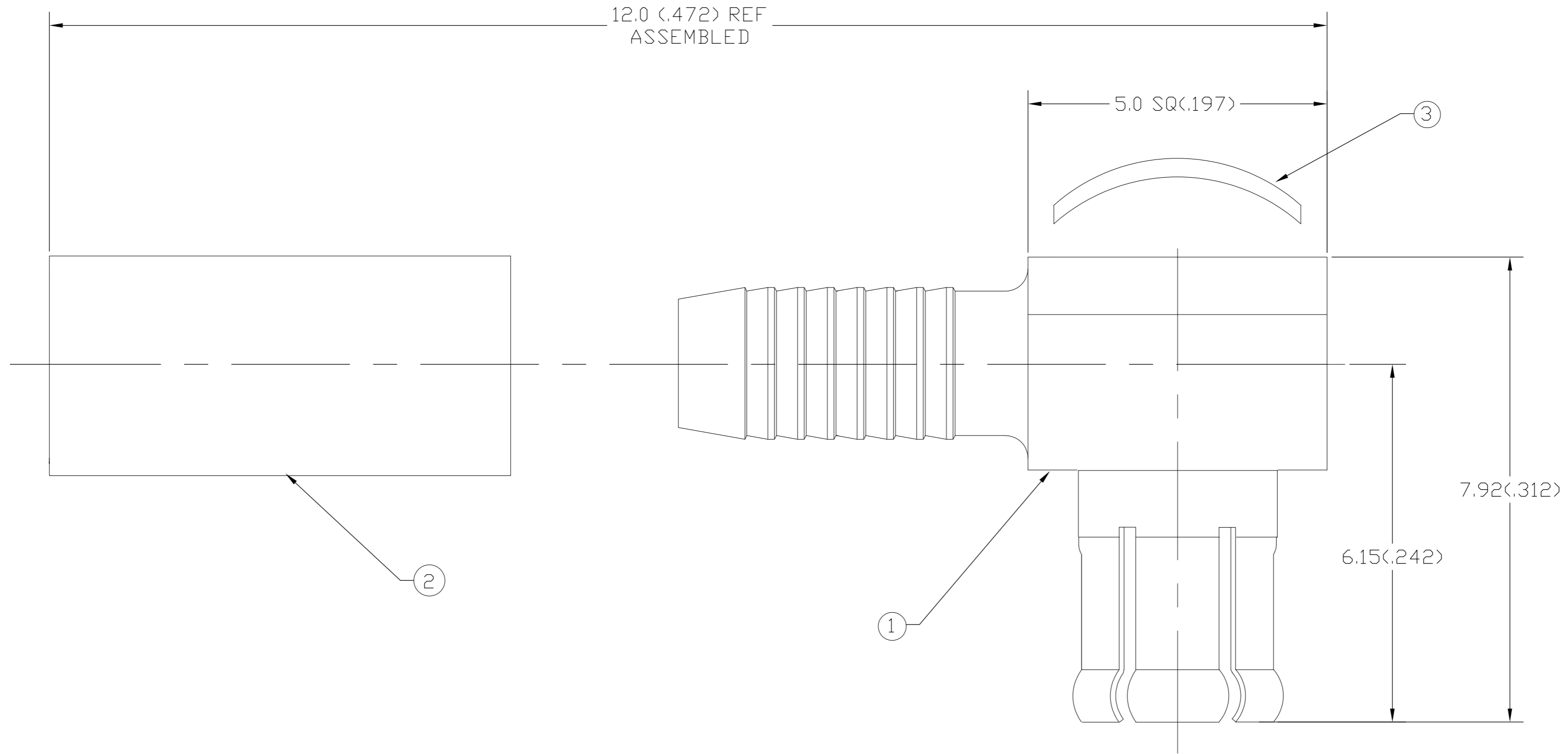


THIS DRAWING IS UNPUBLISHED. RELEASED FOR PUBLICATION
 © COPYRIGHT - By - ALL RIGHTS RESERVED.

LOC	DIST	REVISIONS			
P	LTR	DESCRIPTION	DATE	DWN	APVD
AJ	00	REV PER ECO-13-011283	09DEC2013	G.C	M.Y



CABLE TRIM DIMENSIONS

	RD316	GOLD	3-1403081-6	3-413889-2	1408228-4	1363301-2
OBSOLETE	RD316	NICKEL	3-1403081-3	2-413889-7	1408228-3	1363301-1
	CABLE SIZE	HOUSING PLATE	CAP ③ QTY=1	FERRULE ② QTY=1	HSG ASSY ① QTY=1	PART NUMBER

THIS DRAWING IS A CONTROLLED DOCUMENT.		DWN RMF 12MAR01	TE Connectivity			
DIMENSIONS: mm [INCHES]		CHK RMF 12MAR01	NAME			
TOLERANCES UNLESS OTHERWISE SPECIFIED:		APVD RMF 12MAR01	MCX RIGHT ANGLE CABLE PLUG CRIMP/SOLDER			
0 PLC ± -		PRODUCT SPEC	SIZE CAGE CODE DRAWING NO			
1 PLC ± -		APPLICATION SPEC	A2 00779 C=1363301			
2 PLC ± .13		408-8328	RESTRICTED TO			
3 PLC ± -		WEIGHT -	-			
4 PLC ± -		CUSTOMER DRAWING	SCALE 20:1 SHEET 1 OF 1 REV F			
ANGLES ± 1°						
FINISH -						