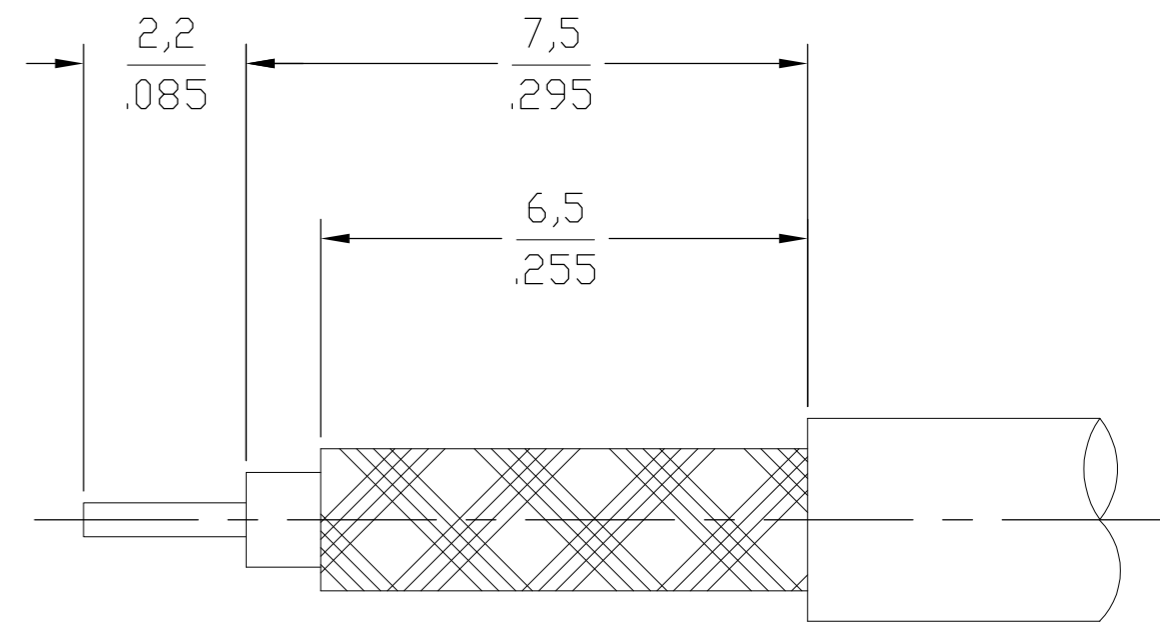
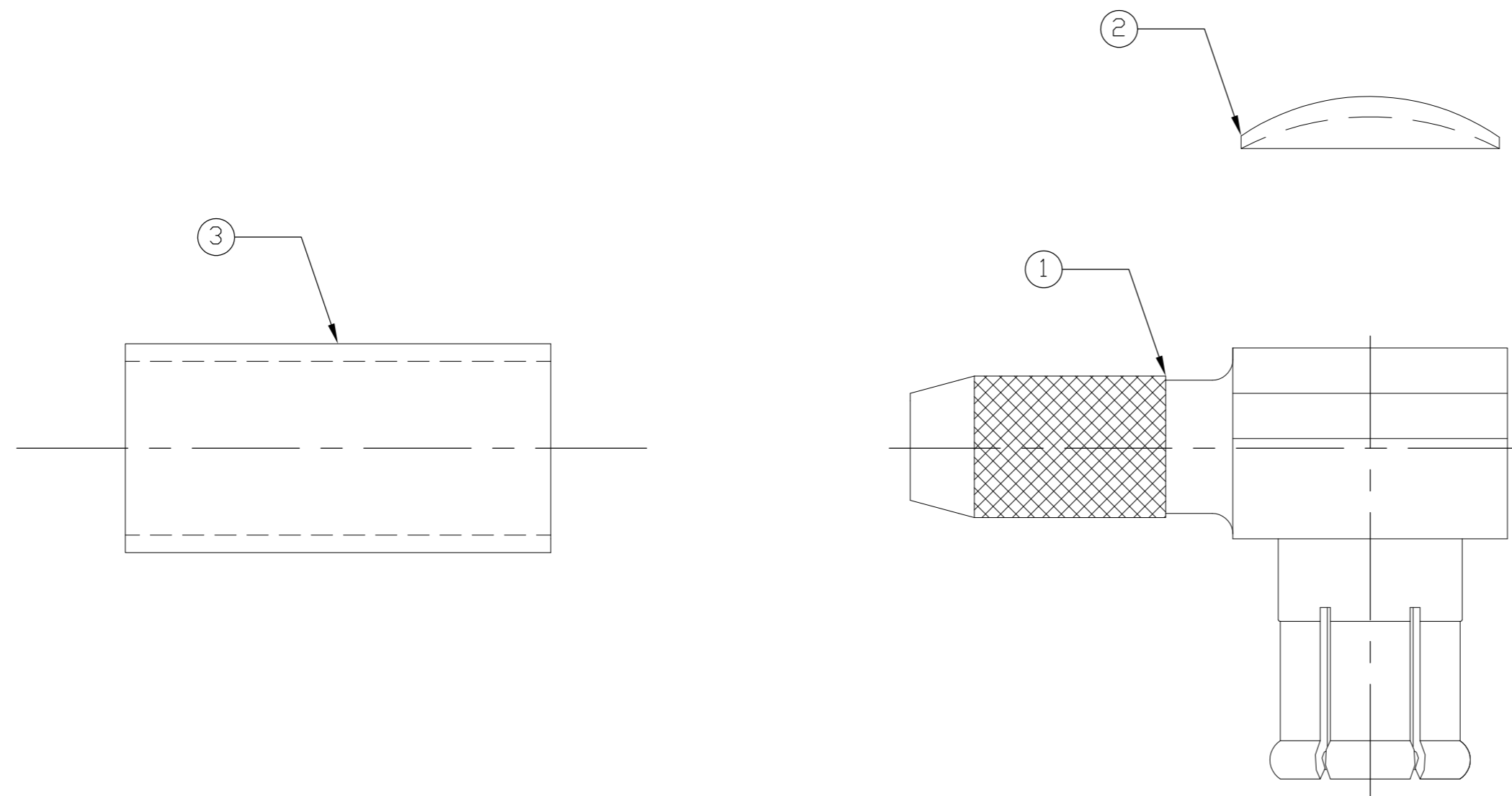


THIS DRAWING IS UNPUBLISHED. RELEASED FOR PUBLICATION
 © COPYRIGHT BY TYCO ELECTRONICS CORPORATION. ALL RIGHTS RESERVED.

| LOC | | DIST | | REVISIONS | | | |
|-----|----|------|-----|-----------------------|-----------|-----|------|
| AJ | 00 | P | LTR | DESCRIPTION | DATE | DWN | APVD |
| | | B | | REV PER ECO 08-007172 | 26MAR2008 | DW | JL |



RECOMMENDED STRIP LENGTH

| ELECTRICAL | | MECHANICAL | |
|--|--------------------|--|--------------------------------------|
| Nominal Impedance (Ohms) | 75 | Force to Engage (lbs MAX) | 5.6 |
| Frequency Range (GHz) | DC to 6 | & Disengage (lbs) | 1.8 MIN 4.5 MAX |
| Volt Rating (VRMS MAX) | | Center Contact Captivation Designed to | Maintain DSX Interface When Mating |
| @ Sea Level | 170 | | |
| VSWR | 1.07 MAX @ 2.5 GHz | | |
| | 1.12 MAX @ 6 GHz | | |
| Insertion Loss .1dB MAX/1000 MHz | | ENVIRONMENTAL | |
| Corona, 70,000 Ft (VRMS MIN) | 45 | TEMPERATURE RATING | -65° TO +165°C |
| Dielectric Withstanding Voltage (VRMS MIN) @ Sea Level | 500 | Vibration | MIL-STD-202, Method 204, Condition D |
| Contact Resistance (Milliohms MAX) | | Thermal Shock | MIL-STD-202, Method 102, Condition C |
| Center Contact | 5.0 | Moisture Resistance | MIL-STD-202, Method 106 |
| Outer Contact | 2.5 | Corrosion - MIL-STD-202, Method | 101, Condition B |
| Cable to Housing | 1.0 | | |
| RF High Potential @ Sea Level (VRMS MIN @ 5 MHz) | 670 | | |
| I.R.(Megohms MIN) | 10,000 | | |

| | | | | |
|------------|-------------------|---------------|-------------------------|-------------|
| RG179/U | 2-413889-4 | 3-1403081-3 | 1408171-1 | 1362991-1 |
| CABLE SIZE | FERRULE QTY=1 (3) | CAP QTY=1 (2) | PLUG ASSEMBLY QTY=1 (1) | PART NUMBER |

THIS DRAWING IS A CONTROLLED DOCUMENT.

| | | | |
|------------------|----------|---------|---|
| DWN | RMF | 24NOV00 | Tyco Electronics Corporation Harrisburg, PA 17105-3608 |
| CHK | RMF | 24NOV00 | |
| APVD | RMF | 24NOV00 | |
| PRODUCT SPEC | | | |
| APPLICATION SPEC | 408-8464 | | NAME |
| WEIGHT | - | | SIZE |
| CUSTOMER DRAWING | | | CAGE CODE |
| | | | DRAWING NO |
| | | | RESTRICTED TO |
| | | | SCALE |
| | | | SHEET |
| | | | REV |