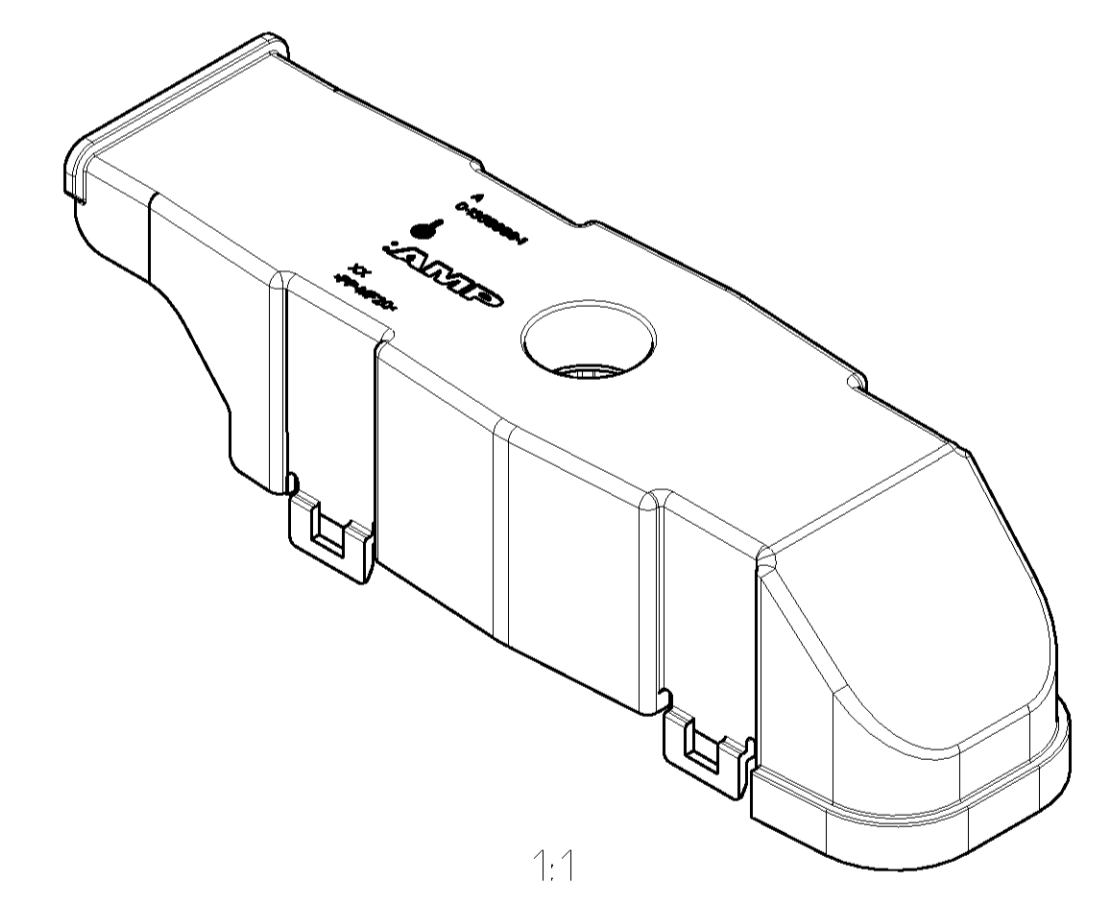
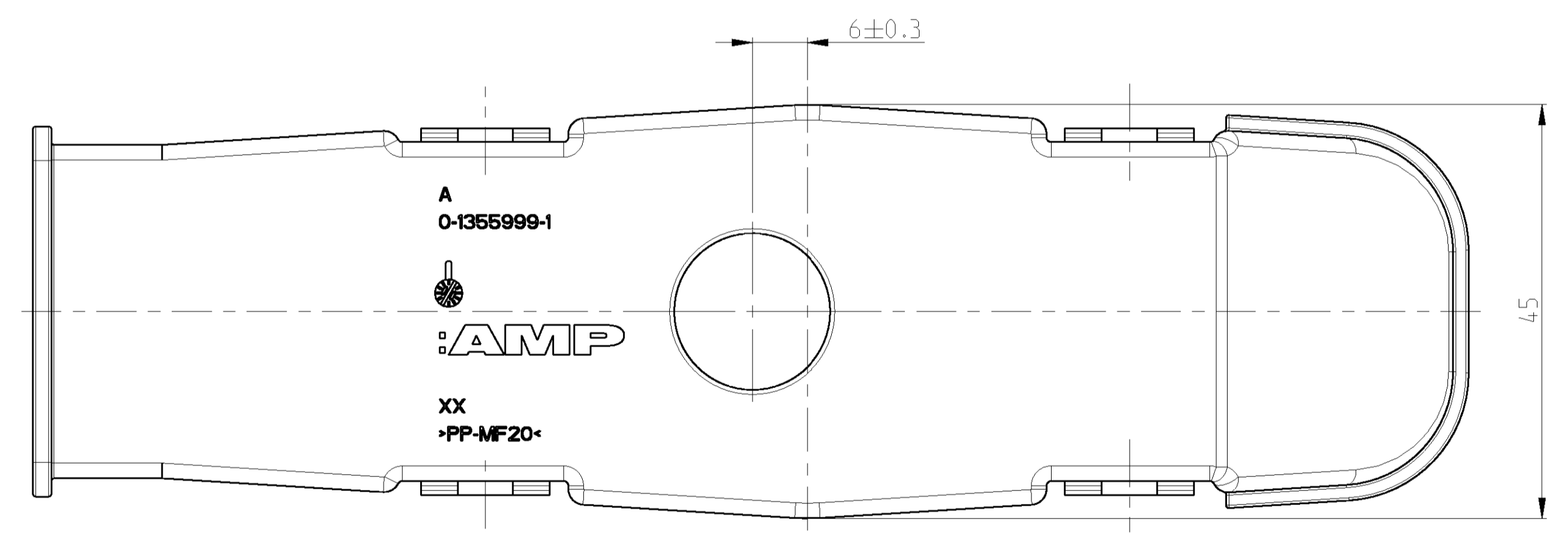
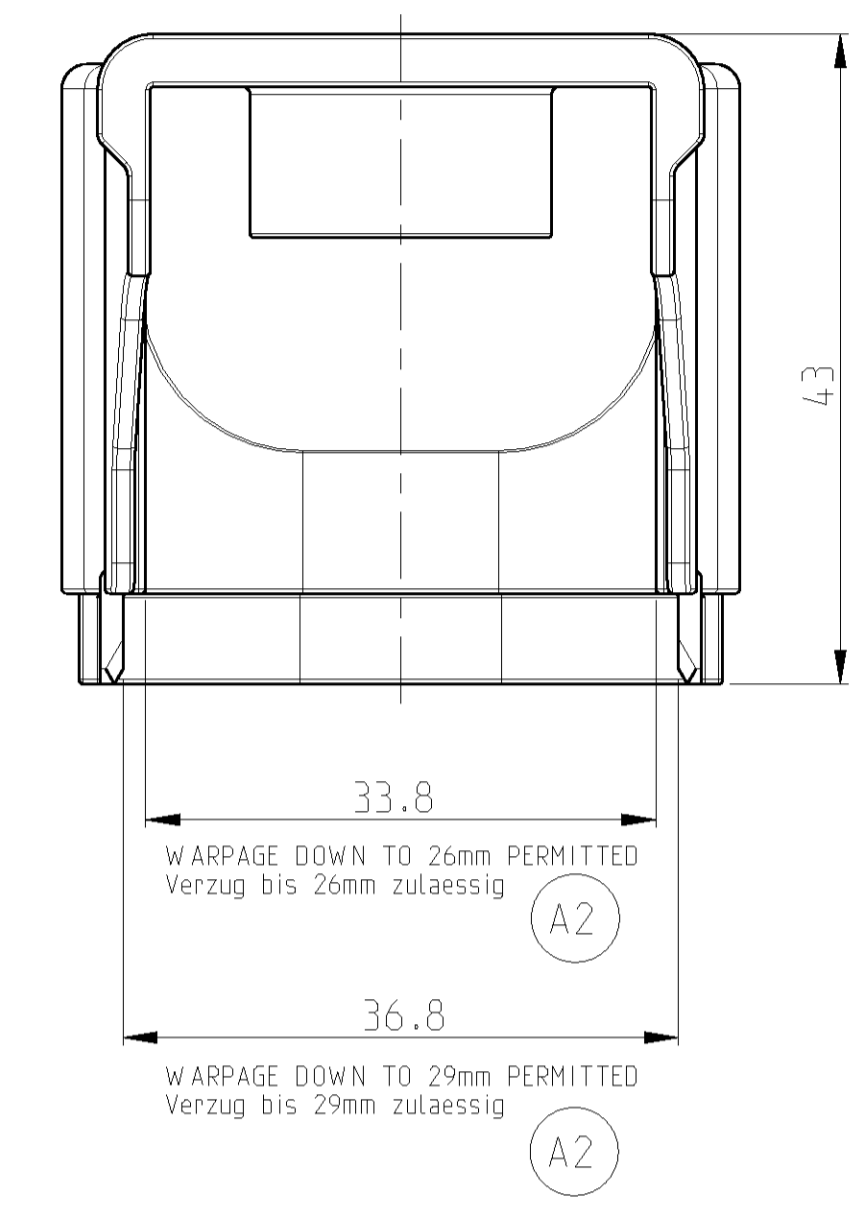
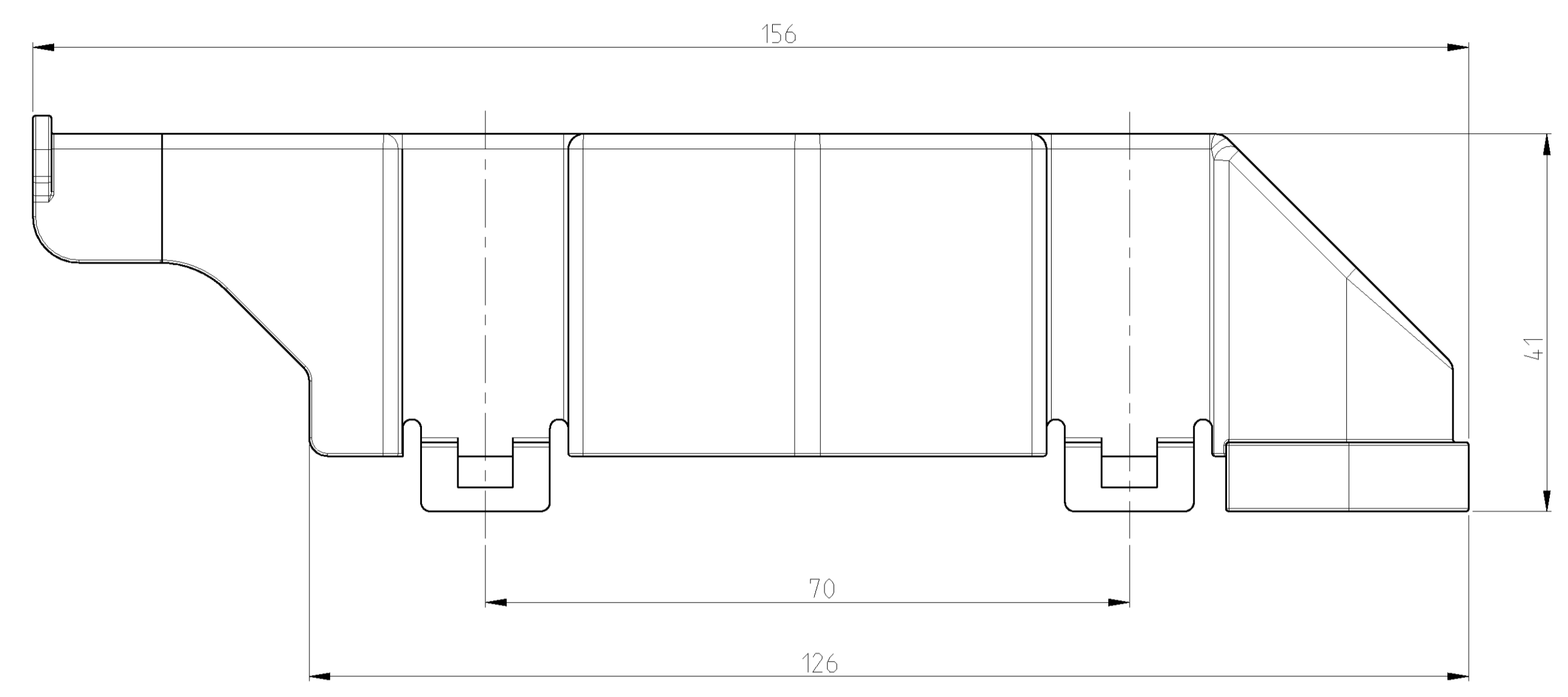


LOC		DIST		REVISIONS			
P	LTR	DESCRIPTION	DATE	DWN	APV'D		
A		NEW DRAWING	14 JUL 2000	-	-		
A1		DRAWING UPDATED	20 NOV 2000	GP	-		
A2		PCN EG00-3842-02. WARPAGE NOTES ADDED	25 NOV 2002	CS	-		



DIMENSIONS: mm		TOLERANCES UNLESS OTHERWISE SPECIFIED: 0 PLC ±0.5 1 PLC ±0.5 2 PLC ±0.5 3 PLC ±0.5 4 PLC ±0.5 ANGLES ±5° FINISH -		DWN G. PUCKEL 14 JUL 2000 ENR D. JAKOBEIT 14 JUL 2000 APV'D G. MUMPER 14 JUL 2000		Tyco Electronics AMP GmbH D - 64625 Bensheim	
MATERIAL -		FINISH -		NAME SHIELD-WIRE FOR 94.POS.CONNECTOR		SIZE CAGE CODE DRAWING NO RESTRICTED TO A1 00779 C=1355999 -	
CUSTOMER DRAWING				SCALE 2:1		SHEET 1 OF 1 REV. A2	