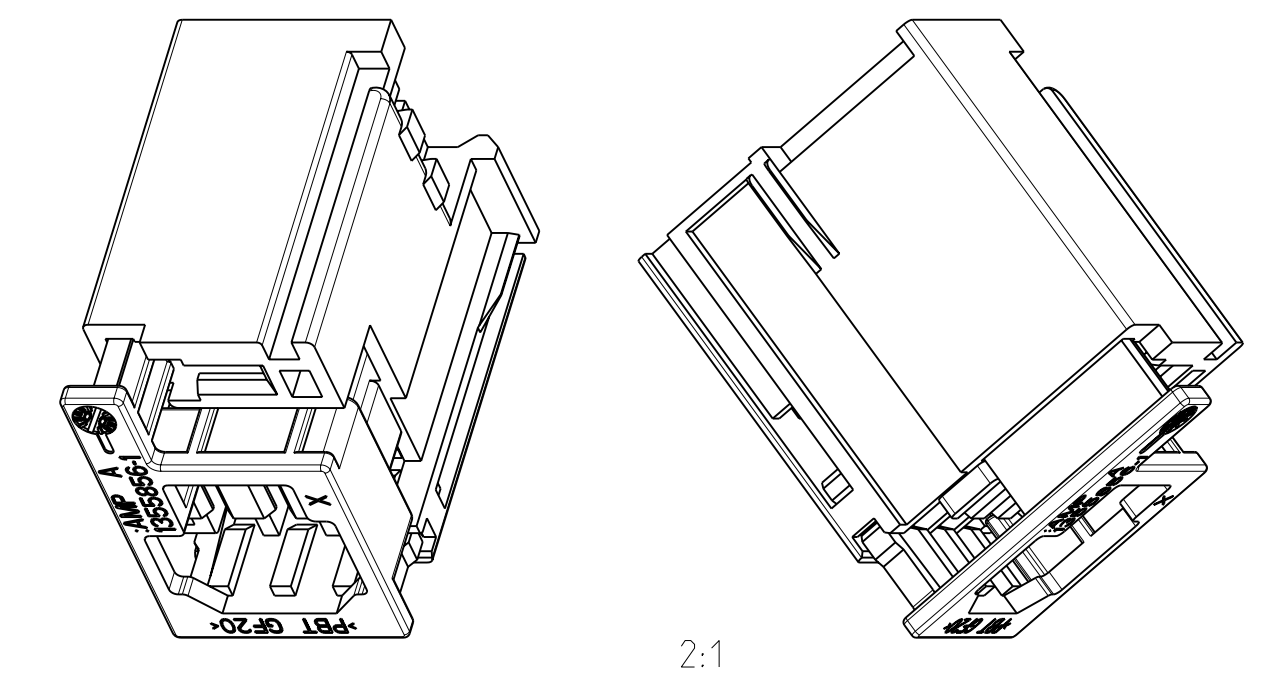
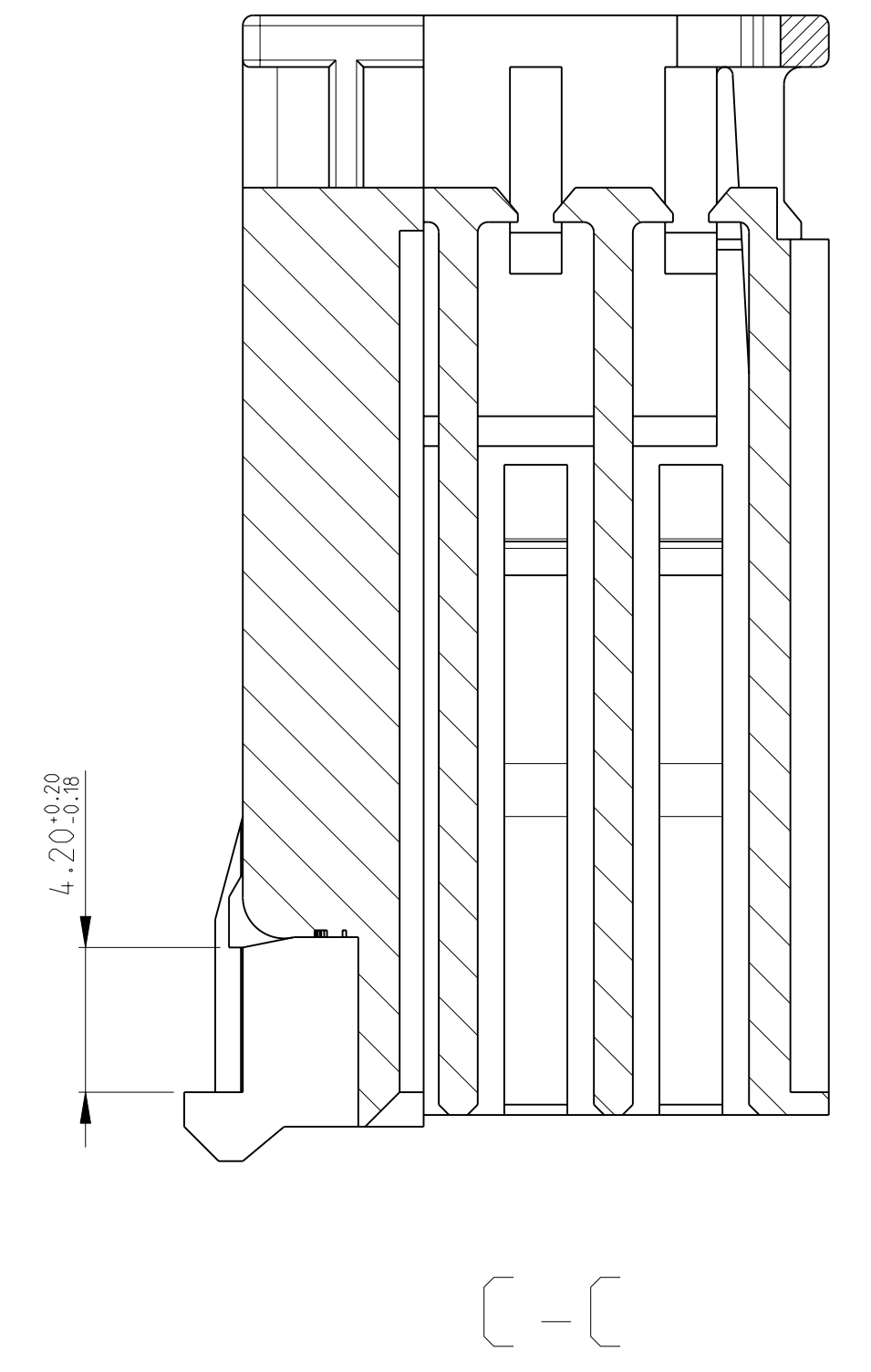
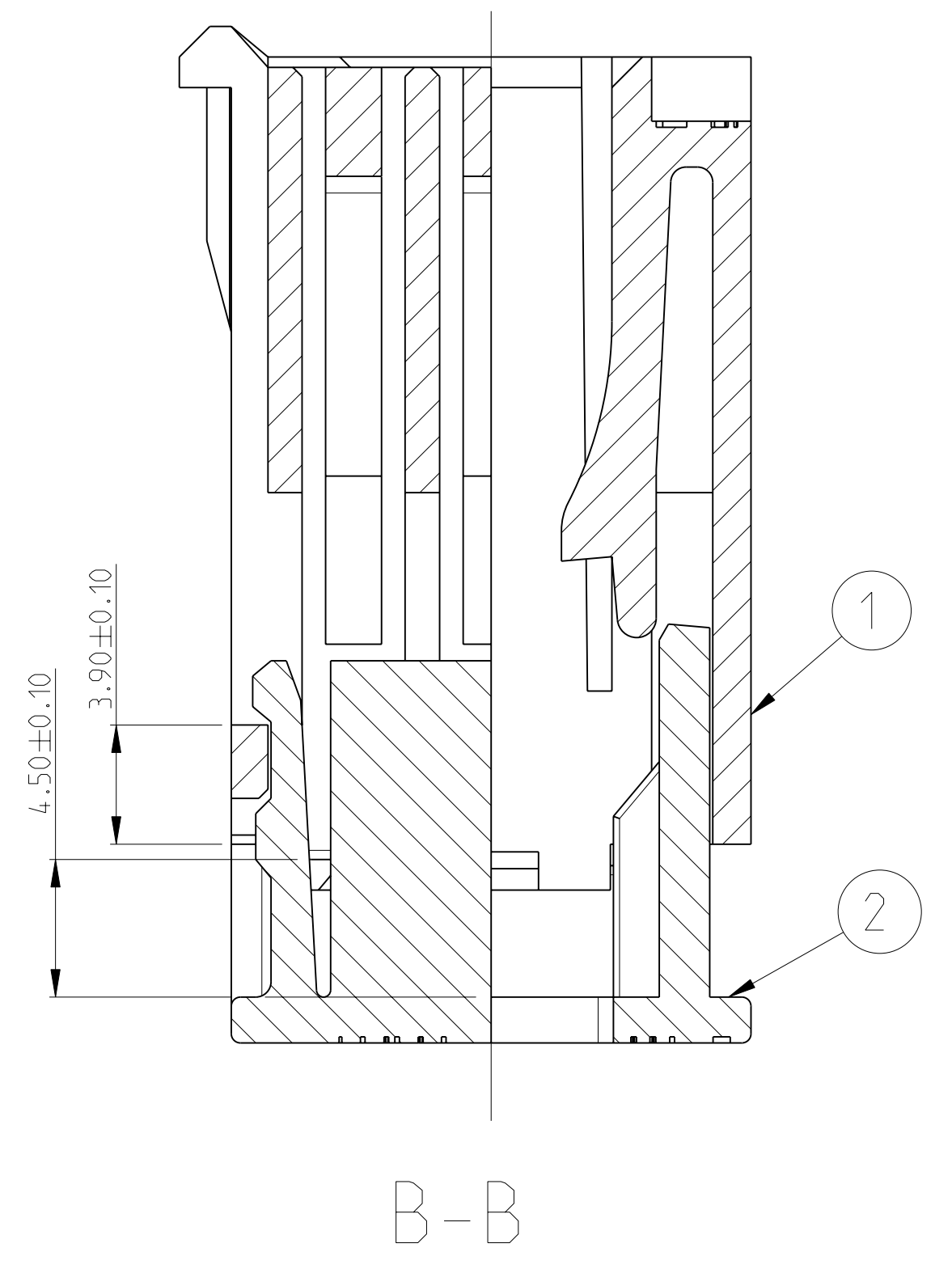
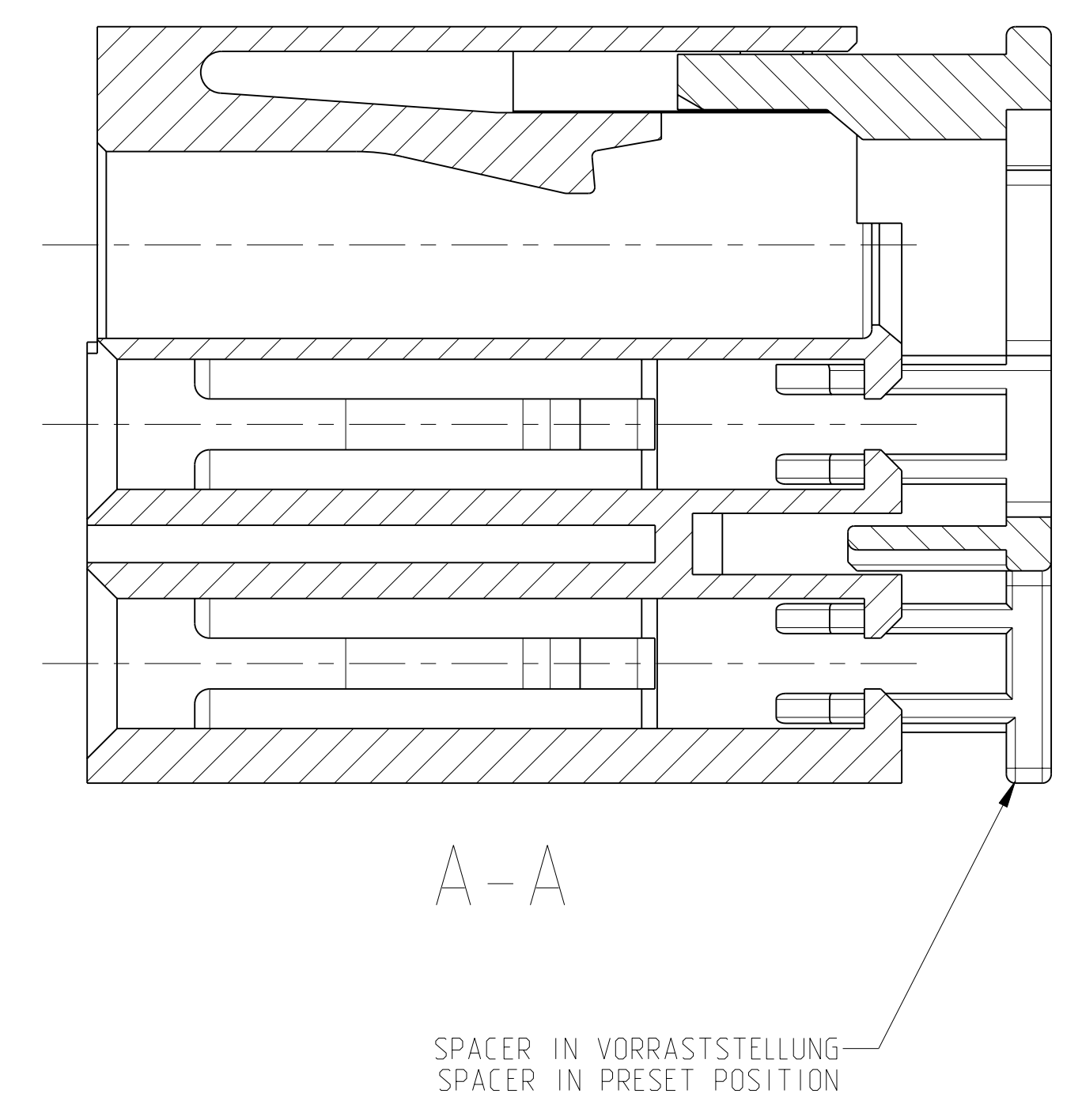
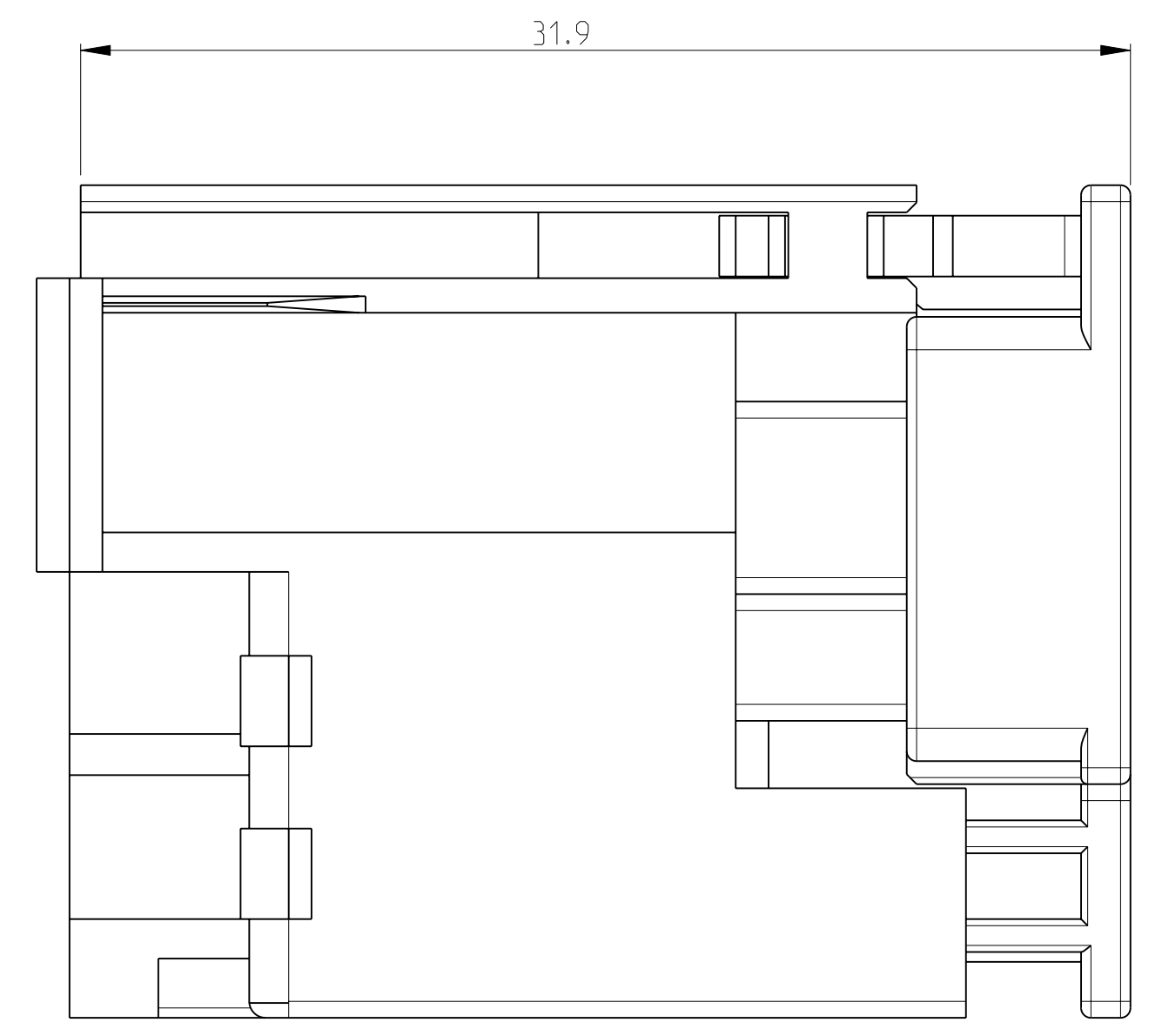
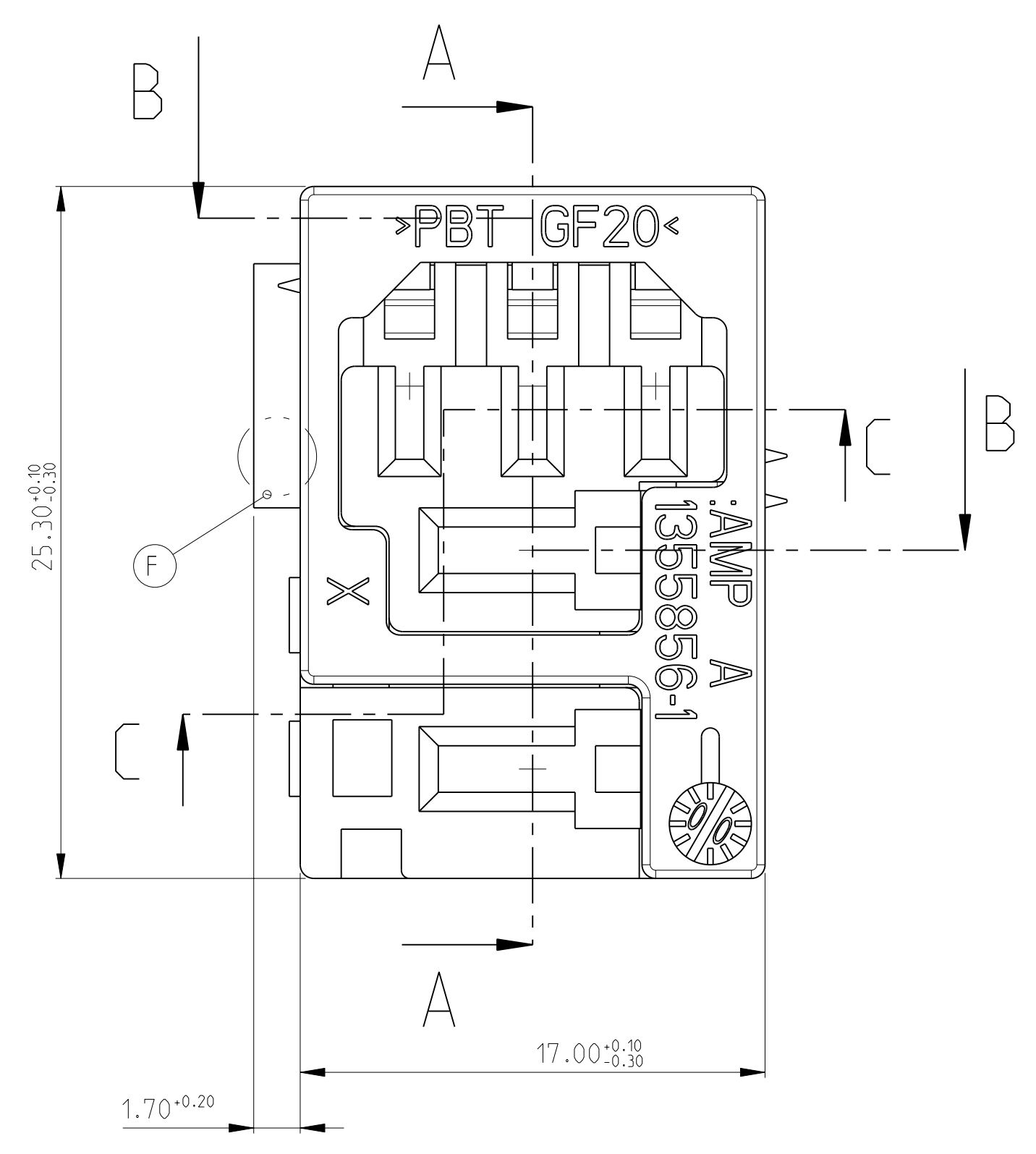


LOC		DIST		REVISIONS			
AI	-	P	LTR	DESCRIPTION	DATE	DWN	APVD
		D		SEE EG00-2094-02 DRAWING UPDATED	27JUN2002	MT	GM
		E		SEE PCN E-07-020345	12SEP2007	GH	GM
		F		SEE PCN E-08-028013	04NOV2008	AL	HR



2S6T-14A481-AB	1355863-1	F	0-1355851-1 9-1355851-9 0-1670177-1	1x	-	PBT - GF20	RED	SPACER	2
FORD PART NO.	AMP PART NO.	REV	SUITABLE FOR	PCS PER ASSY	MATERIAL	COLOR	DESCRIPTION	ITEM NO.	
				-	1x	PBT - GF20	BLACK	INSERT MODULE (F)	1

DIMENSIONS:		TOLERANCES UNLESS OTHERWISE SPECIFIED:		DWG		CHK		APVD	
mm		PLC	FINISH	DATE	NAME	DATE	NAME	DATE	NAME
0	PLC	±0.4		14NOV2000	M. DAUBER	15NOV2000	M. TRAJKOV	15NOV2000	E. MUMPER
1	PLC	±0.4							
2	PLC	±0.4							
3	PLC	±0.4							
4	PLC	±0.4							
	ANGLES	±0.4							
	FINISH	±0.4							

Tyco Electronics		Tyco Electronics AMP GmbH	
SIZE	CAGE CODE	DRAWING NO.	RESTRICTED TO
A	00779	C=1355863	-
CUSTOMER DRAWING		SCALE	SHEET 1 OF 1
		REV	F