

LOC	DIST	REVISIONS				
P	LTR	DESCRIPTION	DATE	DWN	APVD	
A1	-					
	A1	REVISED PER ECO-11-005294	30APR11	RK	HMR	

Siehe Produktgruppenzeichnung
929454

REFER TO PRODUCT GROUP DRAWING
FOR LATEST INFORMATION
ON THE PART
929454

19


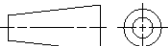
RELEASED FOR PUBLICATION

THIS DRAWING IS UNPUBLISHED.

ALL RIGHTS RESERVED.

BY

© COPYRIGHT

DIMENSIONS: mm		DWN S. Garcia 30SEP99	MATERIAL -	FINISH -	
TOLERANCES UNLESS OTHERWISE SPECIFIED:		CHK R. Jetter 30SEP99	 TE Connectivity		
		APVD -			
0 PLC ± 1 PLC ± 2 PLC ± 3 PLC ± 4 PLC ± ANGLES ±°		PRODUCT SPEC -	NAME MQS Buchsenkontakt MQS SOCKET CONTACT		
		APPLICATION SPEC -	SIZE A4	CAGE CODE 00779	DRAWING NO C=1355717
		WEIGHT -	RESTRICTED TO -		
		CUSTOMER DRAWING		SCALE %	SHEET OF REV A1