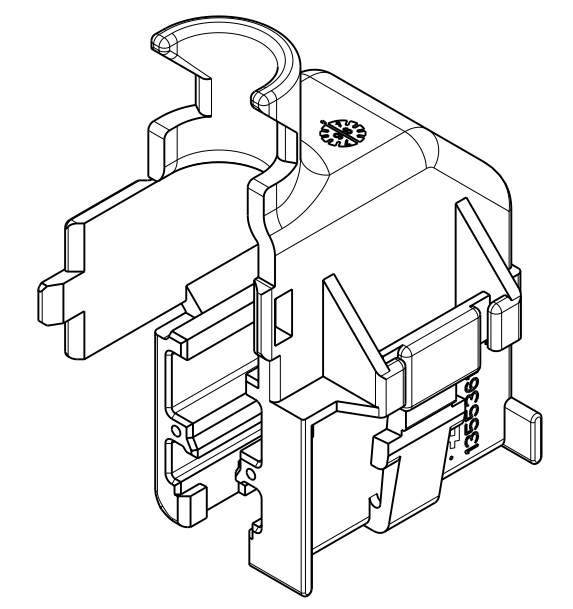
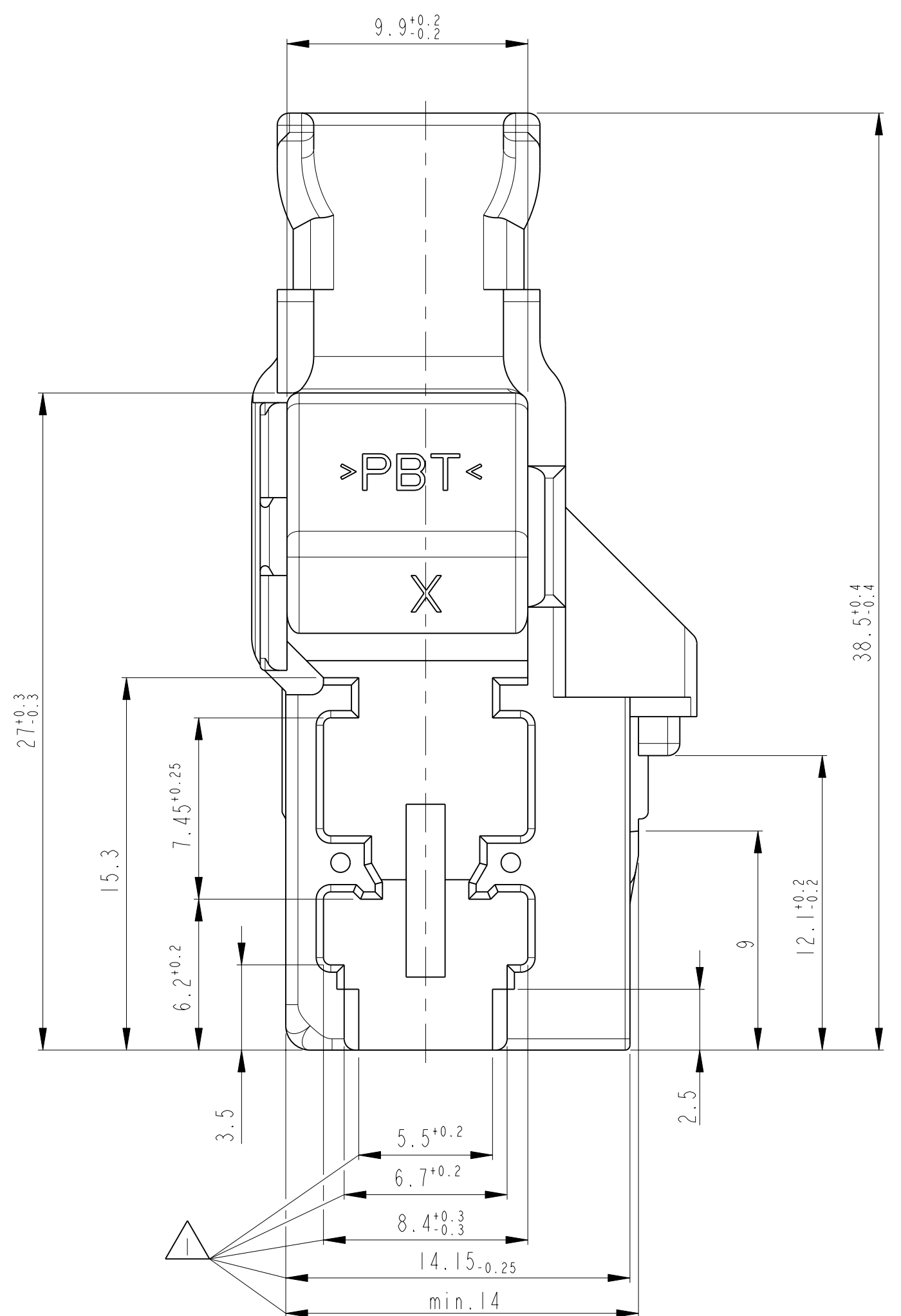
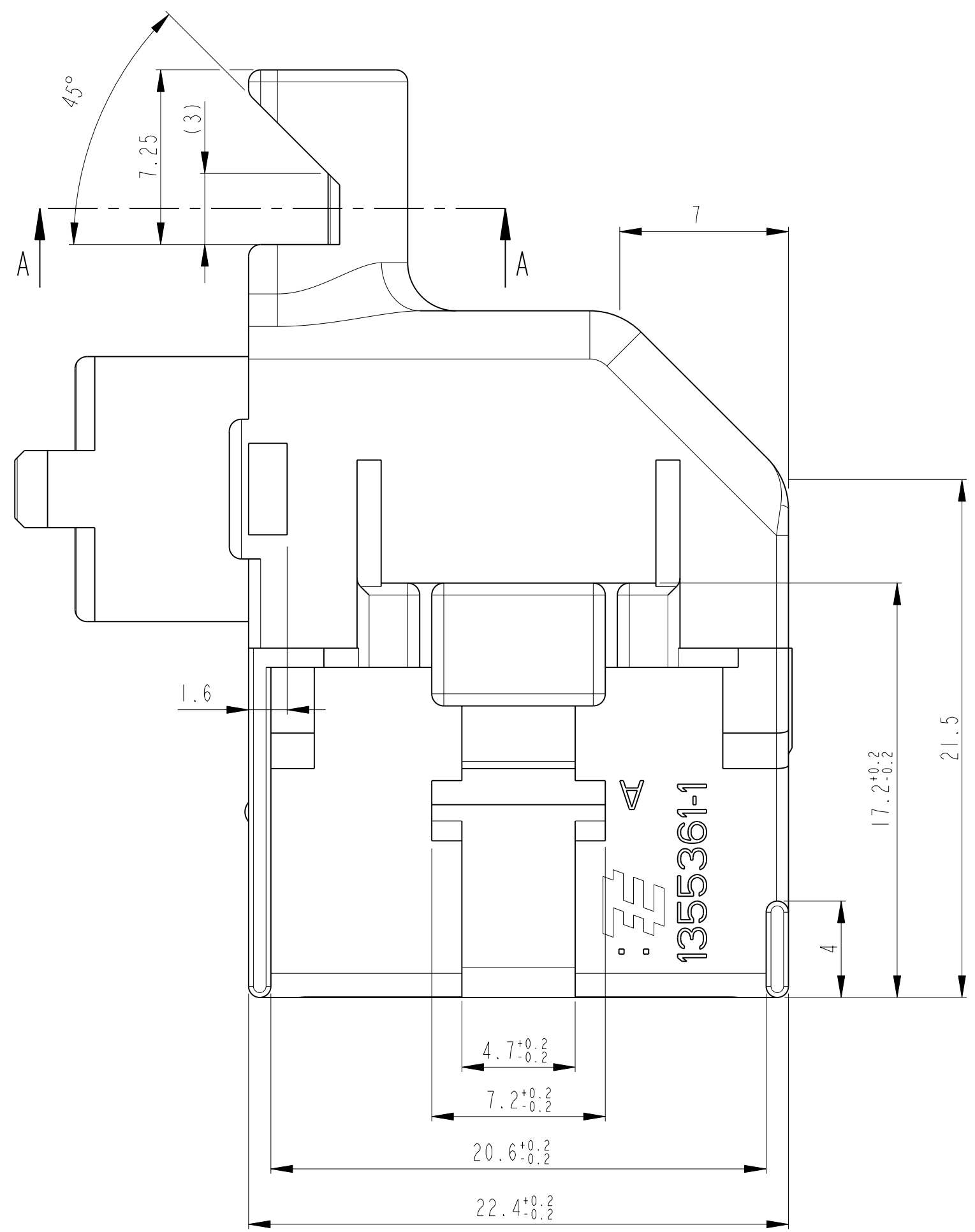
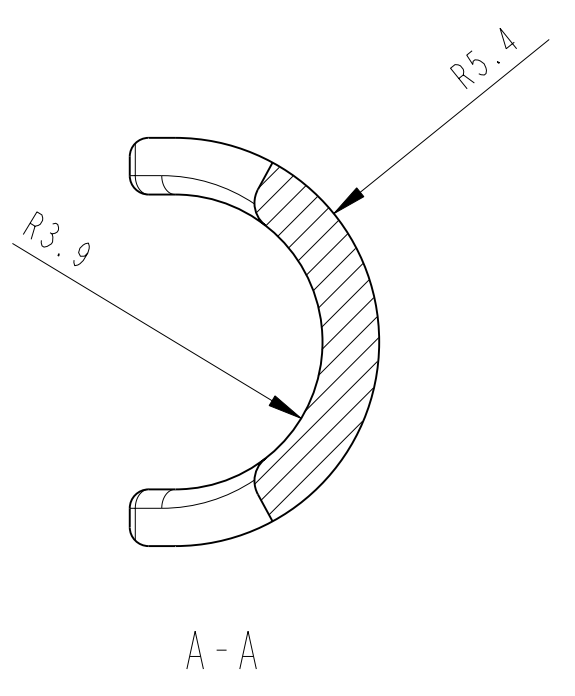
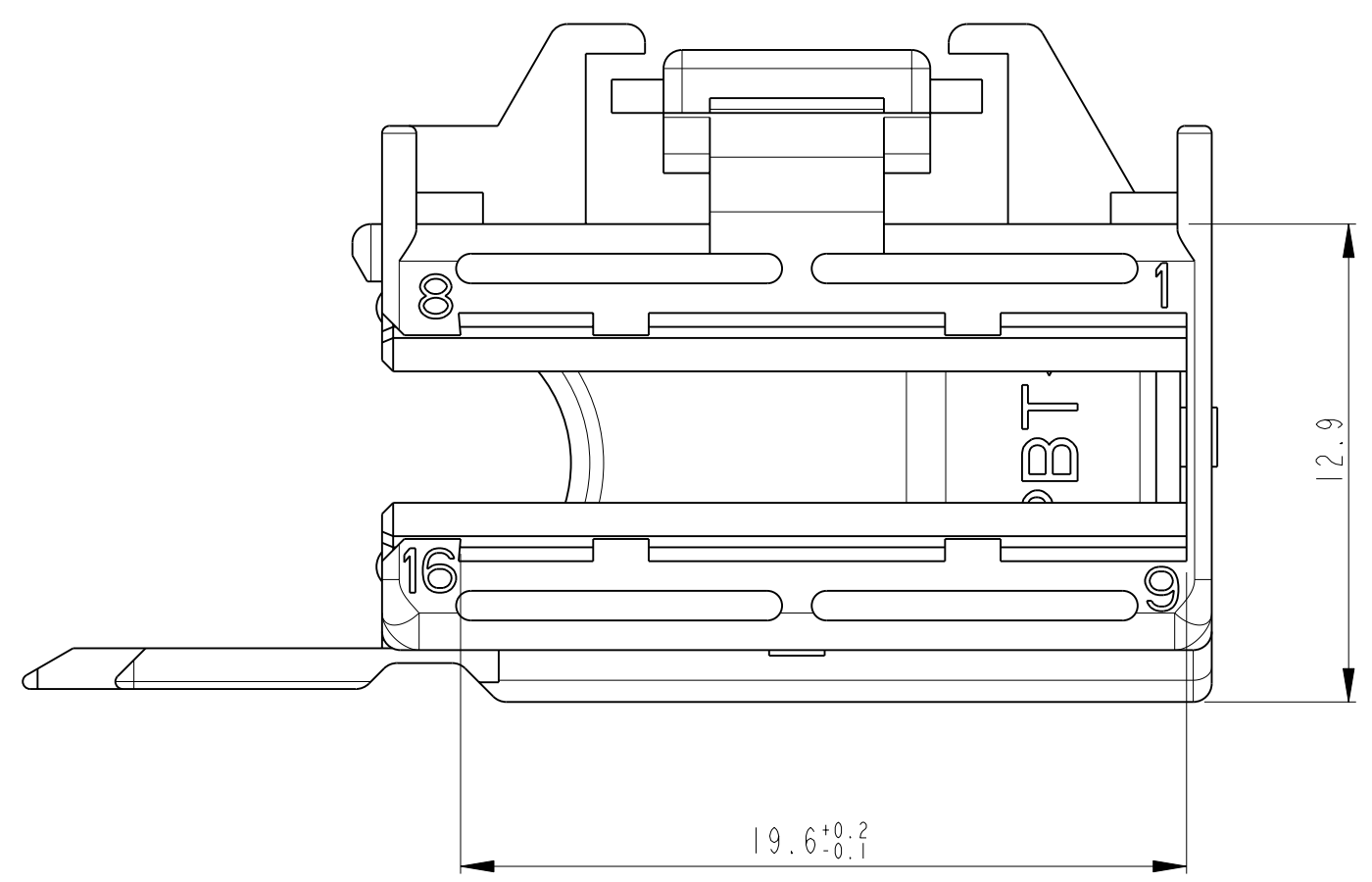


CODING A
Kodierung A

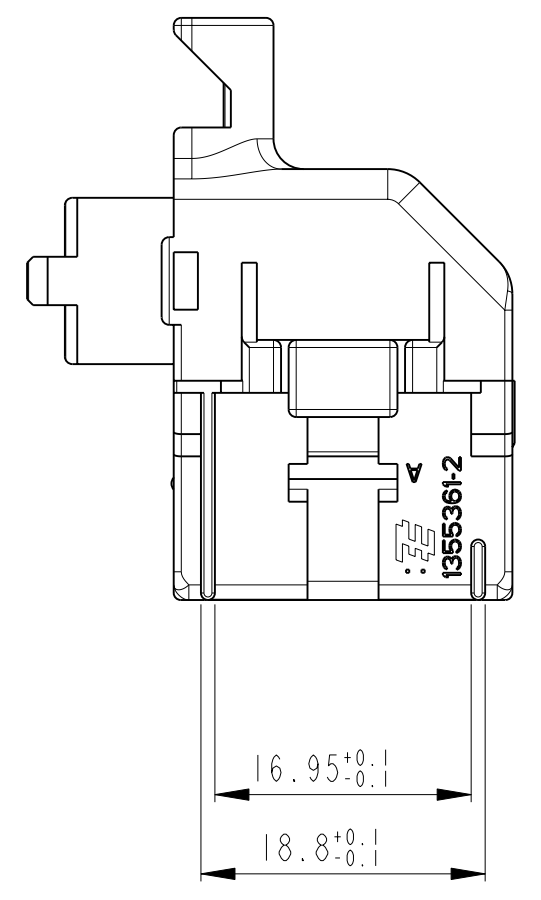
①



2:1

CODING B
Kodierung B

②



2:1

Notes

- 1 AFTER OPENING THE MOULD, IN THIS AREA AN INCLINATION OF THE COVER OF 0.4 IS PERMITTED
- 2 USED WITH 828929-2, -5, 966509, 966596
- 3 SUITABLE PIN HEADER 966870

Bemerkungen

- 1 In diesem Bereich wird ein Einfall nach dem Entformen von 0.4 zugelassen
- 2 Benutzt mit 828929-2, -5, 966509, 966596
- 3 Passend zu Stiftleiste 966870

-1 AS SHOWN
wie gezeichnet

neutrale Version
von 969445

| | | | | |
|-----------|------|---------------|------------------|---------|
| 1355361-2 | A | BLACK/schwarz | B | 2 |
| 1355361-1 | A | BROWN/braun | A | 1 |
| TE No. | REV. | COLOUR Farbe | CODING Kodierung | No. Nr. |

| | | | | | |
|---|--|--|--|--|--|
| <small>THIS DRAWING IS UNPUBLISHED. RELEASED FOR PUBLICATION PRELIMINARY. REVISIONS: 2009. BY TYCO ELECTRONICS CORPORATION. ALL RIGHTS RESERVED. DATE: 03DEC99. DWN: GF. APVD: BK. PROJECT NO.: EG0199356. PART: A1. DESCRIPTION: Zeichnung neu erstellt. DATE: 03DEC99. DWN: GF. APVD: BK. REVISIONS: 2009. BY TYCO ELECTRONICS CORPORATION. ALL RIGHTS RESERVED. DATE: 10MAR2010. GS. MZ. DRAWING OVERWORKED.</small> | | DWN: G. Fischer 03DEC99 CHK: B. Kirsch 03DEC99 | | Tyco Electronics AMP GmbH 64625 Bensheim (Germany) | |
| DIMENSIONS: mm MASSEINHEITEN: mm | | TOLERANCES, UNLESS OTHERWISE SPECIFIED: ALL SEAMS INTOLERANCES | | NAME: COVER, TSMT HSG., 2X8POS., 180DRG PRODUKTSPEZ.: Abdeckka., TSMT Geh., 2x8pol., 180DRG | |
| MATERIAL: PBT | | FINISH/OBERFLAECHE/FARBE: | | WEIGHT GEWICHT: - CUSTOMER DRAWING / KUNDENZEICHNUNG | |
| SCALE: 5:1 | | SHEET: 1 OF 1 | | REV: A2 | |