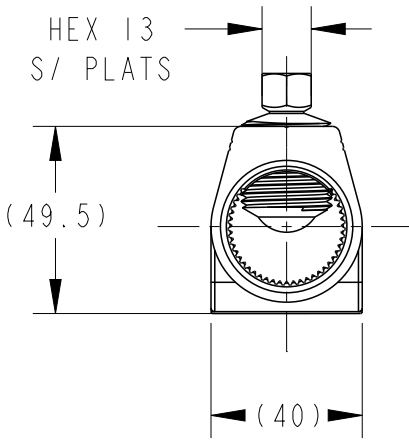
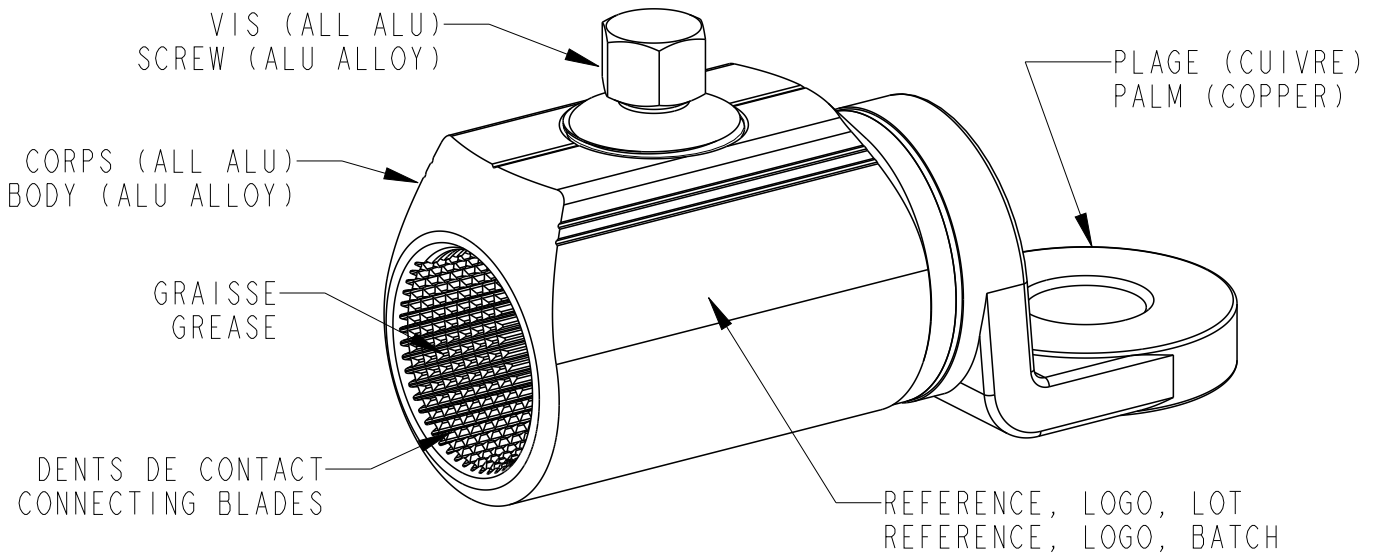
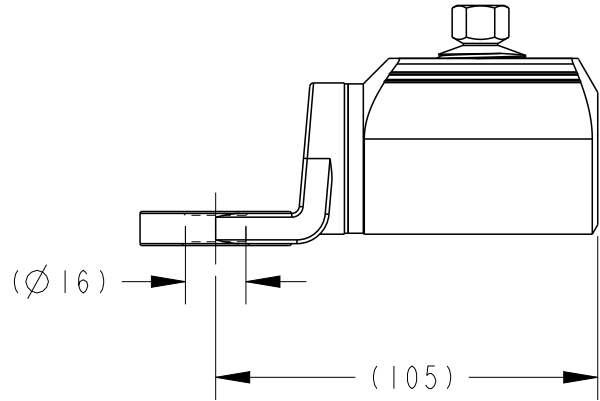


LOC	DIST	REVISIONS					
P	LTR	REV	DESCRIPTION	MODIFICATIONS	DATE	DWN	APVD
						DESS.	APP.
FH	00	O	EQ00-0070-00		22FEB00	JB	AD
		A	EQ00-0386-09		18NOV2009	BG	NA



ECHELLE 1:2



1351601-1	EN SACHET PAR 4 4 IN PLASTIC BAG	VCXI 29	300 A 500mm2 300 TO 500mm2	63mm	40Nm ±4
1351601-2	EN SACHET PAR 2 2 IN PLASTIC BAG				
PN	CONDITIONNEMENT PACKAGING	REFERENCE	CAPACITES CAPACITIES	LONG. INTRODUCTION DU CABLE CABLE INTRODUCTION LENGTH	COUPLE RUPTURE NOMINAL TORQUE

TOLERANCES UNLESS OTHERWISE SPECIFIED: -
 TOLERANCES NON SPECIFIEES: -

DIMENSIONS: mm	DWN/DESSINE J. BERLAND	22FEB00	MATERIAL MATIERE	-	FINISH FINITION	-
	CHK/VERIFIE L. MAINIER	-	SIMEL PRODUCTS			
TOLERANCES UNLESS OTHERWISE SPECIFIED: TOLERANCES NON SPECIFIEES (SUIV NB DE DECIMALES): 0 PLC/DEC: ±0 1 PLC/DEC: ±0.1 2 PLC/DEC: ±0.2 3 PLC/DEC: ±0.3 4 PLC/DEC: ±0.4 ANGLES ±-	APVD/APPROUVE N. ALMEDA	-				
	PRODUCT SPEC SPEC. PRODUIT	-	SIZE FORMAT	A4	CAGE CODE	00779
	APPLICATION SPEC SPEC. APPLICATION	-	DRAWING NO No PLAN	C=1351601		RESTRICTED TO RESERVE A
	WEIGHT MASSE APPROX.	430 g				
CUSTOMER DRAWING /PLAN CLIENT		UNIQUEMENT POUR REFERENCE	SCALE ECHELLE	:	SHEET FEUILLE	OF DE
					REV	A

RELEASED FOR PUBLICATION
 LIBRE A LA DIFFUSION
 BY TYCO ELECTRONICS CORPORATION ALL INTERNATIONAL RIGHTS RESERVED.
 TOUS DROITS RESERVES.
 THIS DRAWING IS UNPUBLISHED.
 DIFFUSION RESTREINTE
 COPYRIGHT 20