

THIS DRAWING IS UNPUBLISHED.  
 DIFFUSION RESTREINTE  
 © COPYRIGHT 2011 BY -

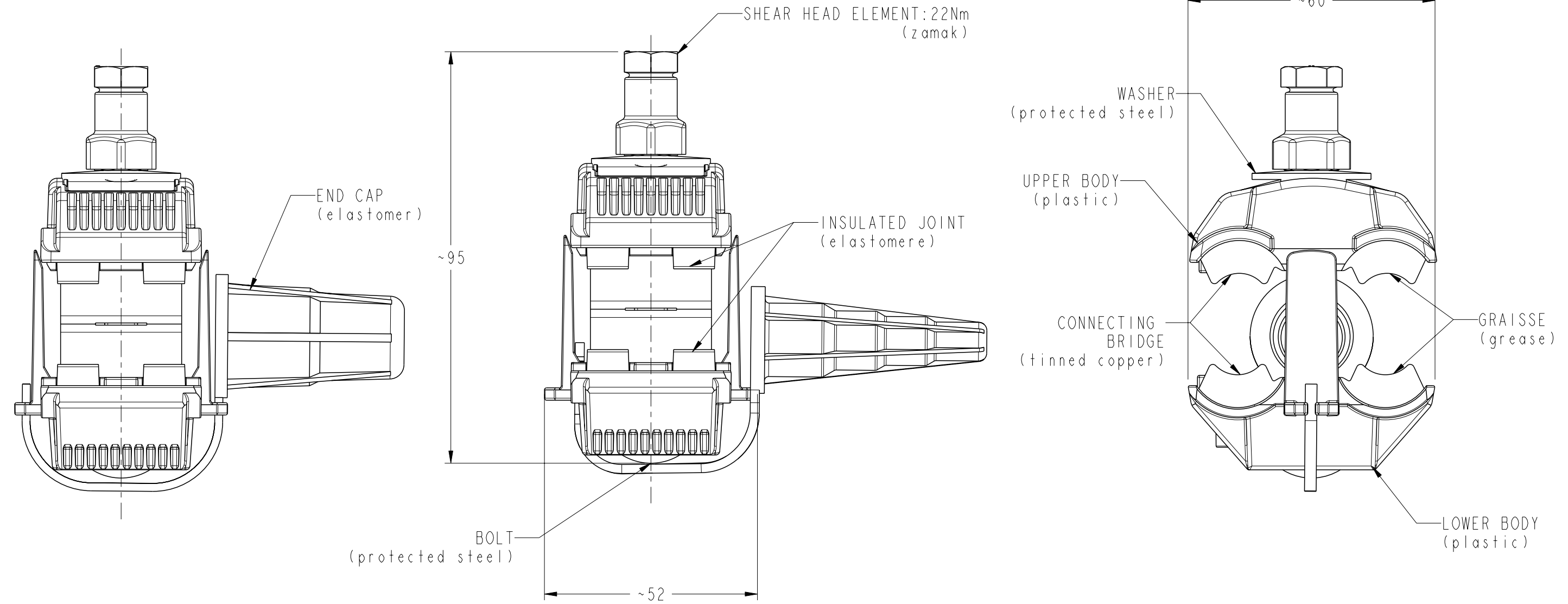
RELEASED FOR PUBLICATION  
 LIBRE A LA DIFFUSION  
 2011  
 ALL RIGHTS RESERVED.  
 TOUS DROITS RESERVES

REVISIONS

P	LTR REV	DESCRIPTION MODIFICATIONS	DATE	DWN DESS.	APVD APP.
	A	Mise à jour	11APR2017	JB	GN

KZ4-185 CHINA

KZ4-150 CHINA



REFERENCE	PN	CAPACITIES (mm <sup>2</sup> )		BREAKING SHEARD HEAD TORQUE
		MAIN	TAP	
KZ4-150 CHINA	1351230-2	(35)50-150	(35)50-150	22Nm
KZ4-185 CHINA	1351230-4	50-185	50-185	22Nm

THIS DRAWING IS A CONTROLLED DOCUMENT.  
 CE PLAN EST UN DOCUMENT CONTROLE PAR TYCO ELECTRONICS CORPORATION  
 IL EST SUSCEPTIBLE D'ETRE REVISE. POUR OBTENIR LA DERNIERE REVISION,  
 CONTACTER LE SERVICE TECHNIQUE DE TYCO ELECTRONICS SIMEL SAS,  
 21220 GEVREY-CHAMBERTIN, FRANCE.

DIMENSIONS: mm

TOLERANCES UNLESS OTHERWISE SPECIFIED: (SUIV NB DE DECIMALES):  
 0 PLC/DEC: ±0  
 1 PLC/DEC: ±0  
 2 PLC/DEC: ±0  
 3 PLC/DEC: ±0  
 4 PLC/DEC: ±0  
 ANGLES ±

MATERIAL MATIERE: -  
 FINISH FINITION: -

DWN/DESSINE: 11/04/17  
 BERLAND  
 CHK/VERIFIE: DEREY  
 APVD/APPROUVE: NEDELLEC  
 PRODUCT SPEC SPEC. PRODUIT: -  
 APPLICATION SPEC SPEC. APPLICATION: -  
 WEIGHT MASSE APPROX.: 200g

TE Connectivity

NAME TITRE: KZ4-150 / KZ4-185 CHINA

SIZE FORMAT: A3  
 CAGE CODE: -  
 DRAWING NO No PLAN: C-1351230  
 RESTRICTED TO RESERVE A: -

CUSTOMER DRAWING /PLAN CLIENT UNIQUEMENT POUR REFERENCE  
 SCALE ECHELLE: 1:2  
 SHEET FEUILLE: 1 OF DE: 1  
 REV: A

TOLERANCES UNLESS OTHERWISE SPECIFIED: -  
 TOLERANCES NON SPECIFIEES: -