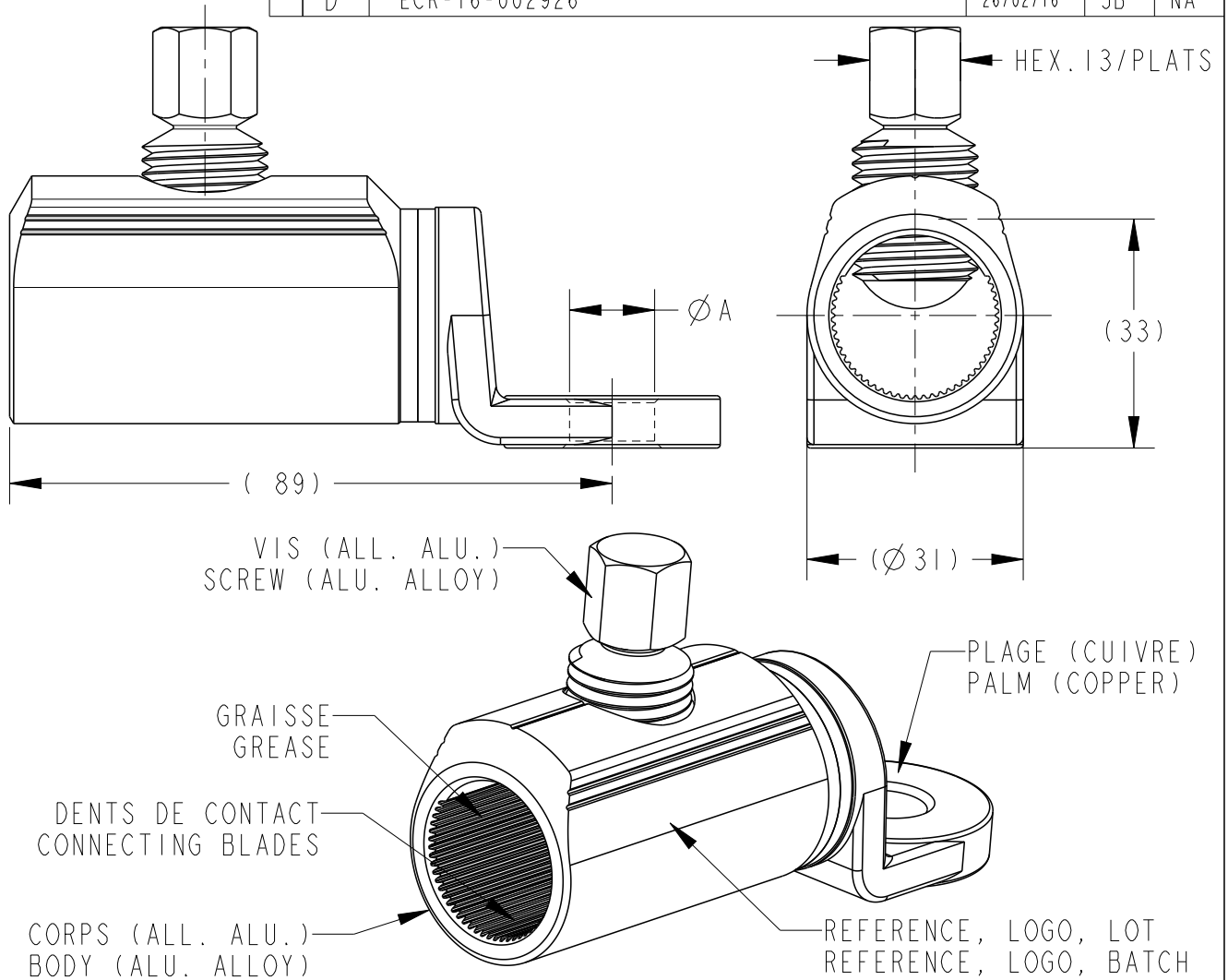



REVISIONS					
P	LTR REV	DESCRIPTION MODIFICATIONS	DATE	DWN DESS.	APVD APP.
	A	EQ00-0494-99	20OCT99	DB	AD
	B	EQ00-0386-09	18NOV2009	BG	NA
	C	ECR-15-018034	14DEC2015	JB	AG
	D	ECR-16-002926	26/02/16	JB	NA



1350533-1	EN SACHET PAR 4 4 IN PLASTIC BAG	VCXI 22	185 A 300mm2 185 TO 300mm2	56mm	30Nm $\pm 3$	12.2
1350533-3		VCXI 22/13				13
PN	CONDITIONNEMENT PACKAGING	REFERENCE	CAPACITES CAPACITIES	LONG. INTRODUCTION DU CABLE CABLE INTRODUCTION LENGTH	COUPLE RUPTURE NOMINAL TORQUE	$\phi A$

TOLERANCES UNLESS OTHERWISE SPECIFIED  
 TOLERANCES NON SPECIFIEES: -

DIMENSIONS: mm	DWN/DESSINE T. ROUSSEAU 22JUL99	MATERIAL MATIERE -	FINISH FINITION -	
<p>TOLERANCES UNLESS OTHERWISE SPECIFIED:                      TOLERANCES NON SPECIFIEES (SUIV. NB DE DECIMALES):</p> 0 PLC/DEC: $\pm 0$ 1 PLC/DEC: $\pm 0$ 2 PLC/DEC: $\pm 0$ 3 PLC/DEC: $\pm 0$ 4 PLC/DEC: $\pm 0$ ANGLES $\pm$	CHK/VERIFIE DEREY	 TE Connectivity		
	APVD/APPROUVE N. ALMEIDA			
	PRODUCT SPEC SPEC. PRODUIT NF C 63-061	NAME TITRE VCXI 22 VCXI 22/13	SIZE FORMAT A4	CAGE CODE 00779
	APPLICATION SPEC SPEC. APPLICATION -	DRAWING NO No PLAN C=1350533	RESTRICTED TO RESERVE A -	
WEIGHT MASSE APPROX. 185	CUSTOMER DRAWING /PLAN CLIENT			
UNIQUEMENT POUR REFERENCE		SCALE ECHELLE 1:1	SHEET FEUILLE OF DE REV D	