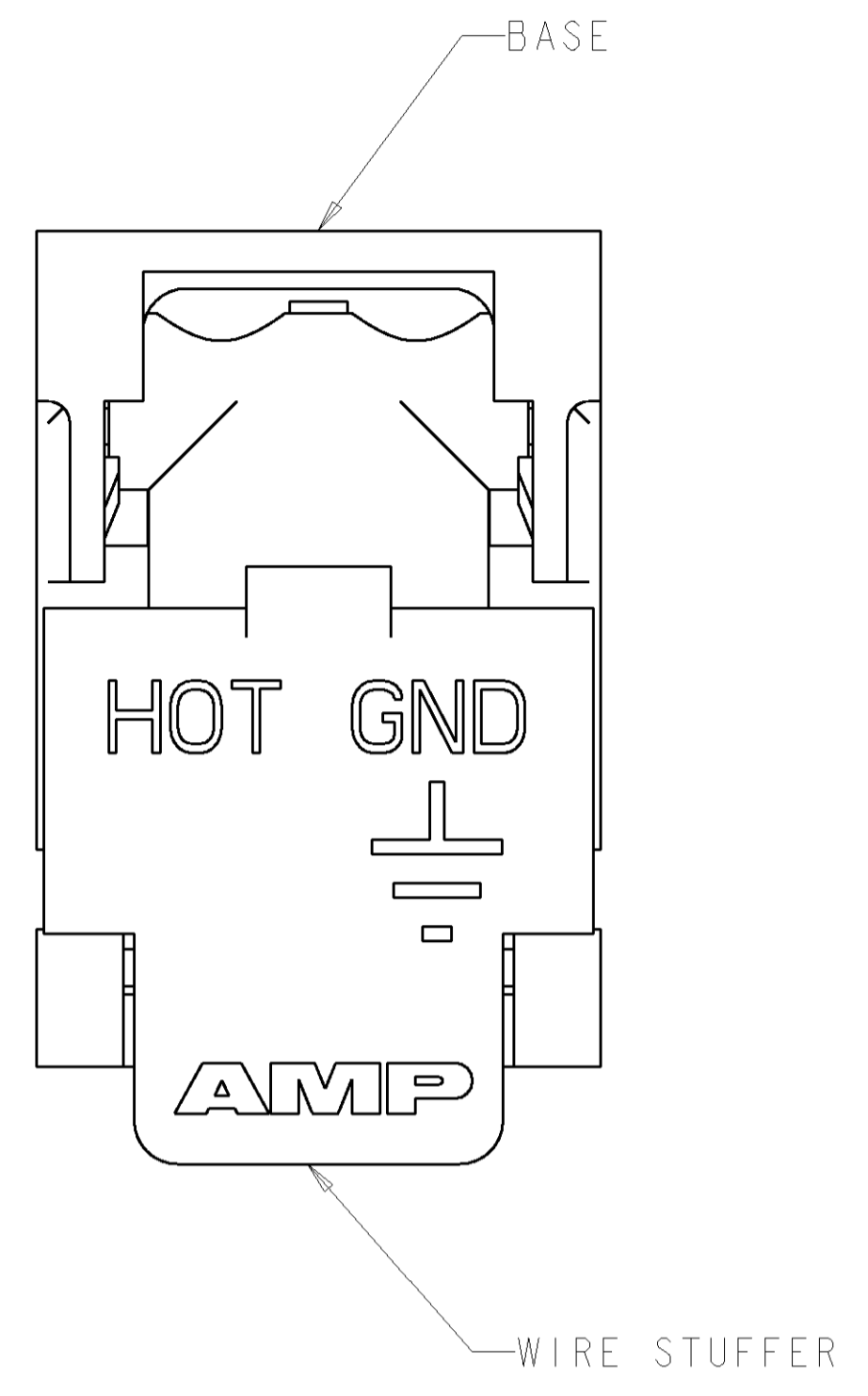
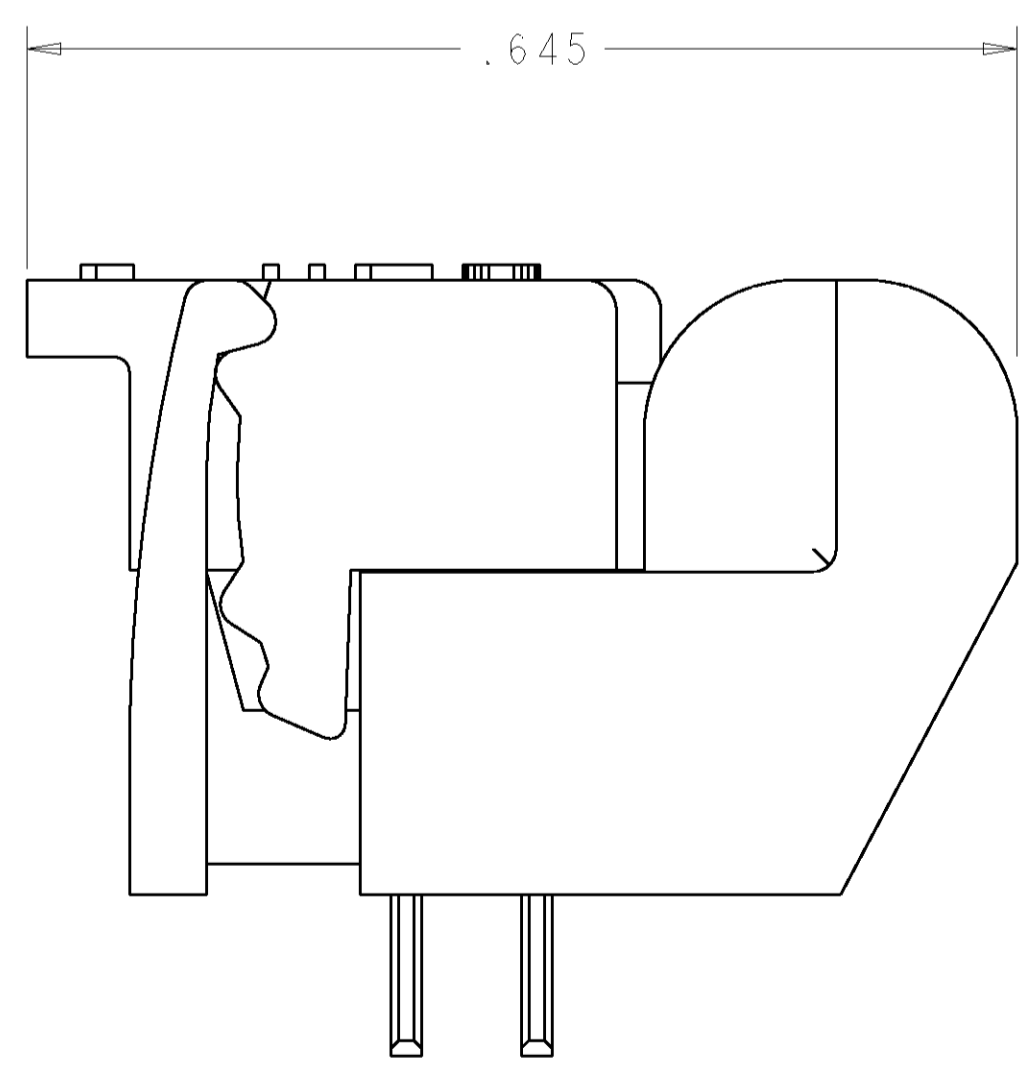
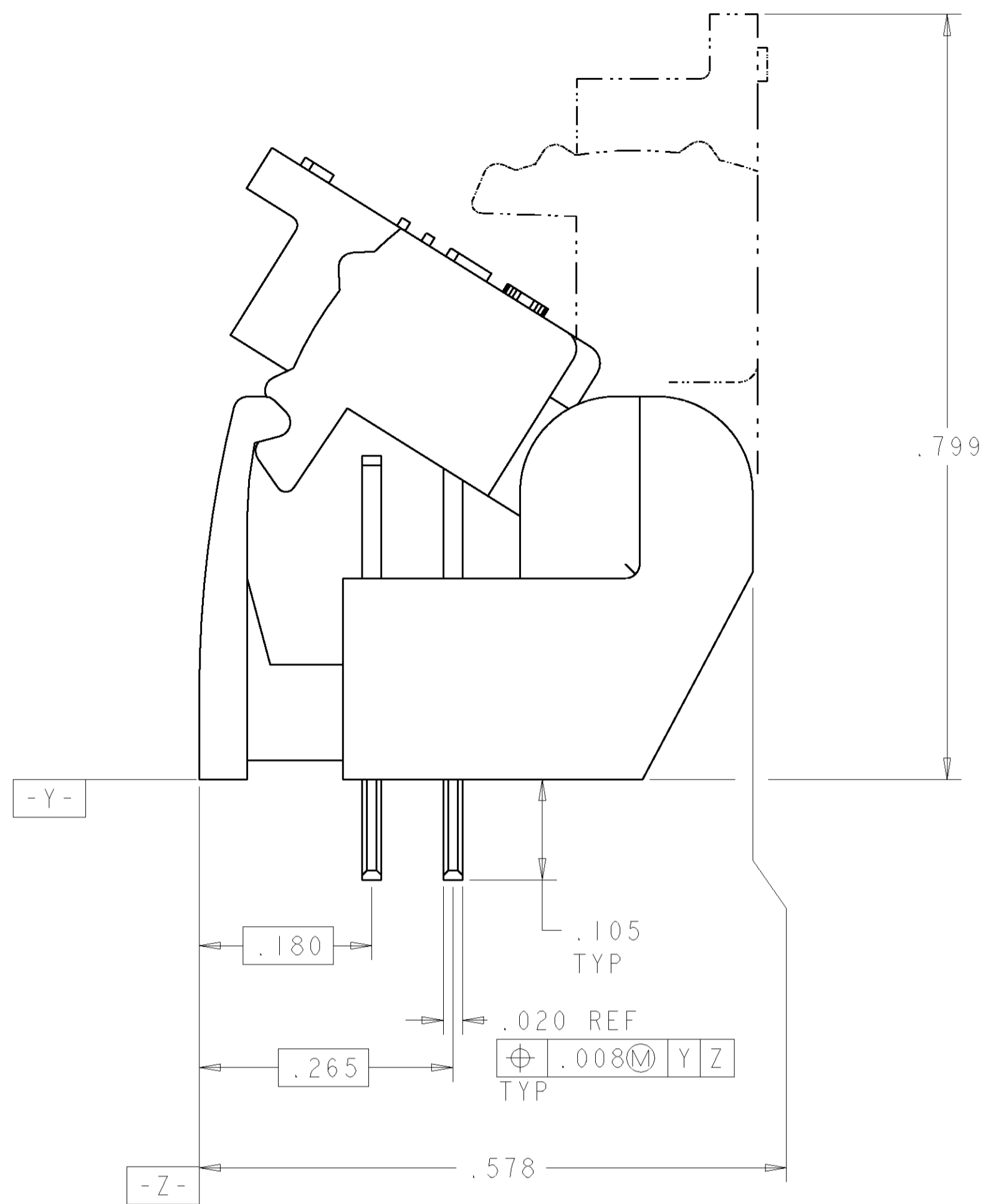


LOC	DIST	REVISIONS					
		F	LTR	DESCRIPTION	DATE	DWN	APVD
GP	0						
	B			REVISED: EC 0U1C-0007-01	22JAN2001	JA	TW
	C			ADDED: -2; EC 0U1F0-0113-01	08AUG2001	DLD	AWR
	D			REVISED PER EC 0S15-0450-02	21JAN2003	DLD	RPM
	E			REVISED PER EC 0S15-0324-03	08DEC2003	JB	CF

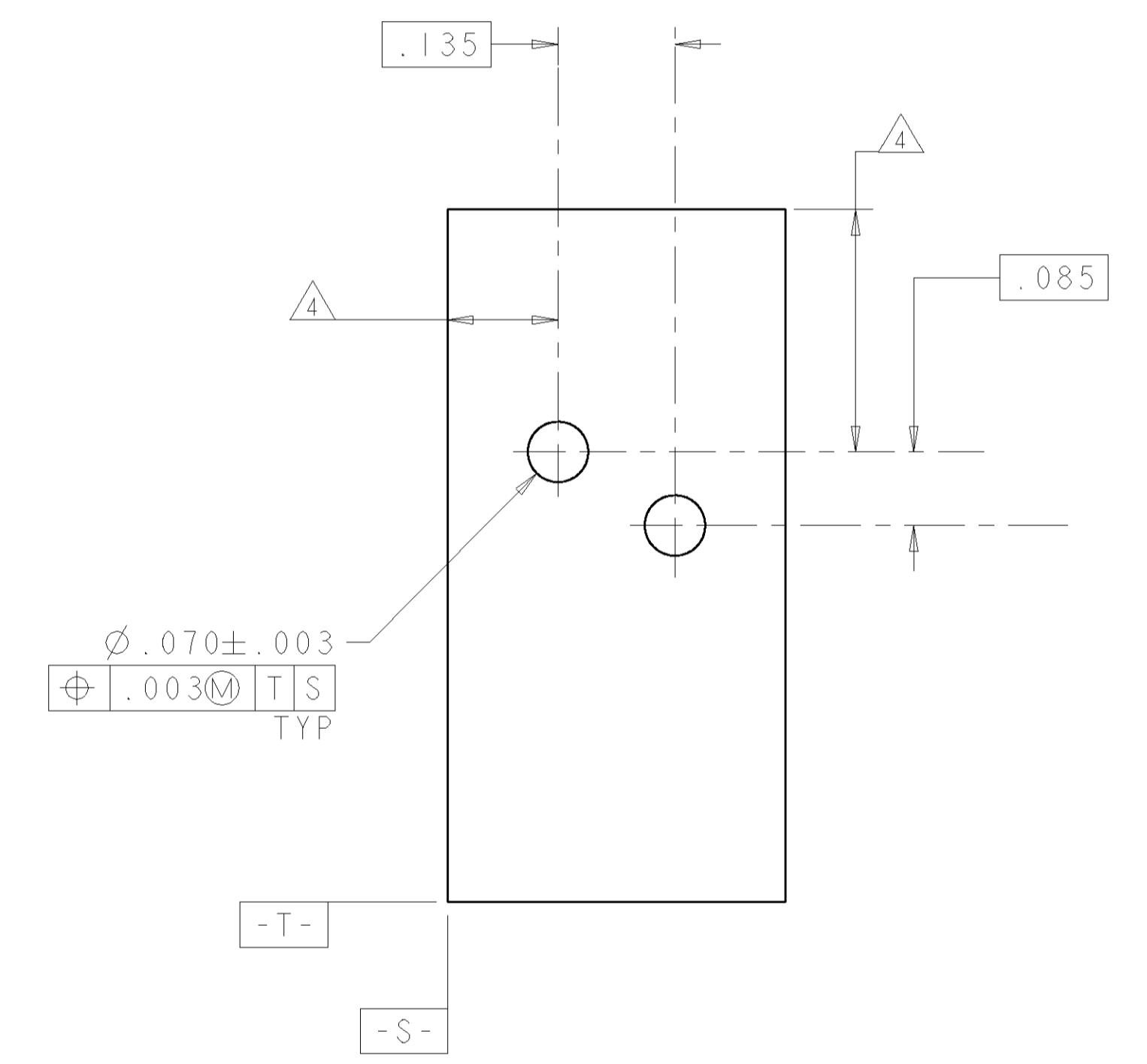
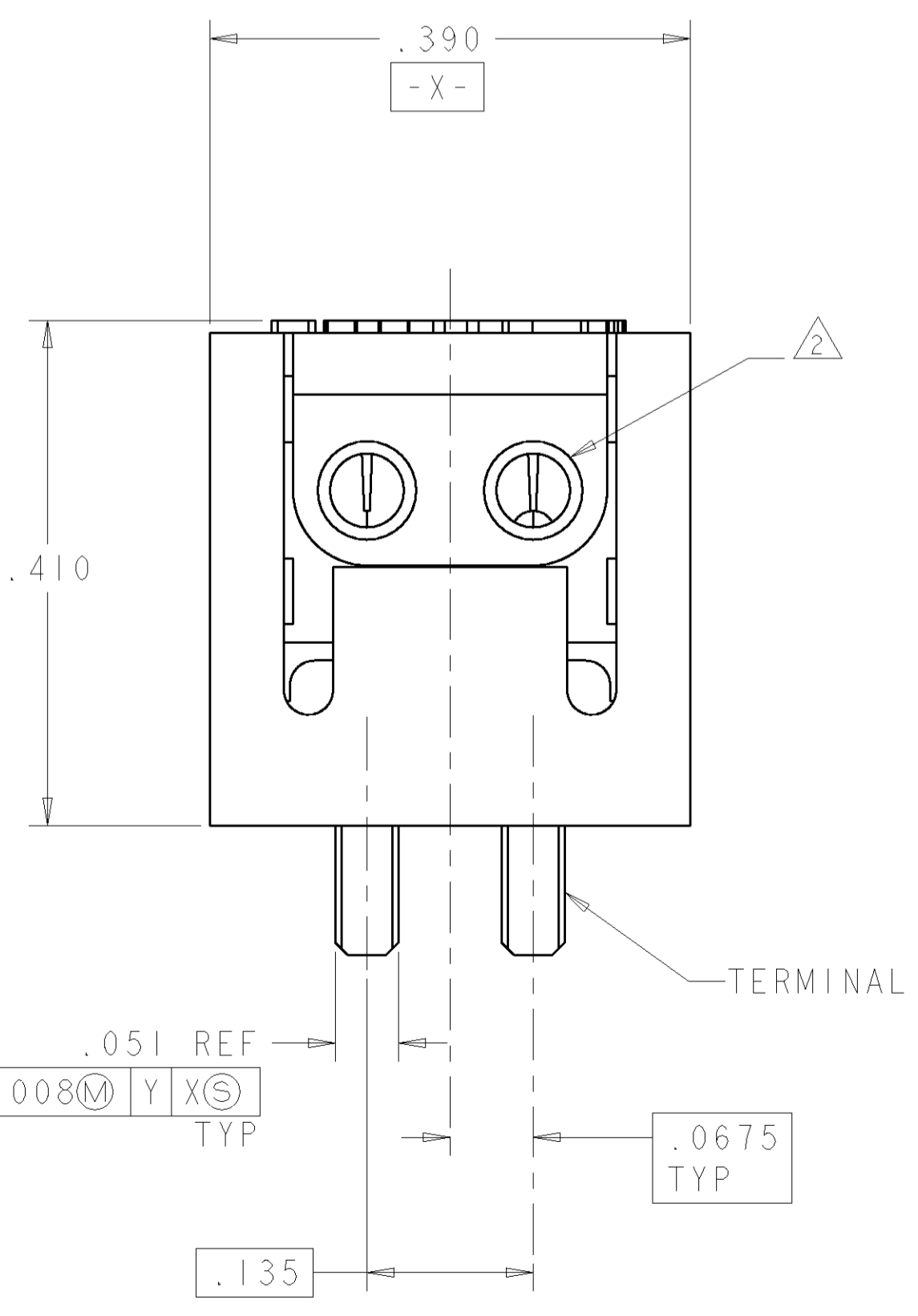


1339345-1 SHOWN



CLOSED POSITION

- △ MATERIAL: BASE - POLYESTER MOLDING COMPOUND, BLACK.  
 WIRE STUFFER: - POLYESTER MOLDING COMPOUND, BLACK.  
 TERMINAL - COPPER ALLOY, PLATED WITH 3.81μm MINIMUM THICK TIN OVER 1.27μm MINIMUM THICK NICKEL UNDERPLATE.
- △ EACH WIRE ENTRY HOLE ACCEPTS ONE UNSTRIPPED SOLID COPPER 22-26 AWG WIRE WITH WIRE INSULATION DIAMETER RANGE FROM .060 THROUGH .040. OTHER WIRE SIZES AND TYPES SHALL BE SUBMITTED TO AMP ENGINEERS FOR APPLICATION APPROVAL.
- 3. SOLDER TABS PROVIDED FOR PERMANENT BOARD MOUNTING.
- △ LOCATION OF HOLE PATTERN DETERMINED BASED ON CUSTOMER REQUIREMENTS.



SUGGESTED PRINTED CIRCUIT BOARD MOUNTING DIMENSIONS VIEWED FROM SOLDER SIDE

BLANK	1339345-2
HOT GND	1339345-1
MARKINGS	PART NUMBER

<small>THIS DRAWING IS UNPUBLISHED. RELEASED FOR PUBLICATION. ALL RIGHTS RESERVED. ANY REVISIONS TO THIS DRAWING MUST BE CONTROLLED BY THE ORIGINAL DRAWING ORGANIZATION. SHOULD BE CONTACTED FOR THE LATEST REVISION.</small>		DWN: J. AHERON CDR: - APVD: T. WOJCIACKI	I1SEPOD I1SEPOD I1SEPOD	AMP Incorporated Harrisburg, PA 17105-3608
DIMENSIONS: INCHES TOLERANCES UNLESS OTHERWISE SPECIFIED: 0 PLC ±. 1 PLC ±.01 2 PLC ±.01 3 PLC ±.005 4 PLC ±. ANGLES ±. FINISH -	PRODUCT SPEC APPLICATION SPEC WEIGHT CUSTOMER DRAWING	NAME: ASSEMBLY, SINGLE PAIR, DOUBLE ENTRY, PIVOT II CONNECTOR SIZE: A1 CAGE CODE: 00779 DRAWING NO: 1339345	SCALE: 8:1 SHEET: 1 OF 1 REV: F	AMP Logo