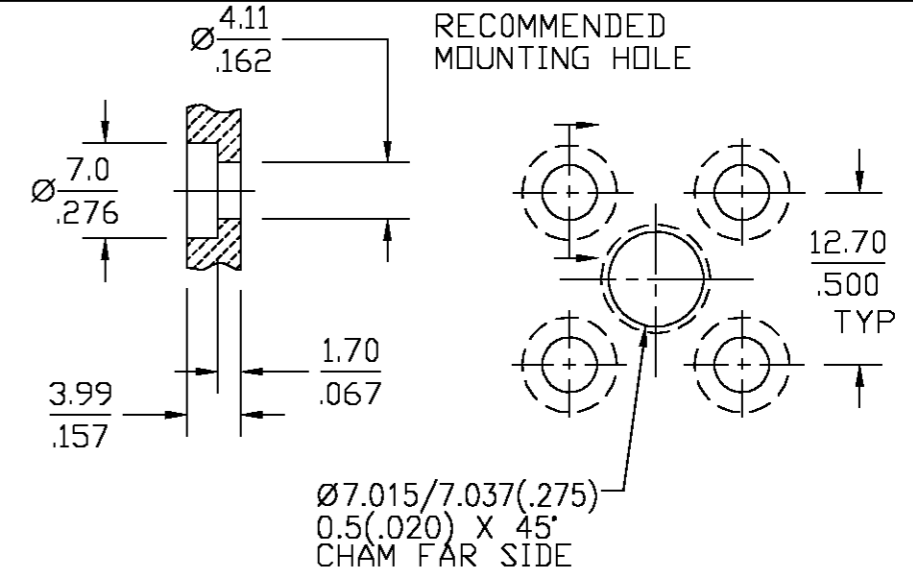


REVISIONS			
REV	DESCRIPTION	DATE	APPROVED
01 0	RELEASED	DM 6/28/99	DCam 7/6/99
B	REVISED PER ECN 0U20-0262-01	GV 1/6/03	JGH



ELECTRICAL	MECHANICAL	ENVIRONMENTAL	HOUSING	MATERIAL	FINISH
Nominal Impedance (Ohms) 50	Interface Dimensions MIL-STD-348A Fig. 321.1 & 310.2	TEMPERATURE RATING -65°C TO +125°C	STAINLESS STEEL TYPE 316	PASSIVATE PER QQ-P-35	
Frequency Range (GHz) DC to 12.4	Recommended Mating Torque 7-10 in-Lb	Vibration MIL-STD-202, Method 204, Condition D	DIELECTRIC	PTFE FLUOROCARBON PER ASTM-D-1457	N/A
Volt Rating (VRMS MAX) @ Sea Level 335	Mating Characteristics: Insertion (MAX Lbs) 3	Shock MIL-STD-202, Method 213, Condition I	CENTER CONTACT	BERYLLIUM COPPER PER ASTM-B-196 OR ASTM-B-197, ALLOY C17300, CONDITION H	GOLD PLATE PER MIL-G-45204
VSWR TBD	Withdrawal (MIN Oz) 1	Thermal Shock MIL-STD-202, Method 107, Condition B	O-RING	FLOUROSILICONE PER MIL-R- 25988, CLASS I, TYPE I.	N/A
Insertion Loss (dB MAX) .06 √f(GHz)	Force to Engage (MAX) OSP 3 (Lbs) SMA 2 (In Lbs)	Moisture Resistance MIL-STD-202, Method 106, Except Step 7B			
RF Leakage (dB MIN) -[60-f(GHz)]	Force to Disengage (MAX) OSP 1.5 (Lbs) SMA 2 (In Lbs)	(Vibration) Shall Be Omitted			
Corona, 70,000 Ft (VRMS MIN) 250	Center Contact Captivation Axial (Lbs) 6 MIN	Corrosion - MIL-STD-202, Method 101, Condition B, 5% salt spray			
Dielectric Withstanding Voltage (VRMS MIN) @ Sea Level 1000	Radial (In Oz) N/A				
Contact Resistance (Milliohms MAX) Center Contact 4.0	Weight (Grams) TBD				
Outer Contact 2.0					
Cable to Housing N/A					
RF High Potential @ Sea Level (VRMS MIN @ 5 MHz) 670					
I.R.(Megohms MIN) 5000					
			COMPONENT	MATERIAL	FINISH
			UNLESS OTHERWISE SPECIFIED DIMENSIONS ARE mm TOLERANCE ON	DRAWN BY TOM WAGNER	DATE 3/19/99
			FRAC. DEC. ANGLES	CHECKED BY	
			± 1/64 ± 0.10 ± 1°	APP'D BY	
			These drawings and specifications are the property of AMP Incorporated and shall not be reproduced or copied or used in whole or in part as the basis for the manufacture or sale of item(s) without written permission.	AMP Incorporated 140 Fourth Avenue Waltham, MA 02451-7599	
			USE ASS'Y PROCEDURE	TITLE DSP FLANGE MOUNT PLUG TO SMA JACK RIGHT ANGLE ADAPTER	
			NO. AP. N/A	SIZE B	CODE IDENT NO. 26805
				4588-5001-02	REV 01 0
				SCALE 2:1	SHEET 1 OF 1

XX.XX = mm  
.XXX = in (REF)

CUSTOMER DRAWING

AMP PART # 1331567-1  
SHEET 1 OF 1 REV B