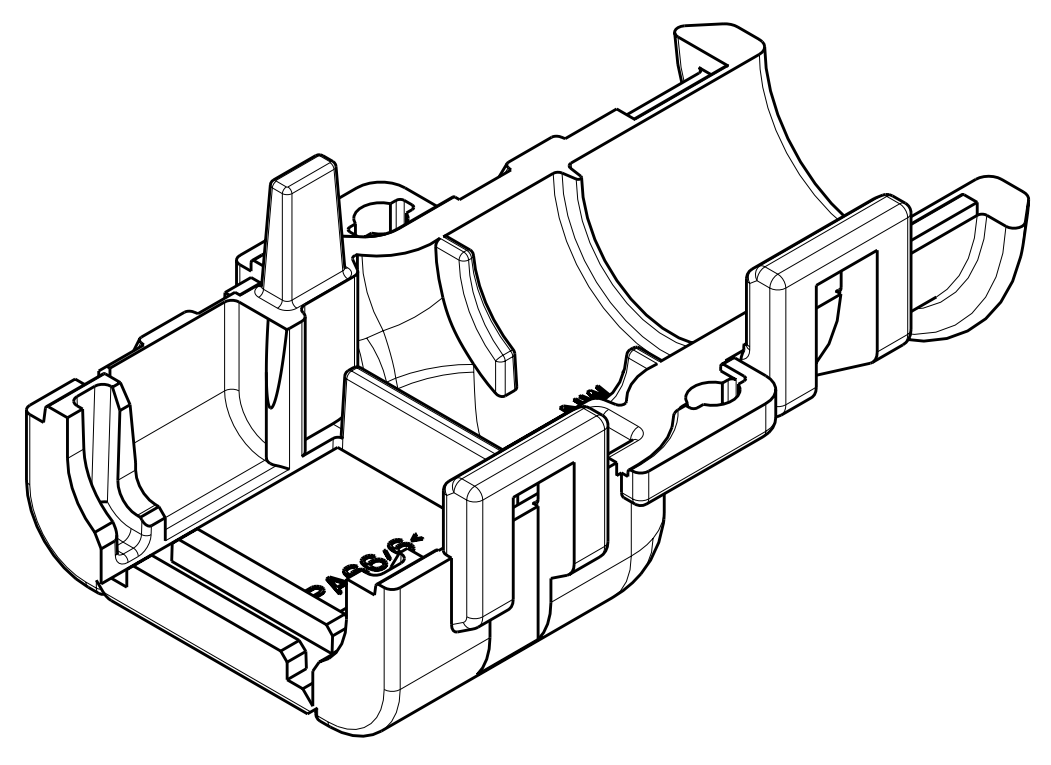
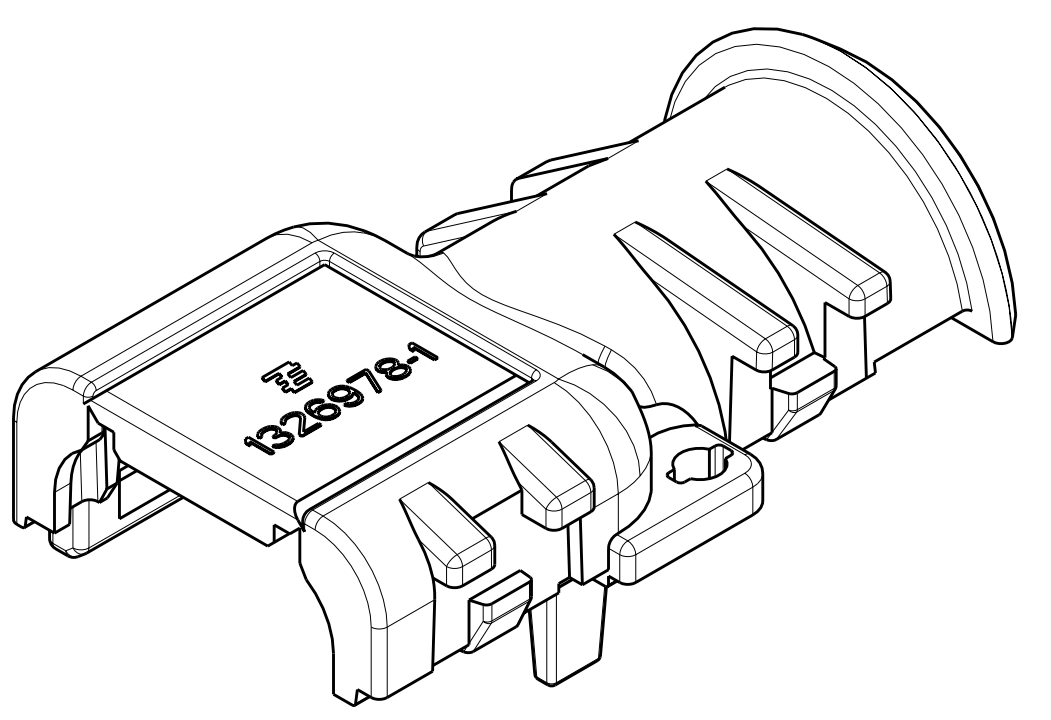


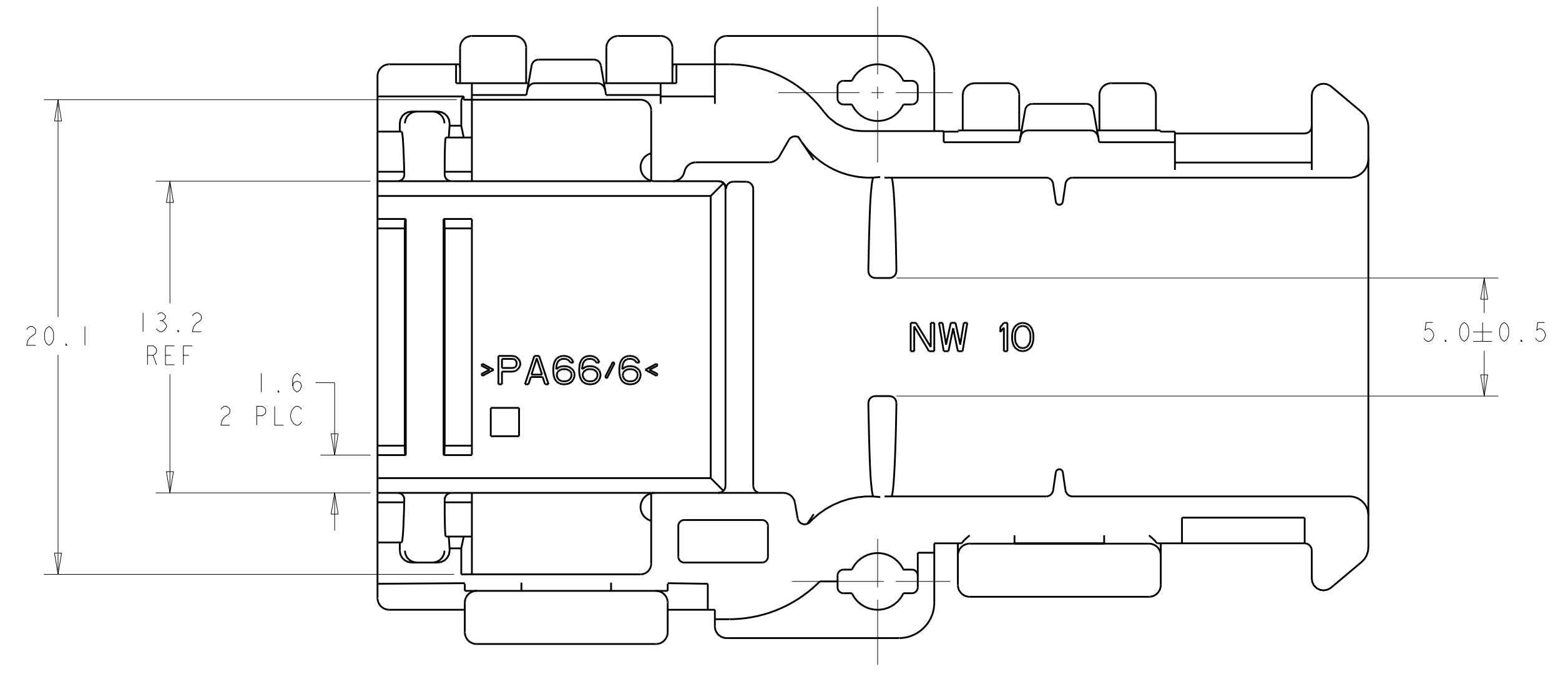
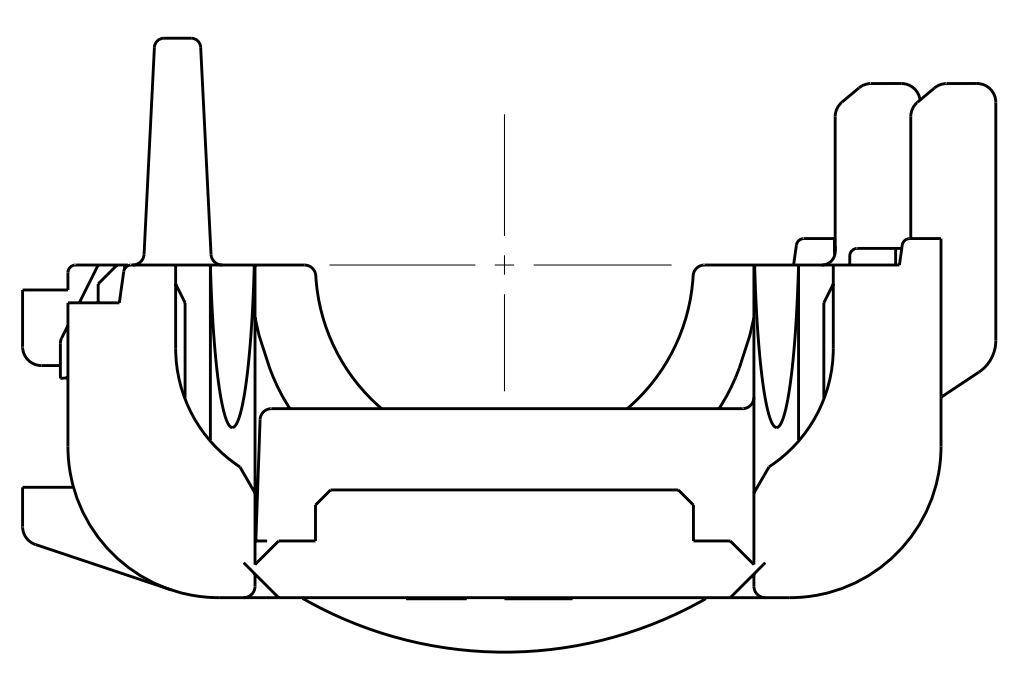
LOC	DIST	REV	DESCRIPTION	DATE	DWN	APVD
-	-	A	RELEASE	12MAR2008	JM	JM
-	-	A1	REV PER ECR-08-006596	02APR2008	JM	JM
-	-	A2	REV PER ECR-08-016288	26JUN2006	JM	JM



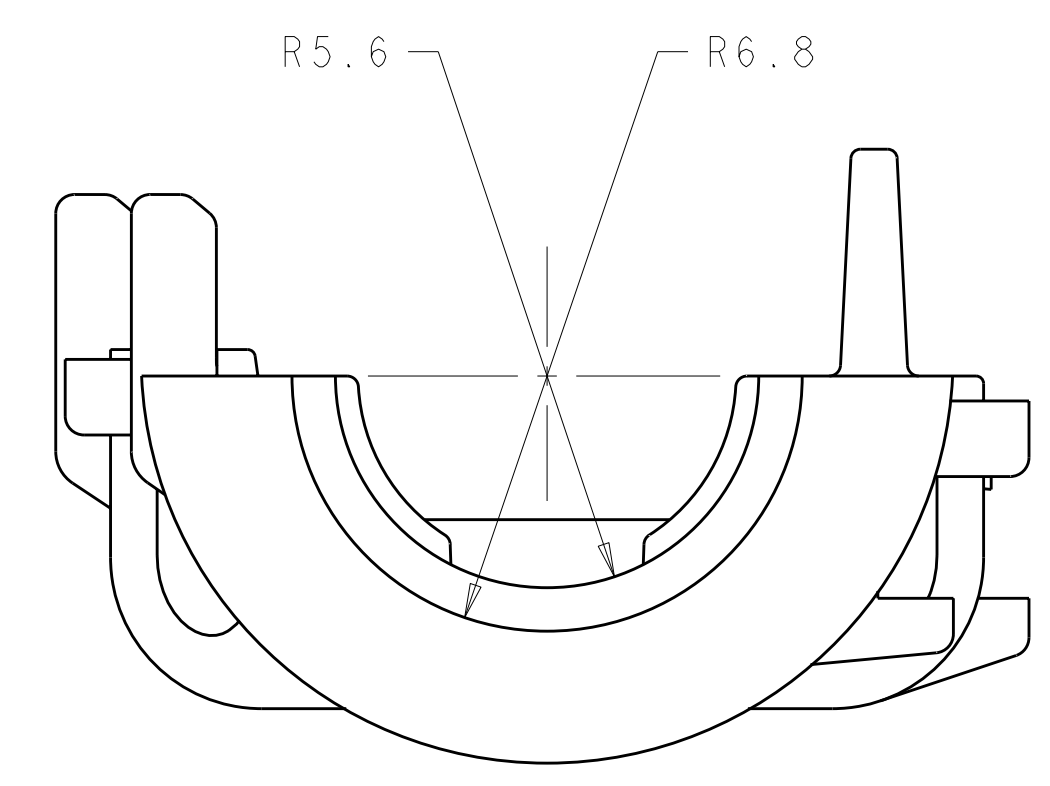
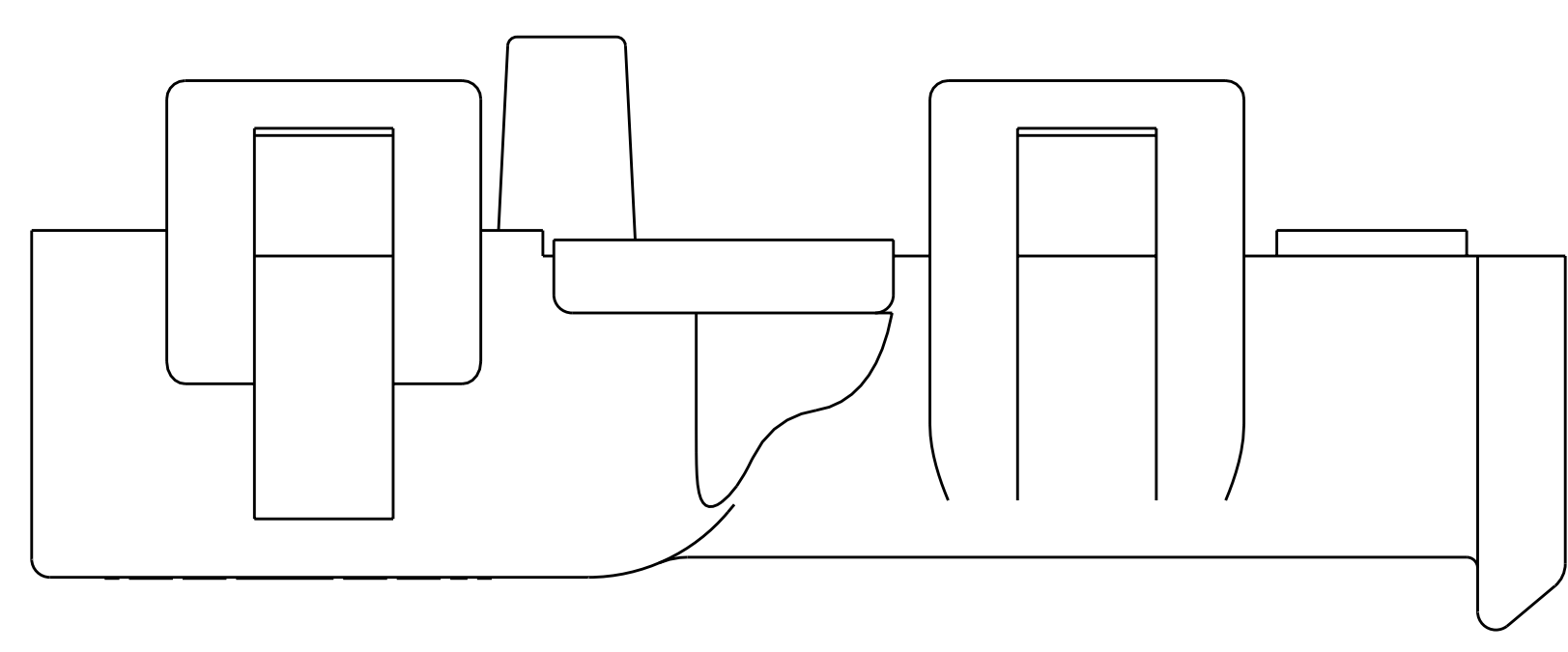
SCALE 3:1



SCALE 3:1

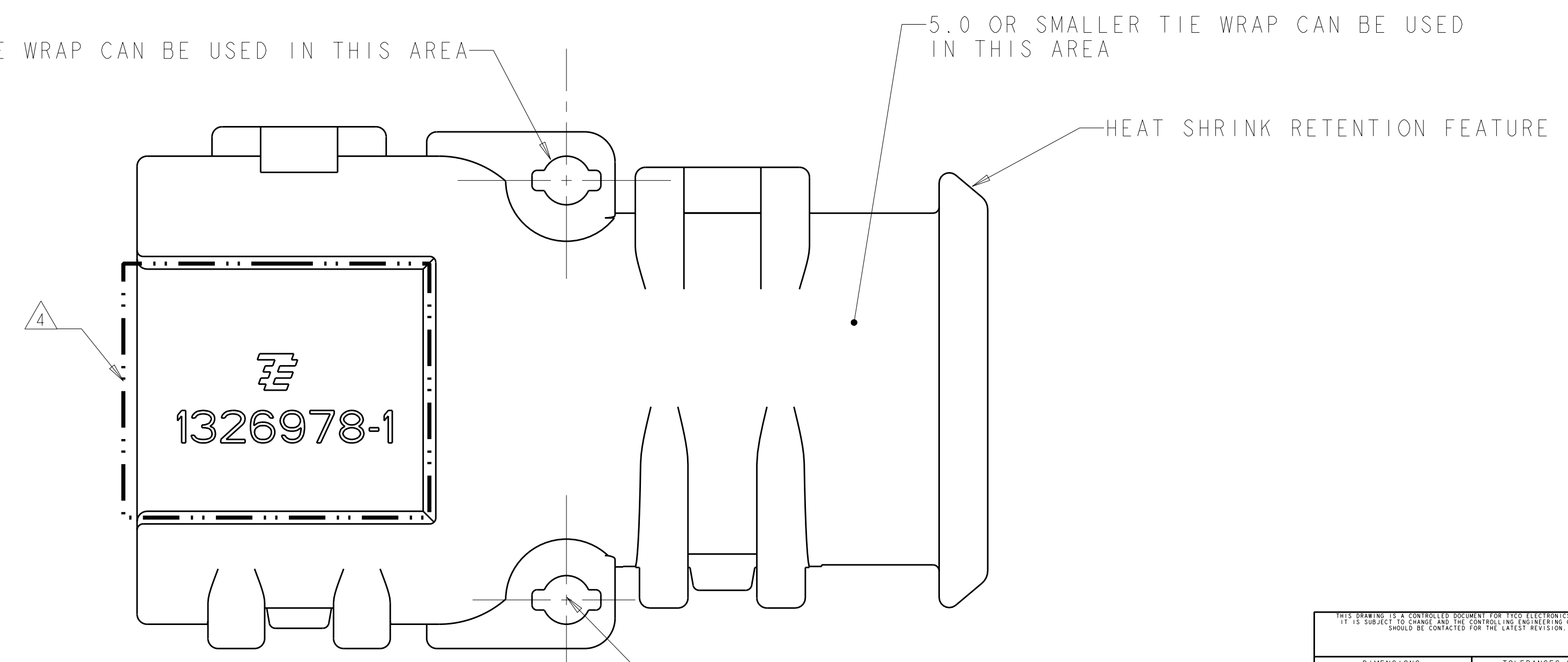


- △ MATERIAL: NYLON MOLDING COMPOUND, BLACK, PA66
- 2. FITS CONDUIT SIZE NW10/METRIC 12
- 3. BACKSHELL DESIGNED SUCH THAT TWO HALVES ATTACH TO ONE ANOTHER AND CLAMSHELL AROUND THE CONNECTOR COVER.
- △ IN ORDER TO MOUNT THE BACKSHELL TO A PLUG CONNECTOR, THIS AREA MUST BE BROKEN OUT ON 1 HALF OF THE CONNECTOR BACKSHELL.



3.0 OR SMALLER TIE WRAP CAN BE USED IN THIS AREA

5.0 OR SMALLER TIE WRAP CAN BE USED IN THIS AREA



2709mm	AS SHOWN	1326978-1
VOLUME	DESCRIPTION	PART NO.

DIMENSIONS: mm 		TOLERANCES UNLESS OTHERWISE SPECIFIED: 0 PLC ± 1 PLC ±0.2 2 PLC ± 3 PLC ± 4 PLC ± ANGLES ± FINISH		DWN W. HOELSCHER 04AUG2005 CHK R. SIMMONS 04AUG2005 APVD DAVE KLEIN 04AUG2005 NAME PRODUCT SPEC APPLICATION SPEC SIZE CAGE CODE DRAWING NO WEIGHT CUSTOMER DRAWING		Tyco Electronics Harrisburg, PA 17105-3608 Tyco Electronics BACK SHELL, 180 DEGREE, 2 WIRE, NW10 FLEXIBLE CONDUIT, WITH SHRINK TUBE, ADAPTER, AMPSEAL 16 A100779C-1326978 SCALE 5:1 SHEET 1 OF 1 REV A2	
-----------------------	--	--	--	--	--	--	--