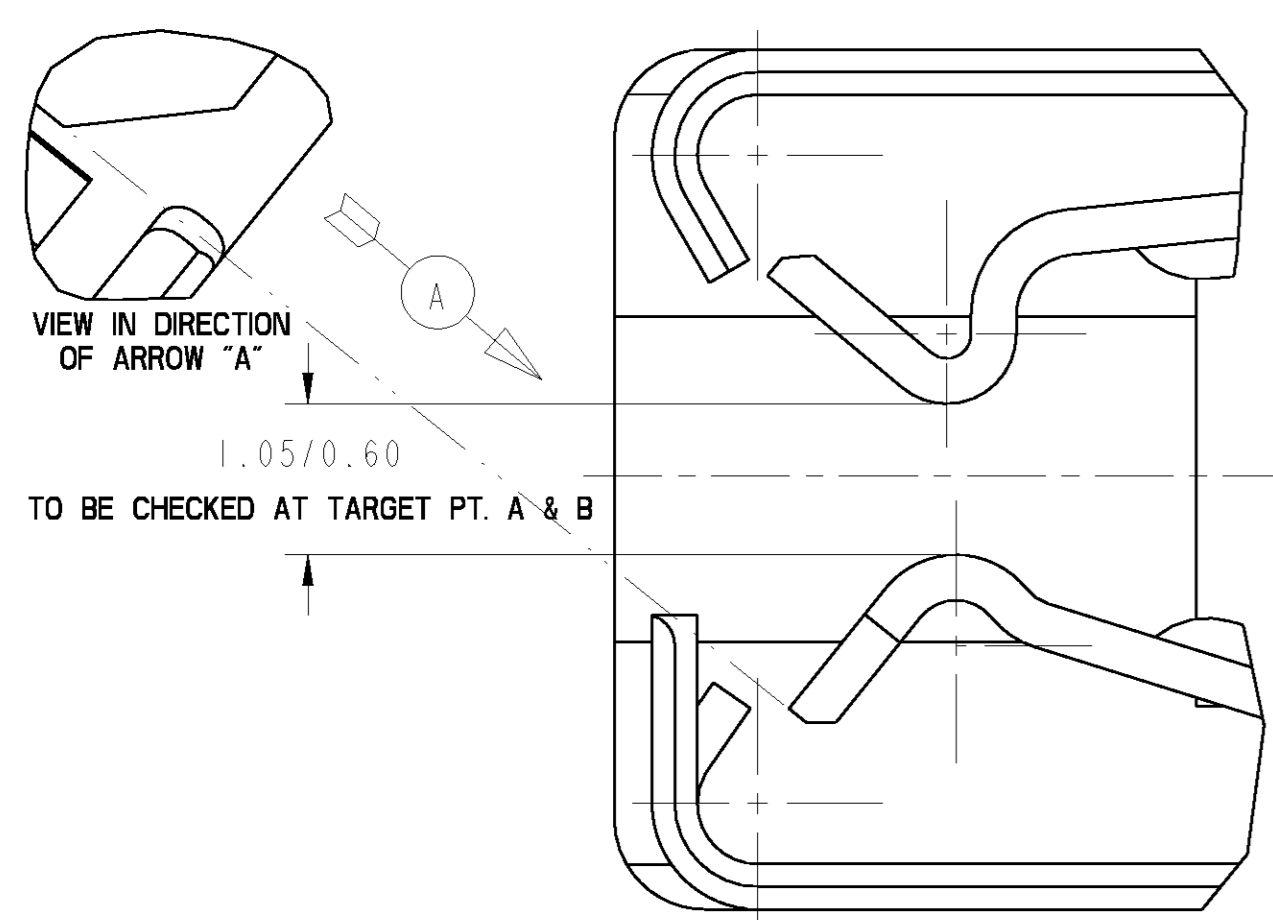
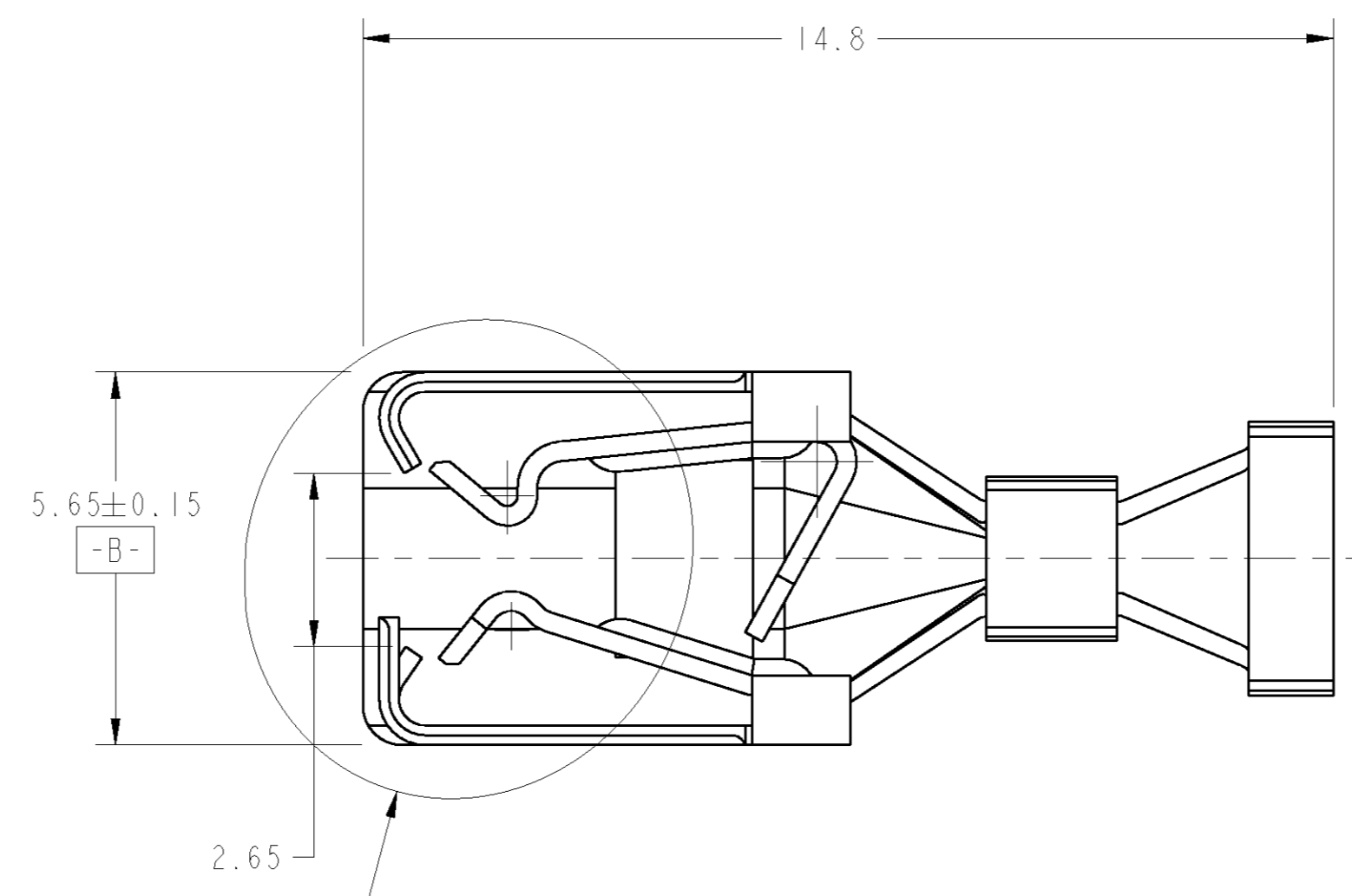


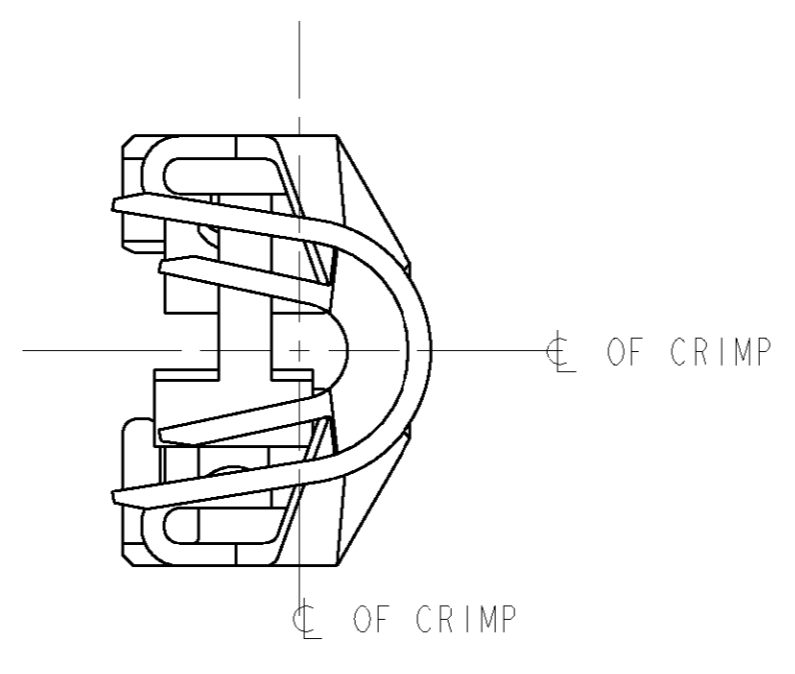
REVISONS		DATE	DWN	APVD
0	Release	15FEB2001	E. L.	S. R.
A	EC OKTS-0106-04	09JUN2004	EL	SR
B	EC OKTS-0116-04	09JUN2004	EL	SR



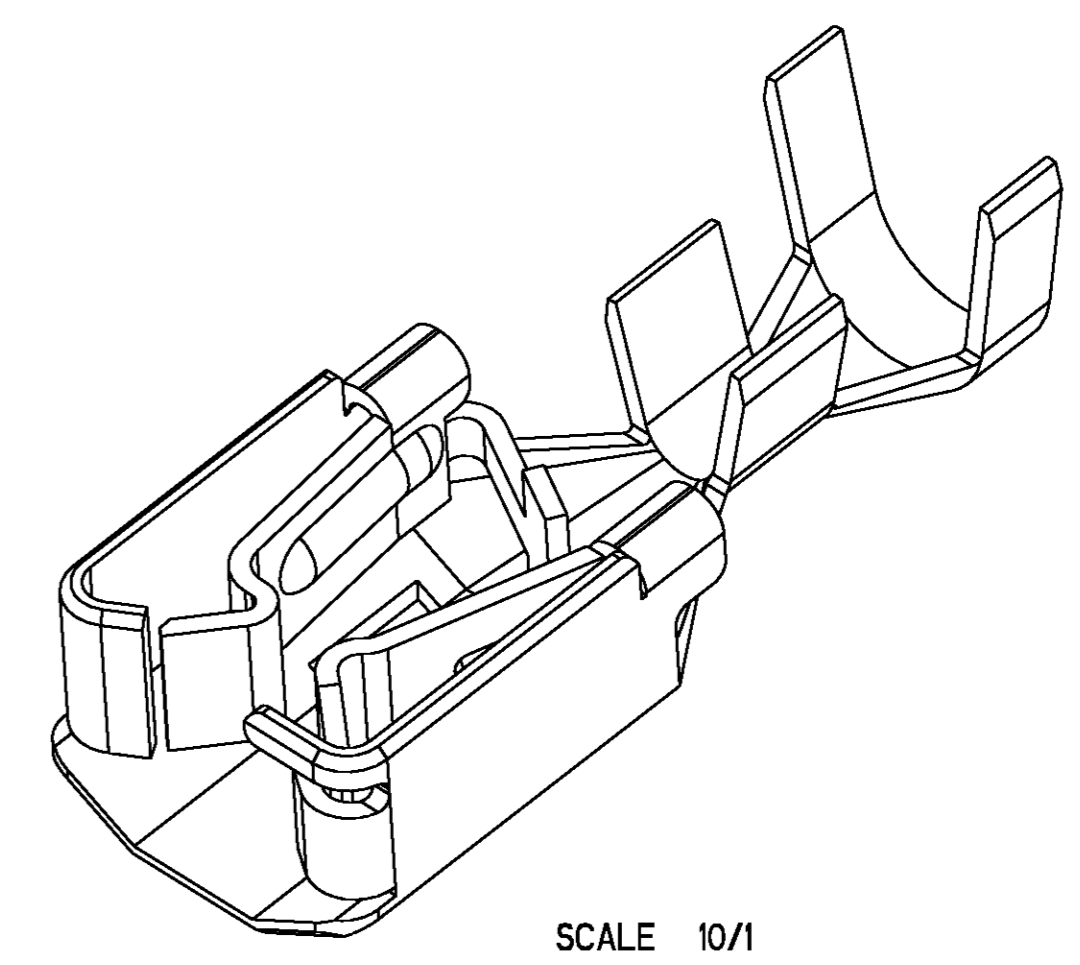
DETAIL A  
SCALE 20/1



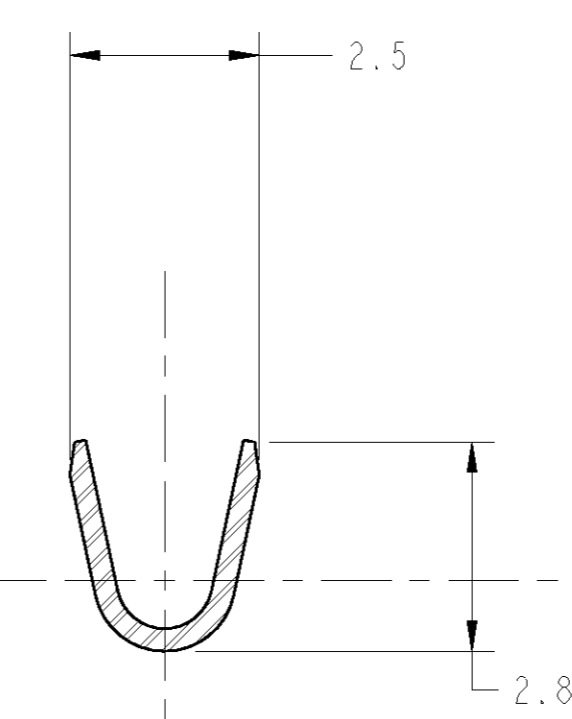
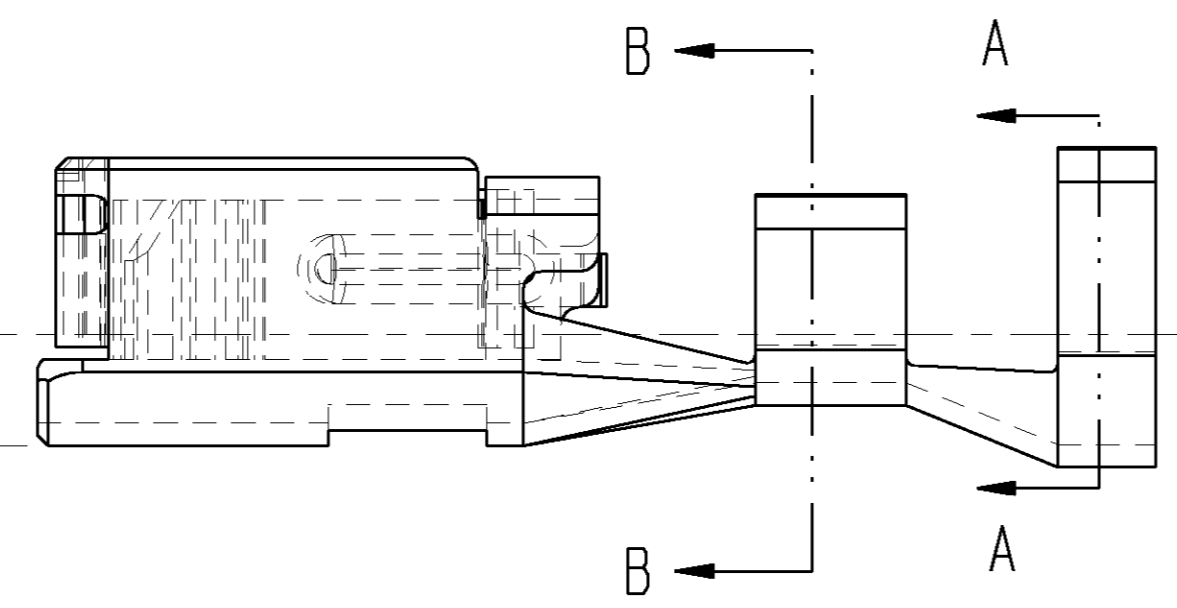
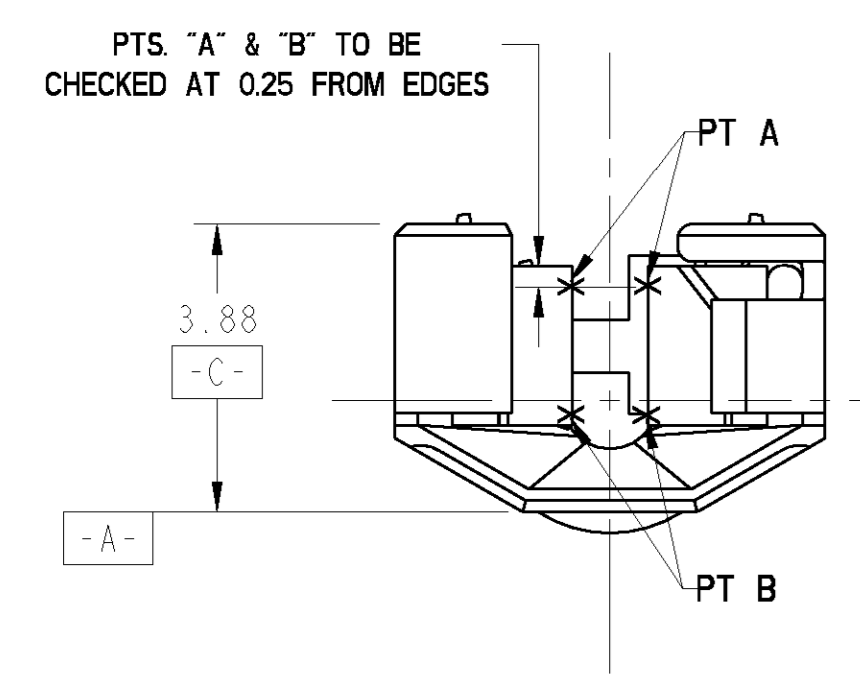
SEE DETAIL A



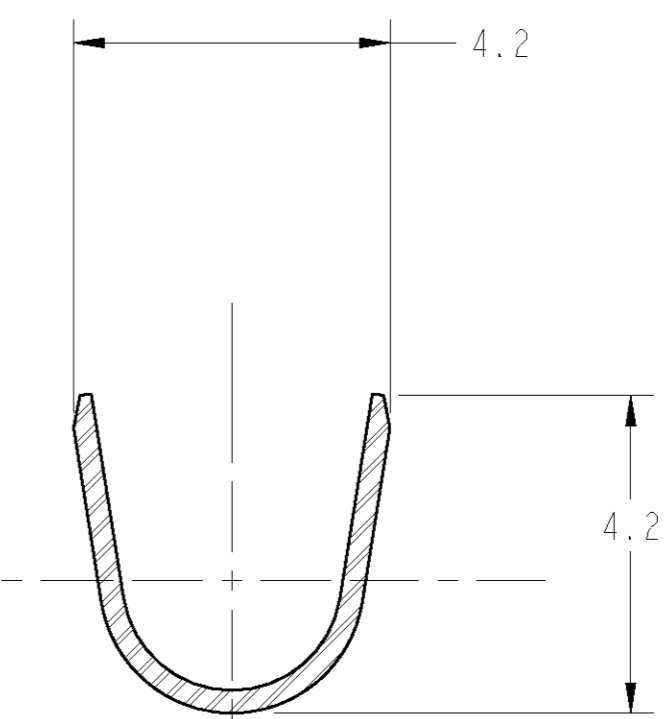
SCALE 1/1



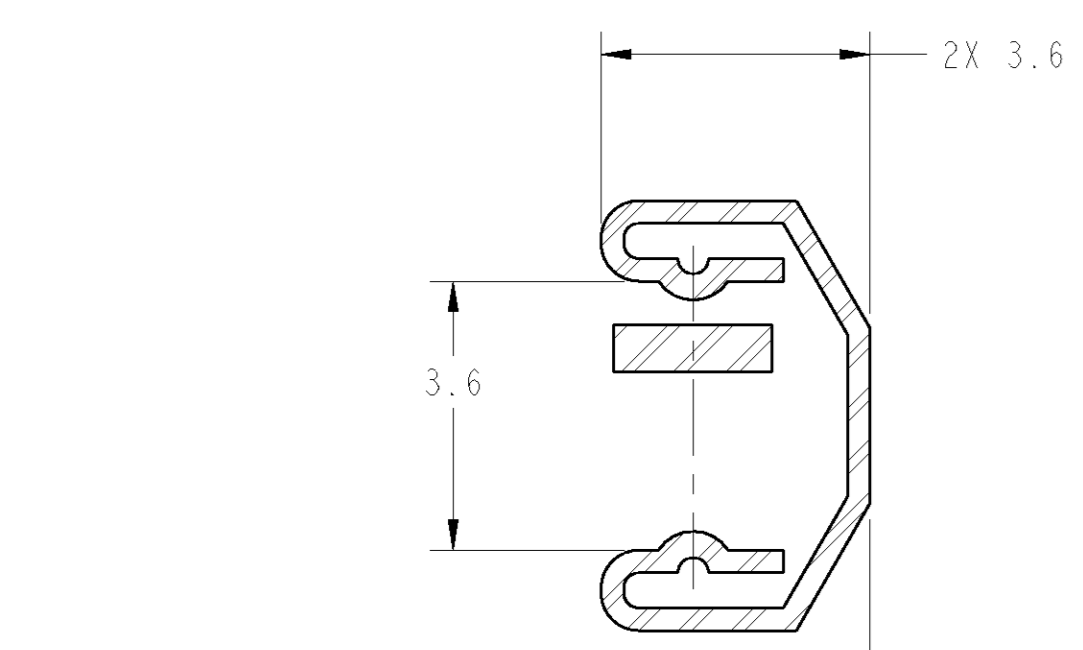
SCALE 10/1



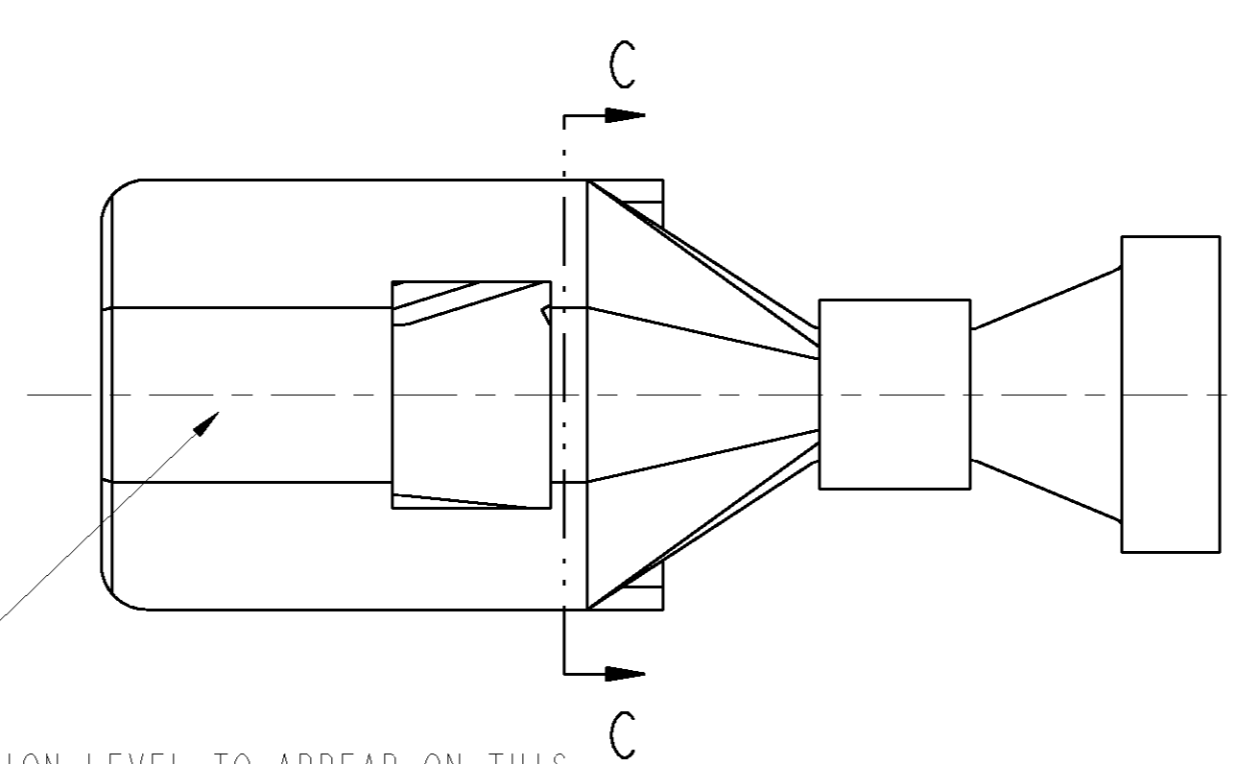
SECTION B-B  
SCALE 10/1



SECTION A-A



SECTION C-C



NOTE:  
UNLESS OTHERWISE SPECIFIED, PARTS ARE TO BE FREE OF BURRS, DIE MARKS, OR OTHER IMPERFECTIONS THAT COULD AFFECT FUNCTION OR DETRACT FROM APPEARANCE.

ALL OUTER EDGES, (EXCEPT FOR THE GRIP AREA), MUST BE FREE OF SHARP EDGES.

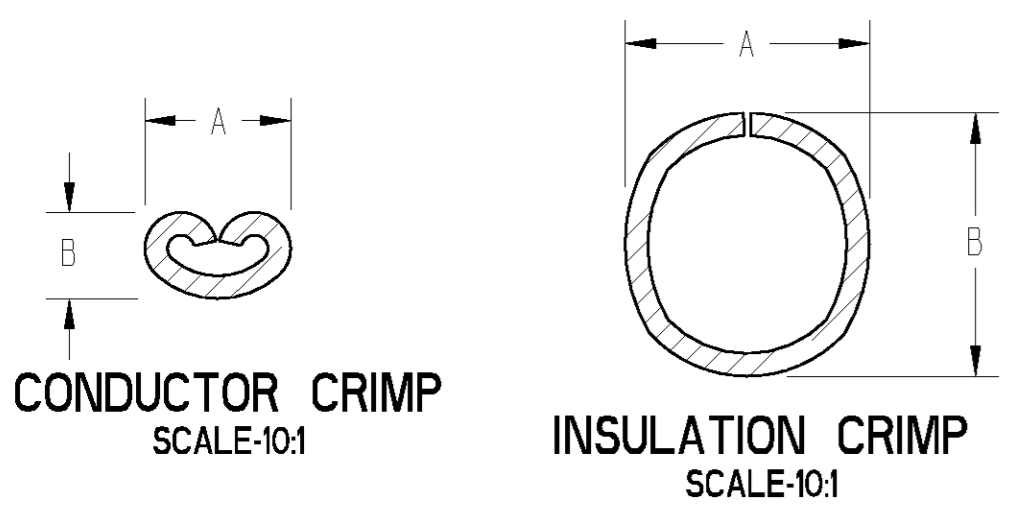
◆ QUALITY ASSURANCE REQUIREMENTS PER SPEC. PS7300

⬠ SIGNIFIES TOOL CRITICAL/FIRST FREQUENCY INSPECTION CHARACTERISTICS.

WEDGE BASE TYPE BULB INSERTION FORCE MUST NOT EXCEED 22.3N AND REMOVAL FORCE MUST NOT BE LESS THAN 4.5N.

**-MATERIAL-**  
 ASTM B103  
 UNS C52100  
 FULL HARD  
 MATERIAL THICKNESS- 0.30±0.013

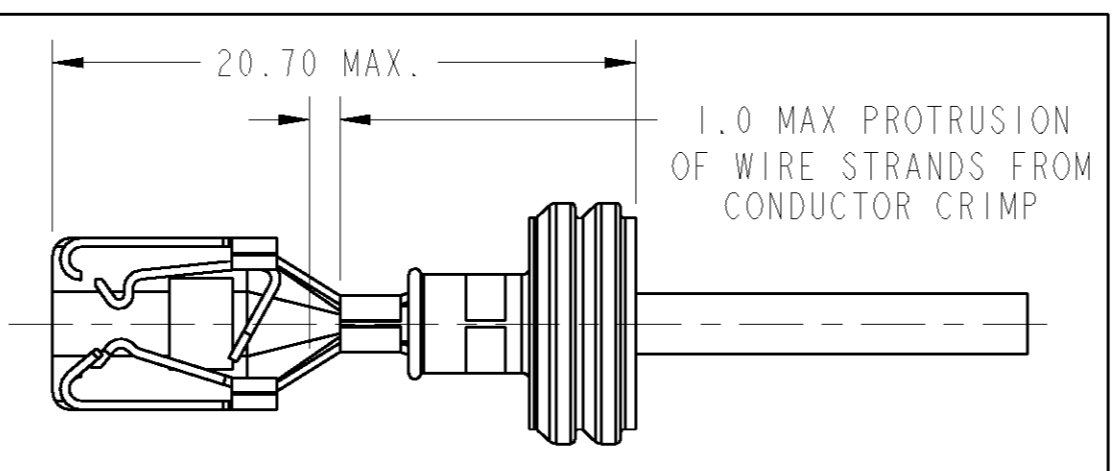
FINISH:  
 HOT TIN DIP PLATE (PRE PLATED)  
 0.5-2.5 micro mm



CONDUCTOR CRIMP  
SCALE-10:1

INSULATION CRIMP  
SCALE-10:1

DIMENSION	WIRE SIZE	
	18 GAGE	20 GAGE
CONDUCTOR CRIMP	A 1.93±0.10	1.90±0.10
	B 1.24±0.05	1.19±0.05
INSULATION CRIMP	A 3.3±0.10	3.3±0.10
	B 3.75±0.10	3.75±0.10



ASSEMBLY VIEW OF  
 TERMINAL, WIRE, AND CABLE SEAL.  
 SCALE 4/1

CABLE SEAL	REEL SIZE Ø	PART No.
1378870-1	762	1326857-2
1378870-1	609.6	1326857-1

DIMENSIONS:		TOLERANCES UNLESS OTHERWISE SPECIFIED:		DWN: E. Lucca 15FEB2001		Tyco Electronics	
mm		9 PLC ±0.1		CHK: S. Rahman 15FEB2001		Harrisburg, PA 17105-3608	
Ø		1 PLC ±0.1		APVD: S. Rahman 15FEB2001		NAME: TERMINAL P-NUT BULB (ASSEMBLY)	
H		2 PLC ±0.1		PRODUCT SPEC:		SIZE: CAGE CODE DRAWING NO. RESTRICTED TO	
R		3 PLC ±0.1		APPLICATION SPEC:		A   00779 C=1326857	
S		4 PLC ±0.1		WEIGHT:		SCALE 10:1 SHEET 1 OF 1 REV B	
T		5 PLC ±0.1		MATERIAL: Noted		CUSTOMER DRAWING	
F		ANGLES ±N/A		FINISH:			