

4

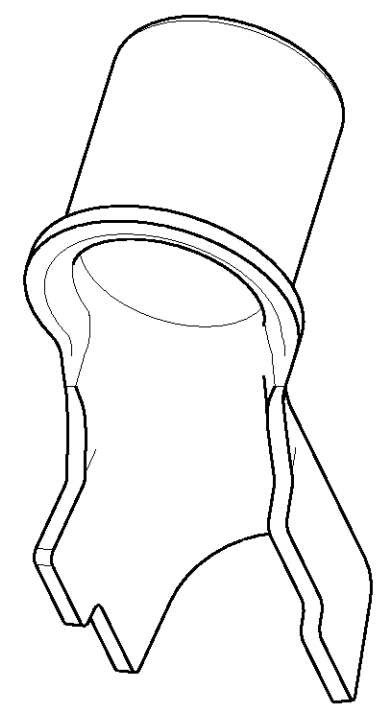
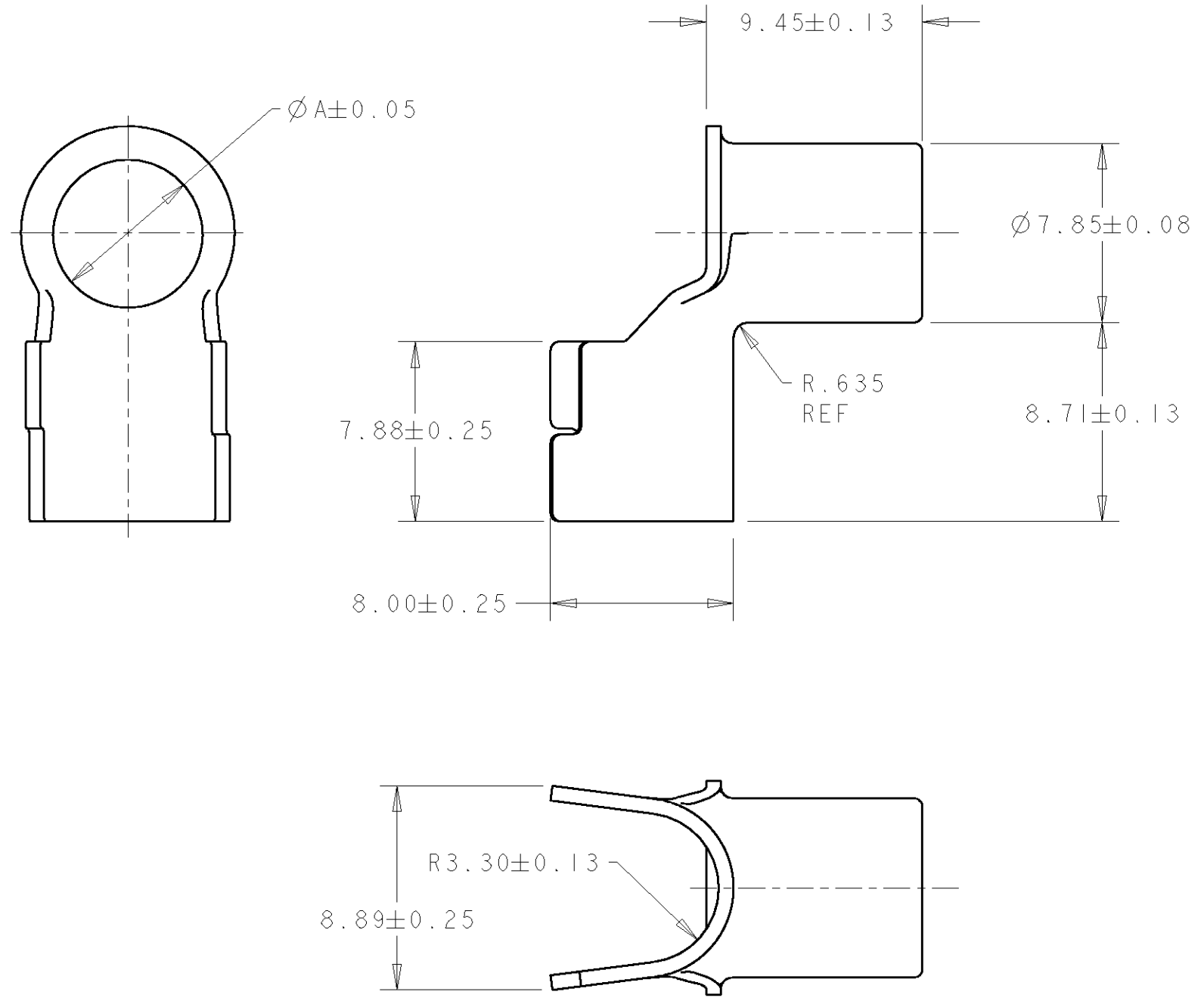
3

2

1

THIS DRAWING IS UNPUBLISHED. RELEASED FOR PUBLICATION 20
© COPYRIGHT 20 BY TYCO ELECTRONICS CORPORATION. ALL RIGHTS RESERVED.

LOC	DIST	REVISIONS				
P	LTR	DESCRIPTION	DATE	DWN	APVD	
GE	00					
	0	PRELIMINARY PER 0K40-1125-02	13NOV2002	APH	KLC	
	A	REVISED PER EC 0K40-0559-03	24SEP2003	APH	LLV	
	B	REVISED PER EC 0K40-0007-04	10FEB2004	DLD	LLV	
	C	REVISED PER EC 0K40-0090-04	22JUN2004	DLD	LLV	



- 1 MATERIAL: BRASS PER ASTM-B-36
- 2 FINISH: TIN PLATE PER ASTM-B-545

6.76	1326510-3
6.55	1326510-1
DIM. A	PART NUMBER

<small>THIS DRAWING IS A CONTROLLED DOCUMENT FOR TYCO ELECTRONICS CORPORATION. IT IS SUBJECT TO CHANGE AND THE CONTROLLING ENGINEERING ORGANIZATION SHOULD BE CONTACTED FOR THE LATEST REVISION.</small>		DWN A. HOLT 13NOV02 CHK K. COBLE 13NOV02 APVD K. COBLE 13NOV02		tyco Electronics Tyco Electronics Harrisburg, PA 17105-3608	
DIMENSIONS: MM		TOLERANCES UNLESS OTHERWISE SPECIFIED: 0 PLC ±- 1 PLC ±- 2 PLC ±0.13 3 PLC ±- 4 PLC ±- ANGLES ±-		NAME FERRULE, RIGHT ANGLE, SNAP LOCK	
MATERIAL 1		FINISH 2		PRODUCT SPEC -	
		APPLICATION SPEC 114-13010		SIZE A3 CAGE CODE 00779 DRAWING NO C-1326510 RESTRICTED TO -	
		WEIGHT -		SCALE 4:1 SHEET 1 OF 1 REV C	
CUSTOMER DRAWING					