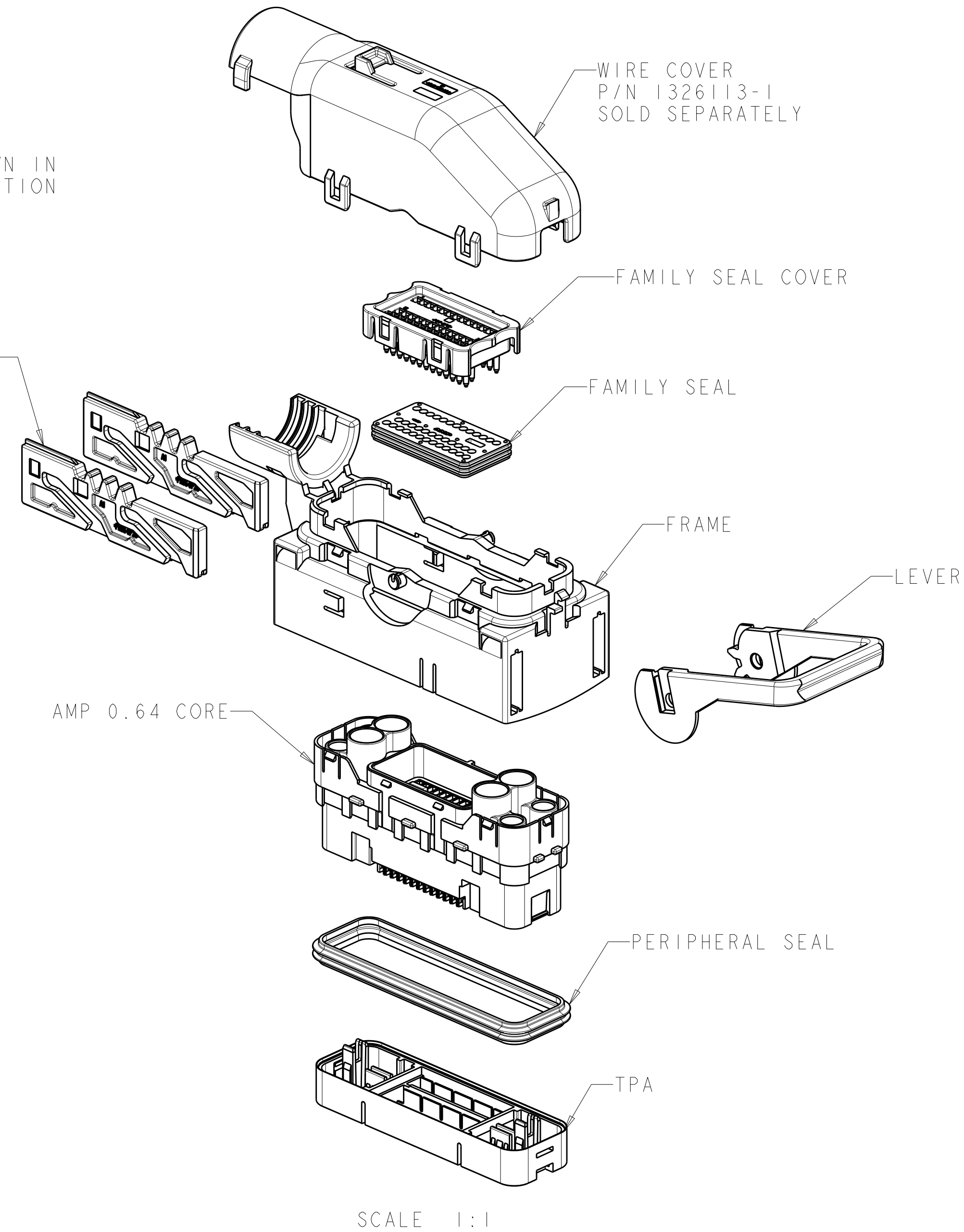
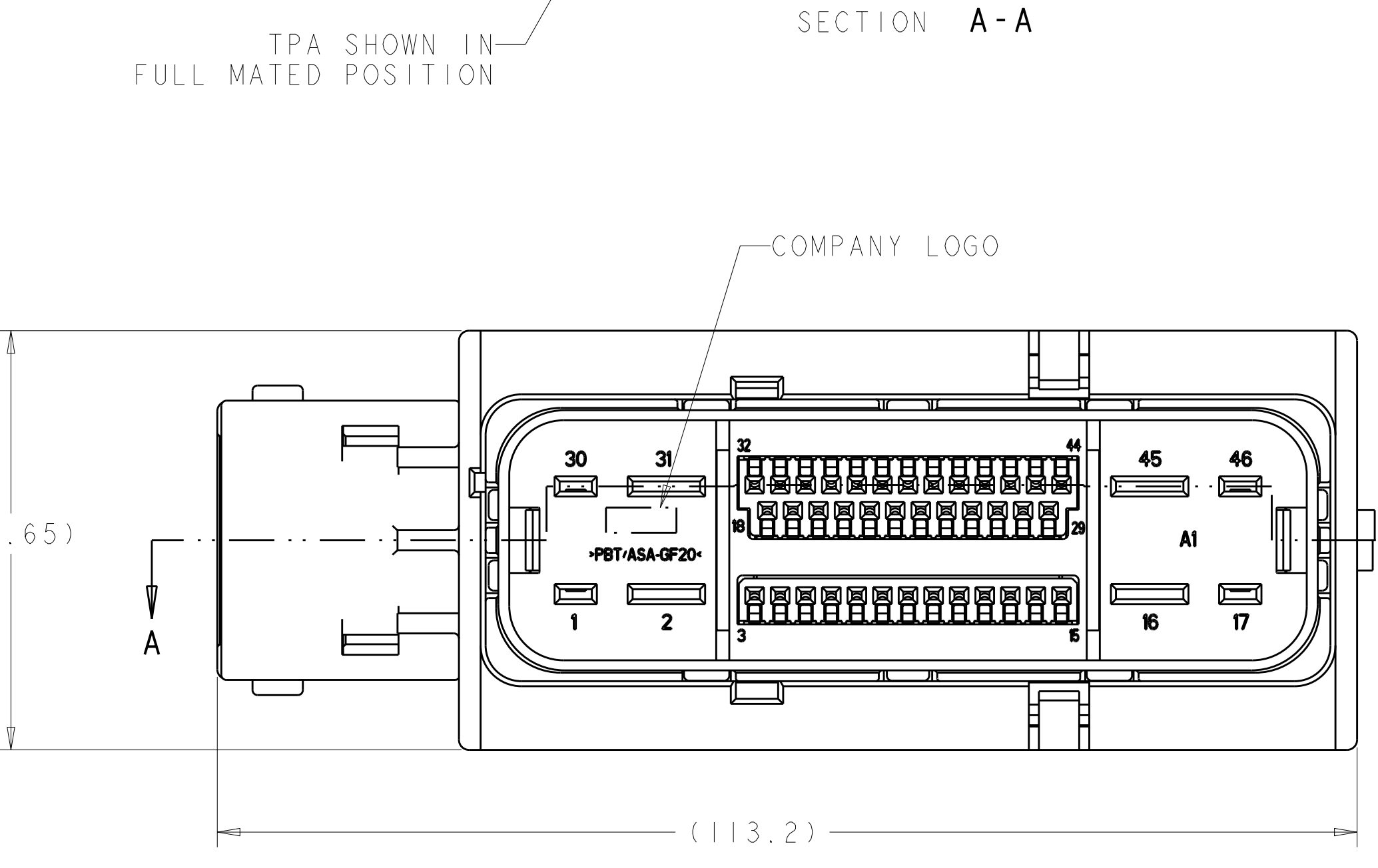
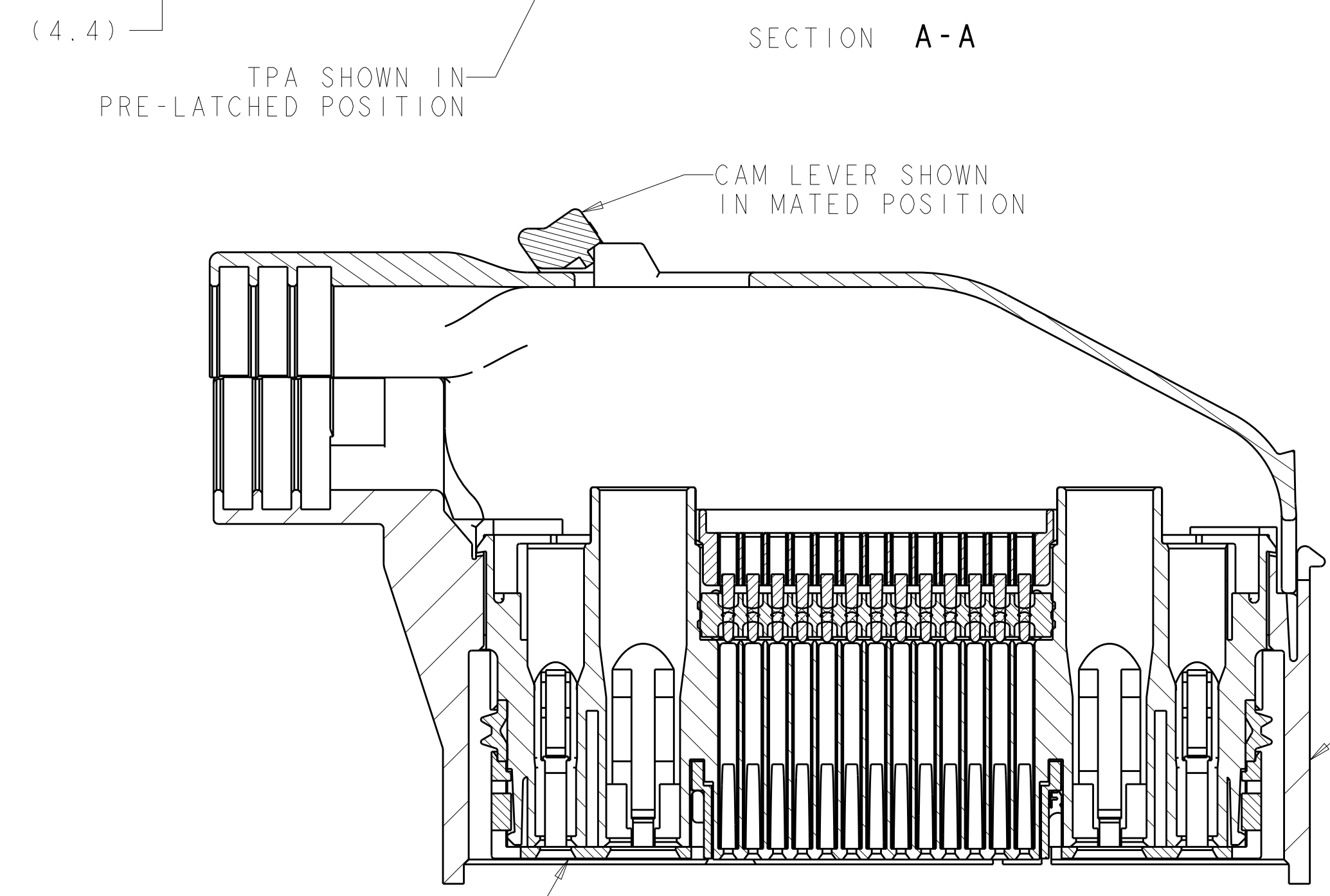
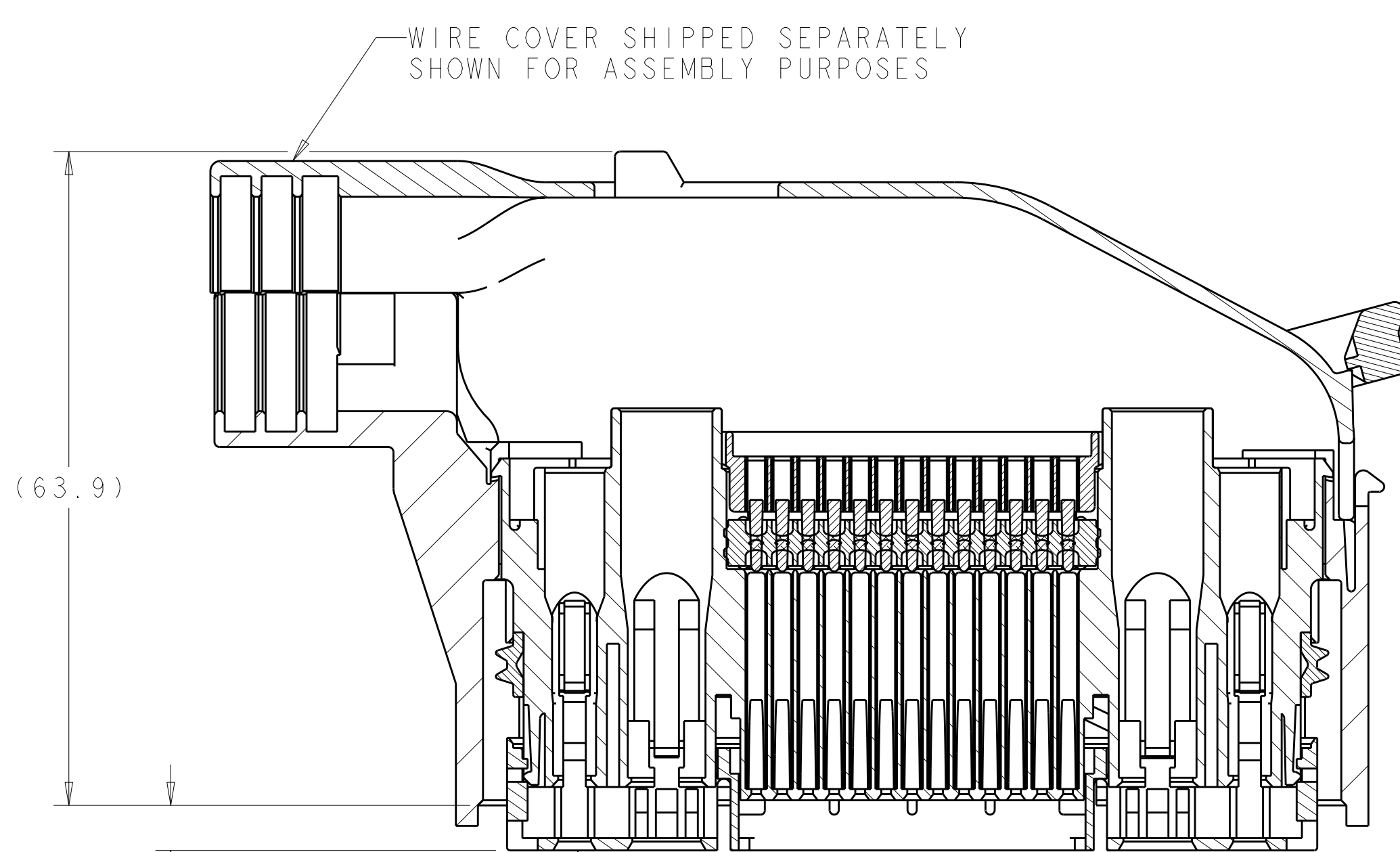
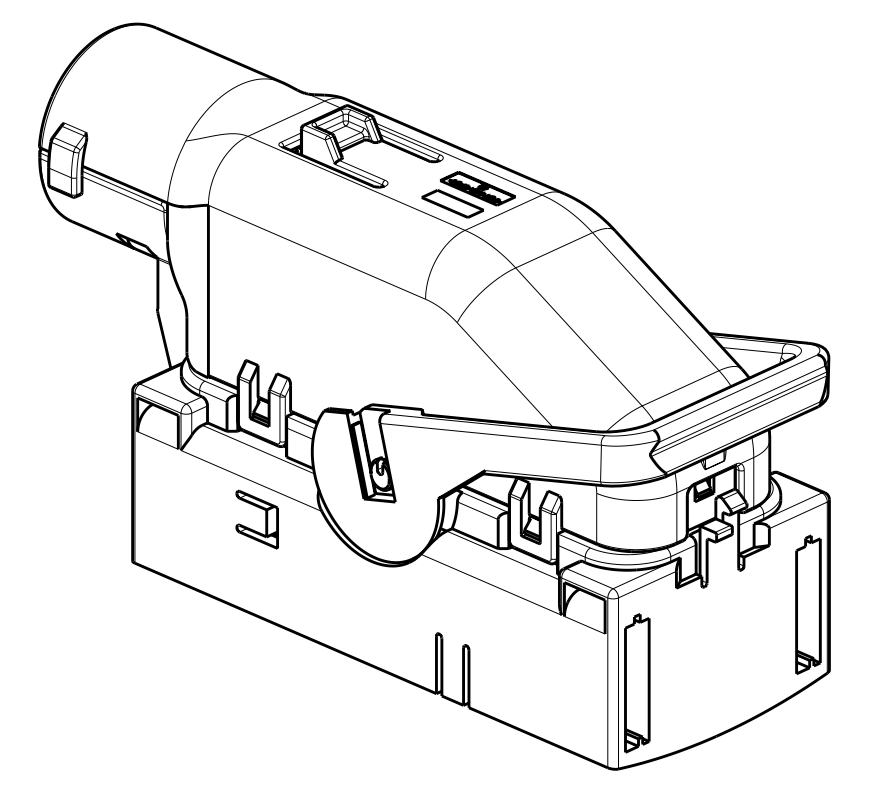


LOC	DIST	REVISIONS			
REV	LET	DESCRIPTION	DATE	DWN	APVD
K		REVISED PER ECR-06-025567	07NOV2006	AH	BDR
L		REVISED PER ECO-07-003314	18JUN2007	DLD	BDR
LI		REV PER ECR-10-016163	05AUG2010	HM	SM



- 1. P/N FOR ENGINEERING USE ONLY.
- 2. SEE MATRIX DRAWING 1326534 FOR THE ENTIRE OFFERING OF PINOUT OPTIONS.
- 3. MANUFACTURING DATE CODE TO BE LOCATED IN THIS AREA.
- 4. PART NUMBER TO BE LOCATED IN THIS AREA.
- 5. FOR MATING AND UNMATING INSTRUCTIONS REFERENCE INSTRUCTION SHEET 408-8788.



2.8mm ALWAYS OPEN	6.3mm ALWAYS OPEN	6.3mm ALWAYS OPEN	2.8mm ALWAYS OPEN	6.3mm ALWAYS OPEN	6.3mm ALWAYS OPEN	2.8mm ALWAYS OPEN	6.3mm ALWAYS OPEN																																										
0	0	3	4	5	6	7	8	9	10	11	12	13	14	15	0	18	19	20	21	22	23	24	25	26	27	28	29	0	0	32	33	34	35	36	37	38	39	40	41	42	43	44	0	0	1326341-2				
0	0														0	0																																	1326341-1
1	2	3	4	5	6	7	8	9	10	11	12	13	14	15	16	17	18	19	20	21	22	23	24	25	26	27	28	29	30	31	32	33	34	35	36	37	38	39	40	41	42	43	44	45	46	PART NUMBER			

PINOUT CONFIGURATION TABLE

BLANK CIRCUITS = OPEN CAVITIES; CIRCUITS NUMBERED "0" = ALWAYS OPEN CAVITIES
 NUMBERED CIRCUITS = BLOCK CAVITIES

DIMENSIONS: mm		TOLERANCES UNLESS OTHERWISE SPECIFIED:		DWN AJ_GRAFF 13SEP2002		Tyco Electronics Harrisburg, PA 17105-3608	
MATERIAL		FINISH		CHK JI_TONEY 13SEP2002		APVD JI_TONEY 13SEP2002	
9 PLC ±1.00		1 PLC ±0.50		NAME PLUG ASSEMBLY, 46 POSITION, LEFT HAND WIRE EXIT, WITH CHANGEABLE CORE, EBC-440		RESTRICTED TO	
5 PLC ±0.10		4 PLC ±0.05		APPLICATION SPEC		SIZE CAGE CODE DRAWING NO	
ANGLES ±0.05		±1*		WEIGHT		A 00779 C=1326341	
				CUSTOMER DRAWING		SCALE 2:1 SHEET 1 OF 1 REV	