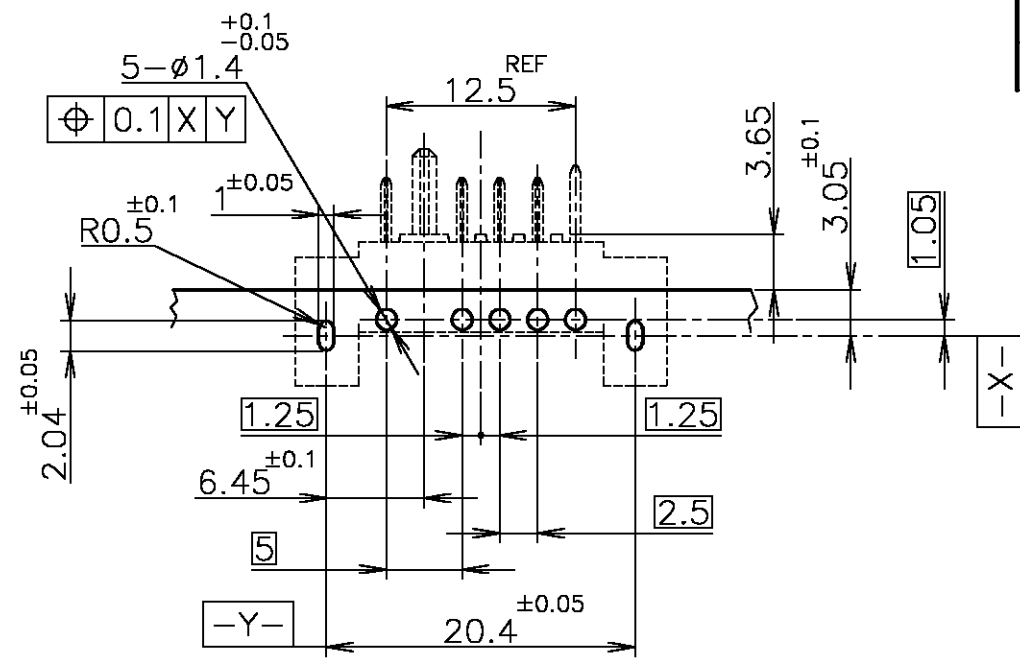
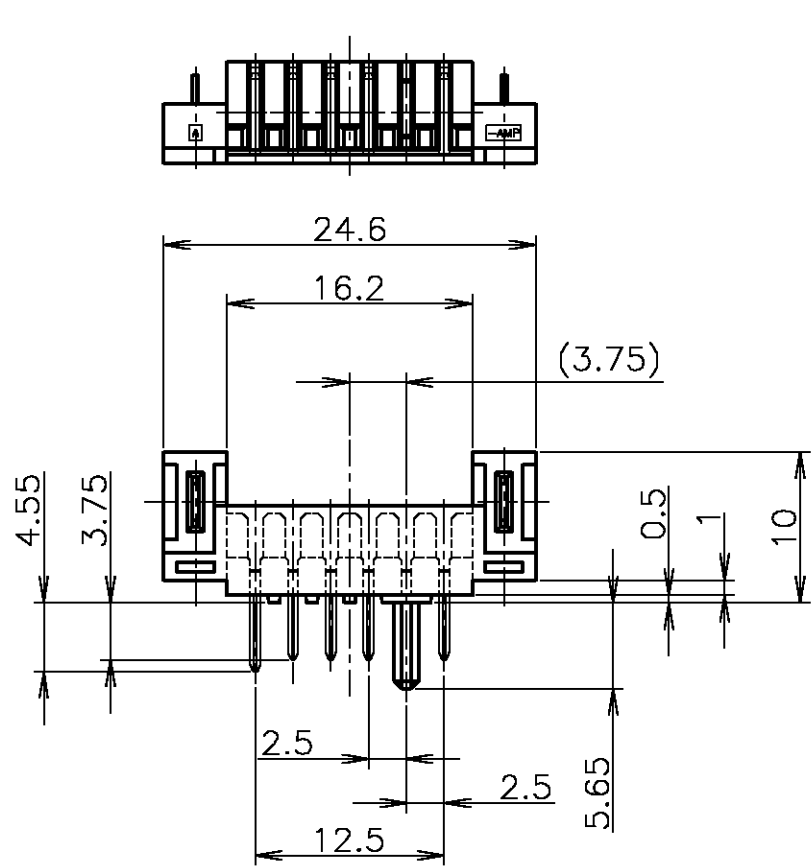


THIS DRAWING IS UNPUBLISHED. RELEASED FOR PUBLICATION JUL, 1998.
 © COPYRIGHT 1998 BY TYCO ELECTRONICS CORPORATION. ALL RIGHTS RESERVED.

LOC	DIST	REVISIONS 変更			
P	LTR	DESCRIPTION	DATE	DWN	APVD
		O RELEASED	FJ00-1154-99	02JUL99	N.S H.S
		A REVISED	FJ00-1892-02	13SEP02	M.I K.K

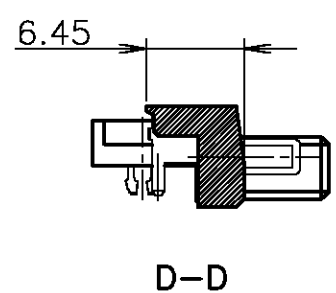
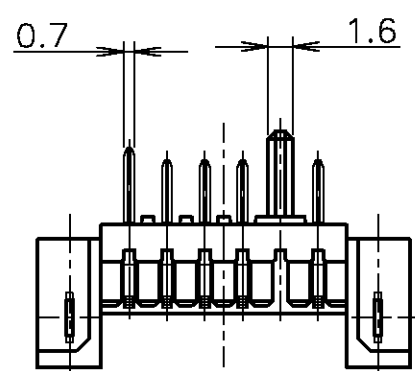
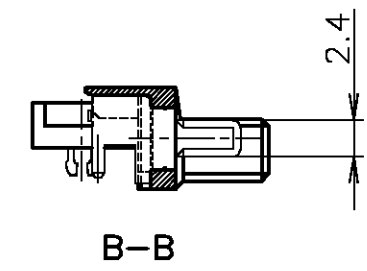
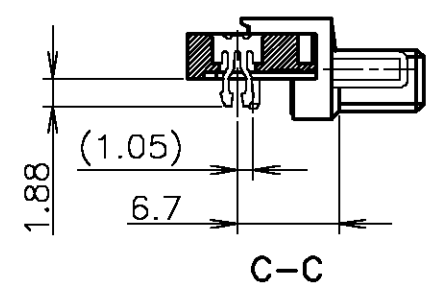
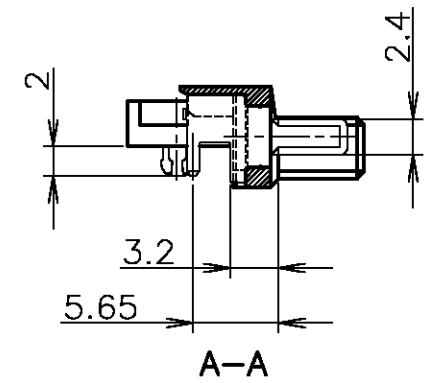
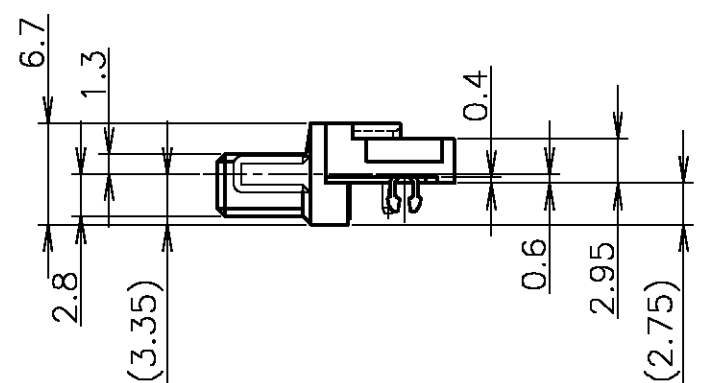
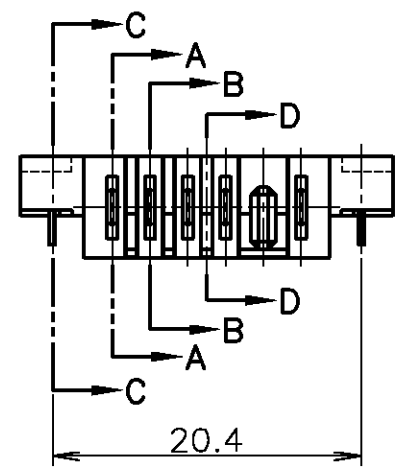


基板取付推奨寸法
 RECOMMENDED P.C. BOARD LAYOUT
 P.C. BOARD THK 0.8~1.2
 (VIEW FROM CONNECTOR MOUNTING SIDE)

1-1318792-1	FOR AUTO CHIP MOUNTER
1318792-1	NORMAL
PART NUMBER	TRAY TYPE

- △ 材料 ハウジング：熱可塑性樹脂 UL94V-0
色：黒
- △ コンタクト：銅合金
- △ リテンションレグ：銅合金
- △ 仕上げ コンタクト：Ni 下地メッキ
接触部 Pd-Niメッキ
接触部 Au フラッシュメッキ
半田付け部 Sn-Pbメッキ
- △ リテンションレグ：Sn-Pbメッキ

- △ MATERIAL HOUSING : THERMOPLASTIC RESIN, UL94V-0
COLOR ; BLACK
- △ CONTACT : COPPER ALLOY
- △ RETENTION LEG : COPPER ALLOY
- △ FINISH CONTACT : Ni ALL OVER UNDER PL
Pd-Ni PL. AT CONTACT AREA
Au FLASH PL. AT CONTACT AREA
TIN-LEAD PL. AT LEAD AREA
- △ RETENTION LEG : TIN-LEAD PL.



THIS DRAWING IS A CONTROLLED DOCUMENT.		DWN N.SASAME 02JUL99	tyco Tyco Electronics AMP K.K.	
		CHK H.SHIRAI 02JUL99	Electronics Kawasaki, Japan	
		APVD H.SHIRAI 02JUL99	NAME 名称 PLUG ASSEMBLY	
DIMENSIONS: 単位： 概 MM		PRODUCT SPEC 製品規格 108-5599	2.5mm PITCH BATTERY CONNECTOR	
TOLERANCES UNLESS OTHERWISE SPECIFIED: 一般公差		APPLICATION SPEC 取付適用規格	5POS. OFF SET TYPE (T2)	
0 PLC ± 0.2		WEIGHT	SIZE A3	RESTRICTED TO
1 PLC ± 0.2			CAGE CODE 00779	
2 PLC ± 0.2			DRAWING NO 番号 C-1318792	
3 PLC ± 0.2			SCALE 尺度 2:1	
4 PLC ± 0.2			SHEET 1 OF 1	
ANGLES ± 0.3			REV A	
MATERIAL 材料	FINISH 仕上	CUSTOMER DRAWING		