

THIS DRAWING IS UNPUBLISHED.

RELEASED FOR PUBLICATION

20

© COPYRIGHT 20

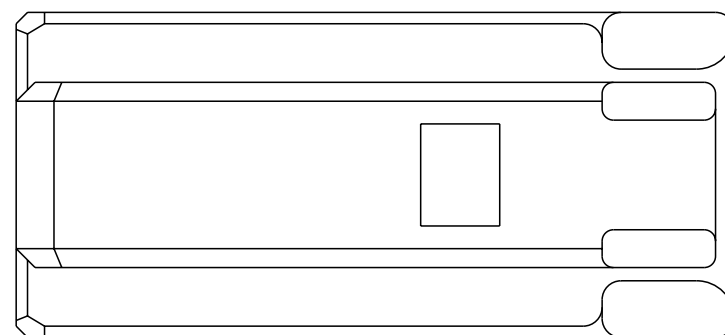
ALL RIGHTS RESERVED.

LOC
J

DIST
-

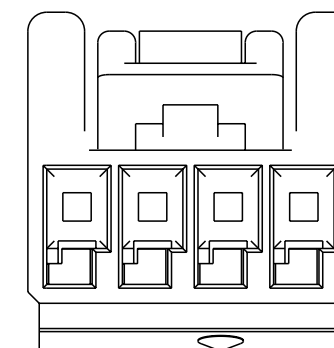
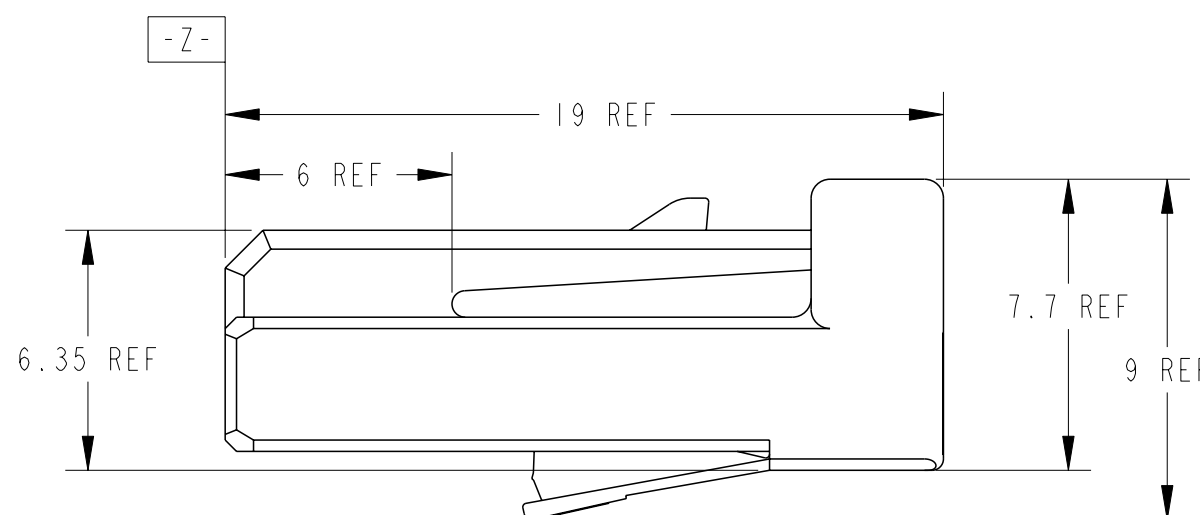
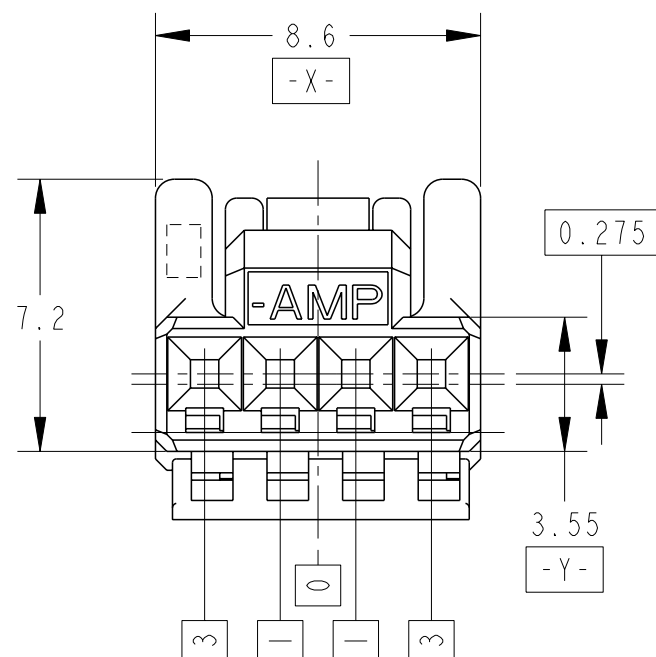
REVISIONS

P	LTR	DESCRIPTION	ECN	DATE	DWN	APVD
	A2	ADDED -3	ECR-15-017009	20NOV2015	TS	HY
	A3	ADDED -4	ECR-22-133697	24MAR2022	AY	KK




1. INSTRUCTION SHEET ; 411-5933
2. DOUBLE LOCK SHOULD BE SET TO THE PRE-ASSEMBLY POSITION WITHIN THE PLUG HOUSING WHEN SHIPPED TO THE CUSTOMER.
3. APPLICABLE CAP HOUSING PN:1376515-1

1. 取扱説明書：411-5933
2. ダブルロックは、仮係止状態で出荷される。
3. 嵌合相手型番：1376515-1



GRAY	1318620-4
NATURAL	1318620-3
BLACK	1318620-2
BLUE	1318620-1
COLOR	PART NUMBER

THIS DRAWING IS A CONTROLLED DOCUMENT.		DWN N. YASUDA	02SEP99	 TE Connectivity	
DIMENSIONS: 単位: 耗 mm		CHK N. SAI	02SEP99		
TOLERANCES UNLESS OTHERWISE SPECIFIED: 一般公差 = ± 0.2		APVD N. SAI	02SEP99	NAME 名称 025 4P PLUG HOUSING, ANCHOR HEIGHT SENSOR	
0-PLC ±		PRODUCT SPEC	108-5675	SIZE	
1-PLC ±0.1		APPLICATION SPEC	114-5250	CAGE CODE	00779
2-PLC ±0.01		取付適用規格		DRAWING NO	G-1318620
3-PLC ±0.001		WEIGHT	0.65 g	RESTRICTED TO	-
4-PLC ±0.0001		CUSTOMER DRAWING		SCALE	5:1
ANGLES ±3'00"		MATERIAL 材料 PBT		SHEET	1 OF 1
FINISH 仕上 BLACK		REV		A3	

printed on 24 Mar 2022 16:21 (from FJ024691

A