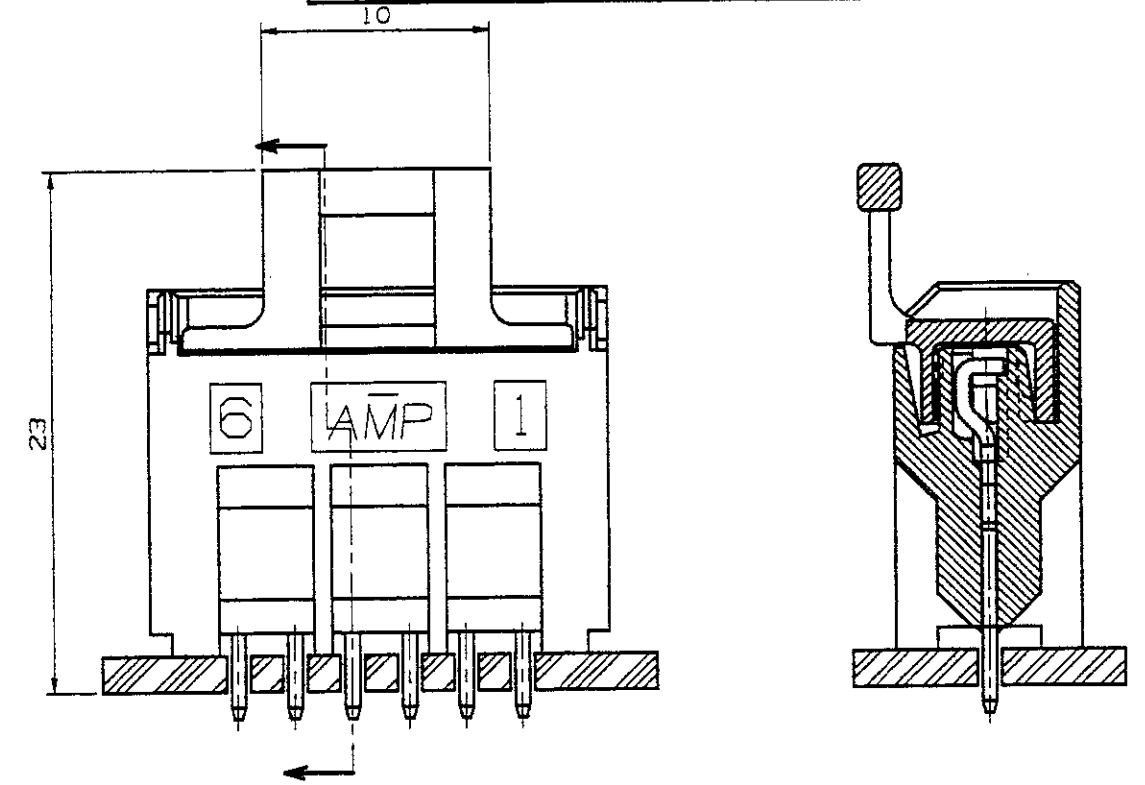
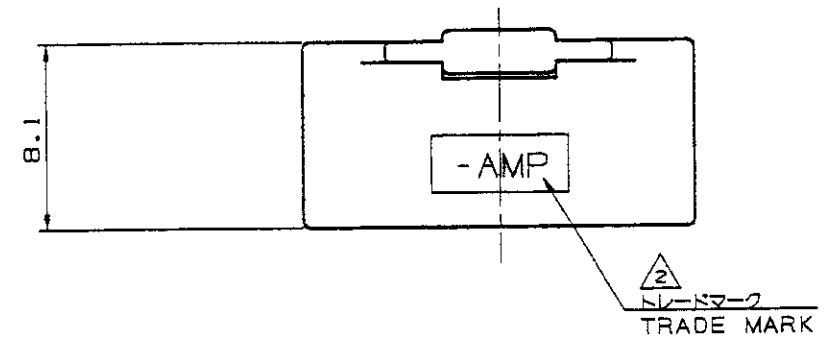


THIS DRAWING IS UNPUBLISHED. RELEASED FOR PUBLICATION .19 .
 © COPYRIGHT 19 BY AMP INCORPORATED. ALL RIGHTS RESERVED.

REVISIONS

P	LTR	DESCRIPTION	ECN	DATE	DWN	APVD
0		RELEASED 作成	FJ00-0352-99	20 JUN. '99	A.O	Y.K
A		REVISED 改訂	FJ00-0352-99	7 JUL. '99	A.O	Y.K
B		REVISED 改訂	FJ00-1470-99	13 SEP. '99	A.O	Y.K
C		REVISED 改訂	FJ00-1667-99	13 SEP. '99	A.O	Y.K



ダストカバー取付状態図

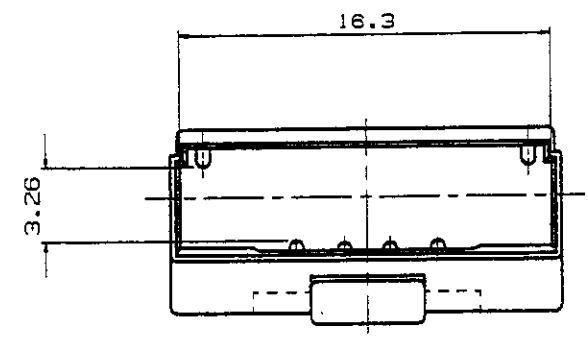
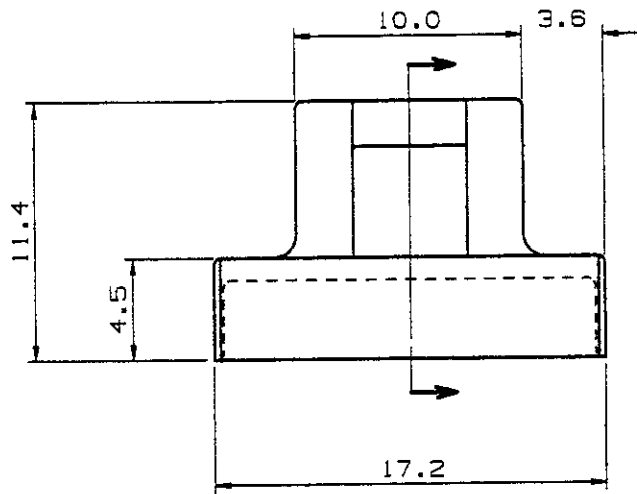
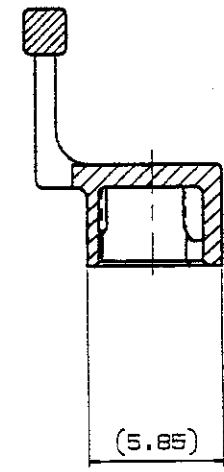


TABLE 1

トレードマーク TRADE MARK	生産場所 MANUFACTURING PLACE
-AMP 又は - OR AMP	日本 JAPAN
---AMP 又は --- OR AMP	中国 CHINA

66ナイロン ガラス強化(UL94V-0) 66 NYLON GLASS FILLED	NATURAL	1318376-1
MATERIAL	COLOR	PART NO.

注記) 1. 本ダストカバーが取付可能なコネクタ
 垂直ヘッダー: 1318368-1
 ラジアル垂直ヘッダー: 1318369-1
 中継ヘッダー: 1318370-1
 水平ヘッダー: 1318372-1

NOTE) 1. APPLICABLE CONNECTOR
 V HEADER ;1318368-1
 RADIAL V HEADER ;1318369-1
 RELAY HEADER ;1318370-1
 H HEADER ;1318372-1

TABLE 1参照

SEE TABLE 1

THIS DRAWING IS A CONTROLLED DOCUMENT FOR AMP INCORPORATED. IT IS SUBJECT TO CHANGE AND THE CONTROLLING ENGINEERING ORGANIZATION SHOULD BE CONTACTED FOR THE LATEST REVISION.		DWN A. OISHI 7 JUL. '99 CHK Y. KASHIWA 7 JUL. '99 APVD Y. KASHIWA 7 JUL. '99	WIRE RANGE // INSULATION DIA //
DIMENSIONS: 単位 mm 	TOLERANCES UNLESS OTHERWISE SPECIFIED -公差 10 ±0.2 30 ±0.25 100 ±0.3 ANGLE ±0.3°	AMP Kawasaki, Japan	NAME Y. KASHIWA PRODUCT SPEC 108-5626 APPLICATION SPEC // WEIGHT //
MATERIAL SEE TABLE	FINISH //	SIZE A3 CAGE CODE 00779 DRAWING NO C= 1318376	RESTRICTED TO - SCALE 3:1 SHEET 1 OF 1 REV C
CUSTOMER DRAWING		参考図面	