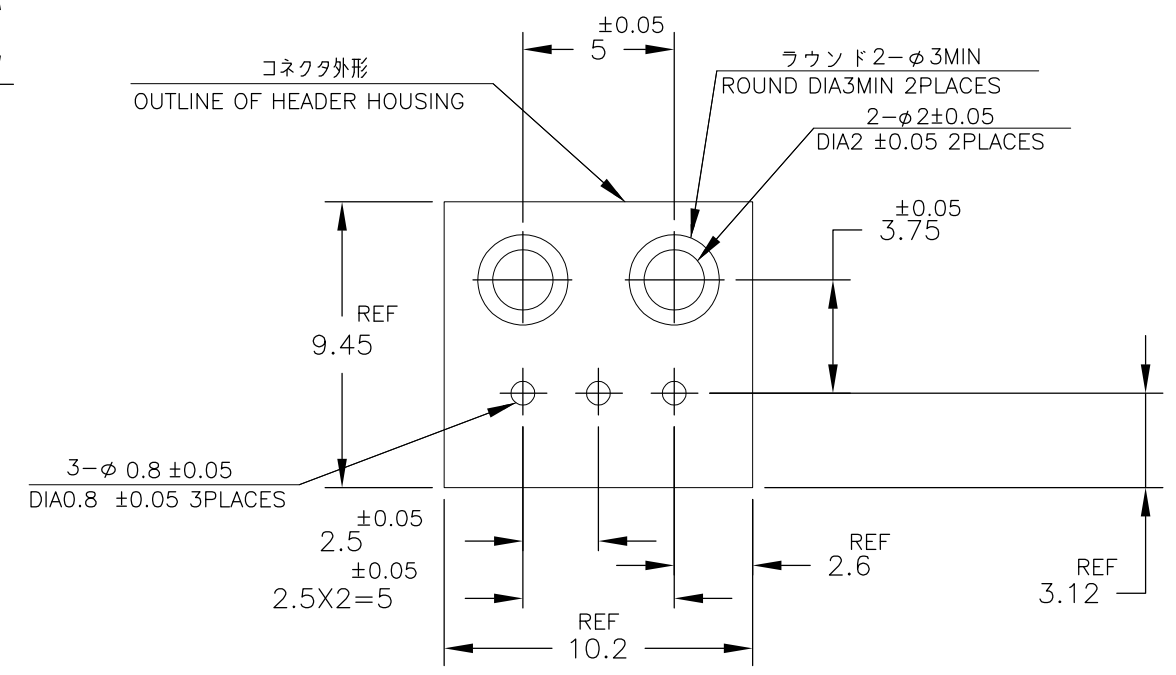
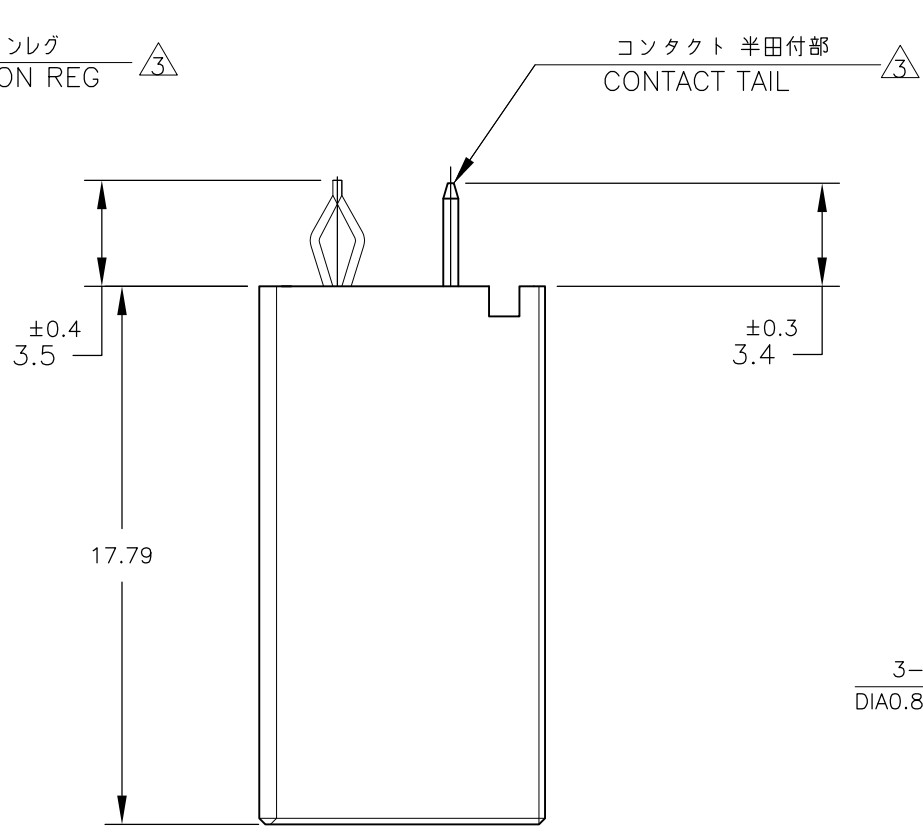
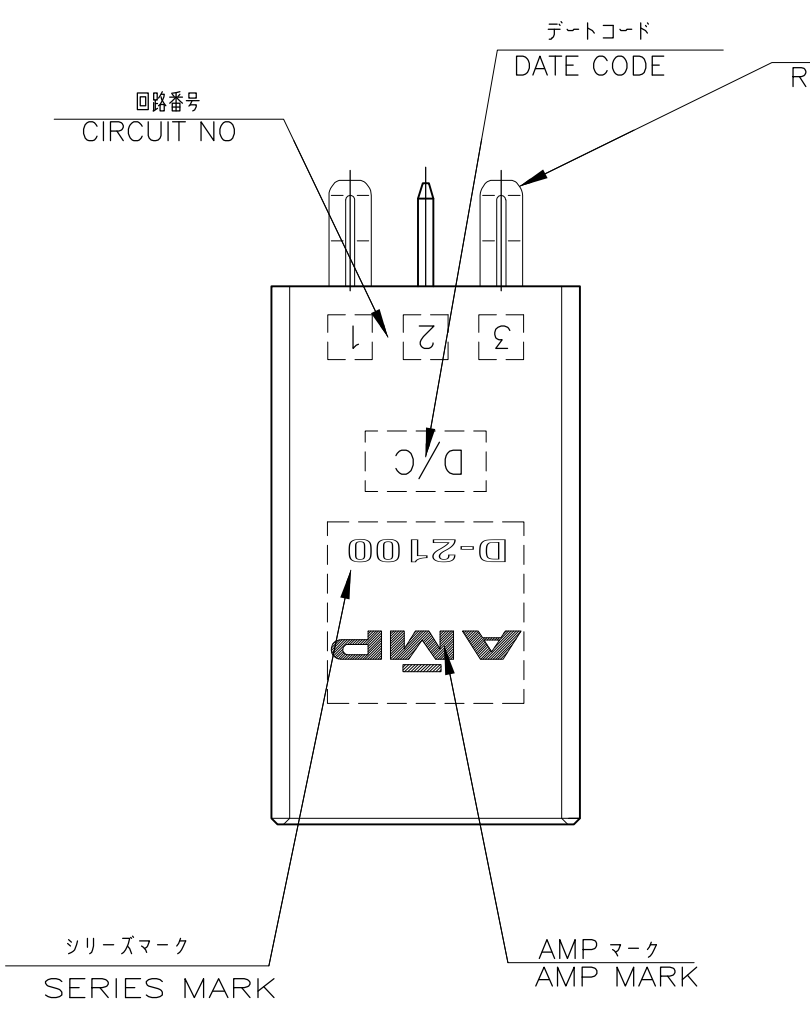


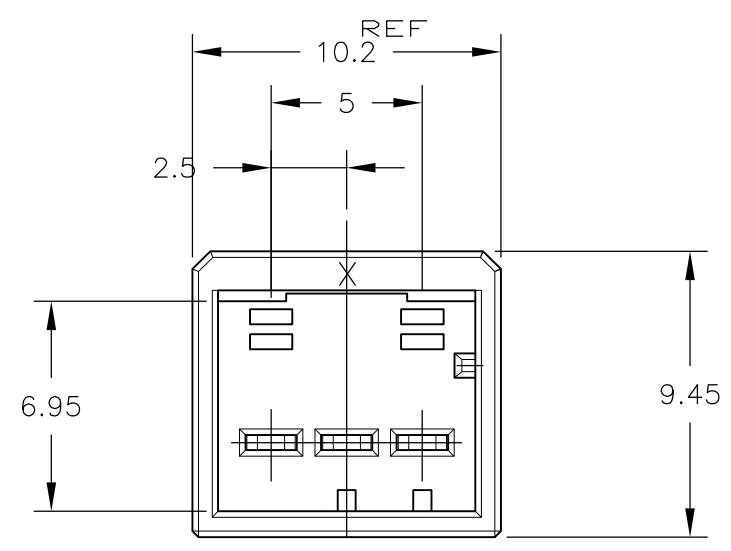
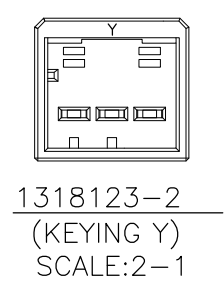
THIS DRAWING IS UNPUBLISHED. RELEASED FOR PUBLICATION
 © COPYRIGHT 2012 By Tyco Electronics Japan G.K. ALL RIGHTS RESERVED.

LOC	DIST	REVISIONS					
J	—	P	LTR	DESCRIPTION	DATE	DWN	APVD
		C		REVISED	11MAY2012	H.M	N.Y



推奨基板取付け穴寸法 (公差: ±0.05)
 PC 基板厚: 1.6 ±0.3 (コネクタ搭載面)

RECOMENDED PC BOARD HOLE PATTERN (TOLERANCE :±0.05)
 PC BOARD THICKNESS:1.6±0.3 (CONNECTOR MOUNT SIDE)



1318123-1 (KEYING X)

NOTES

- MATERIAL:HOUSING:GLASS FILED THERMO PLASTIC POLYESTER(94V-0)
 TAB CONTACT:COPPER ALLOY
 RETENTION LEG:BRASS
- △ FINISH(CONTACT AREA):0.38μmMIN GOLD PLATING OVER Ni PLATING
- △ FINISH(RETENTION LEG): TIN PLATED (CONTACT TAIL) OVER NICKEL

注記

- 材料:ハウジング:ガラス入り熱可塑性ポリエステル樹脂 (94V-0)
 タブ コンタクト:銅合金
 リテンション レグ:黄銅
- めっき:コンタクト:全面Ni下地
 接触部:0.38μmMIN金めっき
- めっき:リテンションレグとコンタクト半田付部:ニッケル下地の上にスズめっき

Y	NATURAL	9-1318123-2
Y	BLACK	1318123-2
X	BLACK	1318123-1
KEY	COLOR	PART No.

THIS DRAWING IS A CONTROLLED DOCUMENT.		DWN K.IKEDA 07DEC1998	TE Connectivity		
DIMENSIONS: mm		CHK N.MATSUBARA 07DEC2012			
TOLERANCES UNLESS OTHERWISE SPECIFIED:		APVD I.HASEGAWA 07DEC2012	NAME SINGLE ROW HEADER ASSY 3P V-TYPE DYNAMIC D-2100D		
0 PLC ± 10 ± 0.3 1 PLC ± 30 ± 0.35 2 PLC ± 100 ± 0.4 3 PLC ± 4 PLC ± ANGLES ± 3°		PRODUCT SPEC 108-5619	DRAWING NO C-1318123		
MATERIAL SEE NOTE		APPLICATION SPEC 114-5258	SIZE A3	CAGE CODE 00779	RESTRICTED TO —
FINISH SEE NOTE		WEIGHT	SCALE 4:1		
CUSTOMER DRAWING			SHEET 1 OF 2		
			REV C		

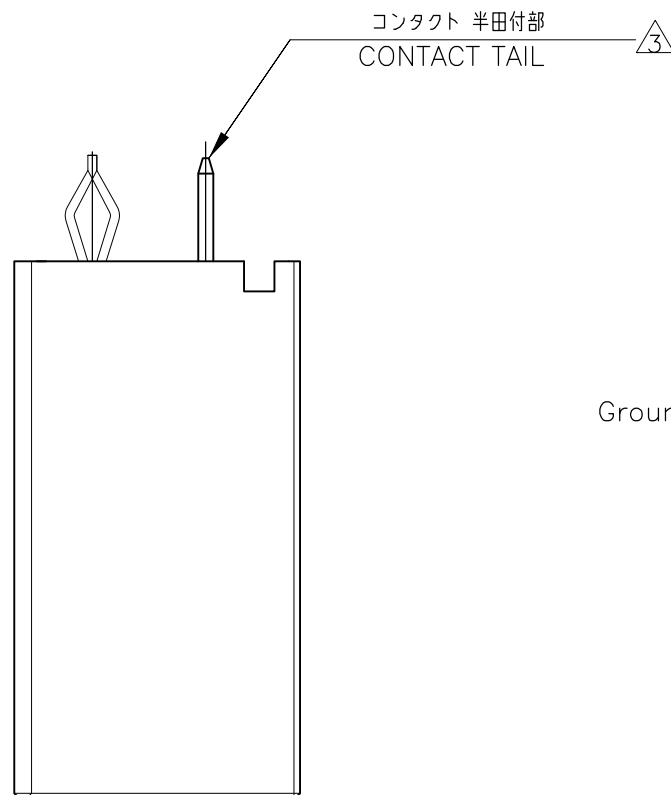
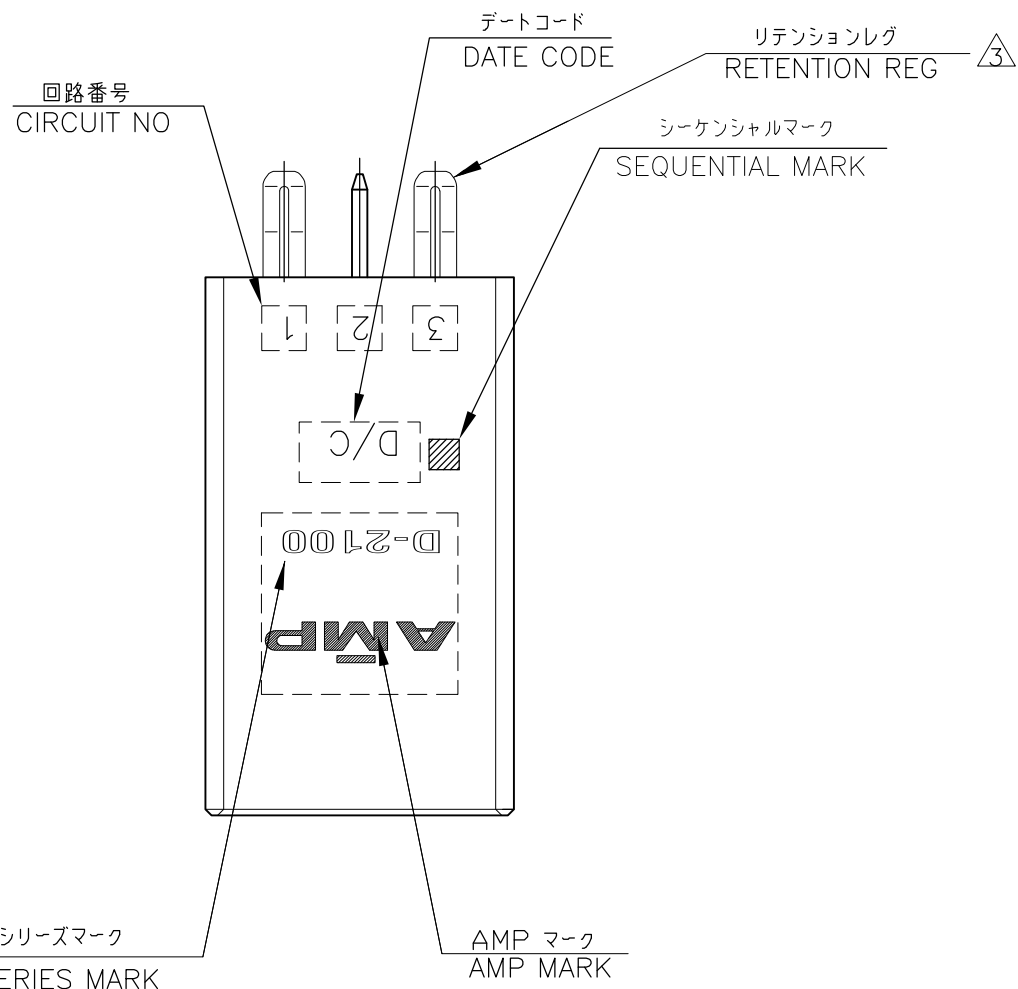
THIS DRAWING IS UNPUBLISHED.

RELEASED FOR PUBLICATION

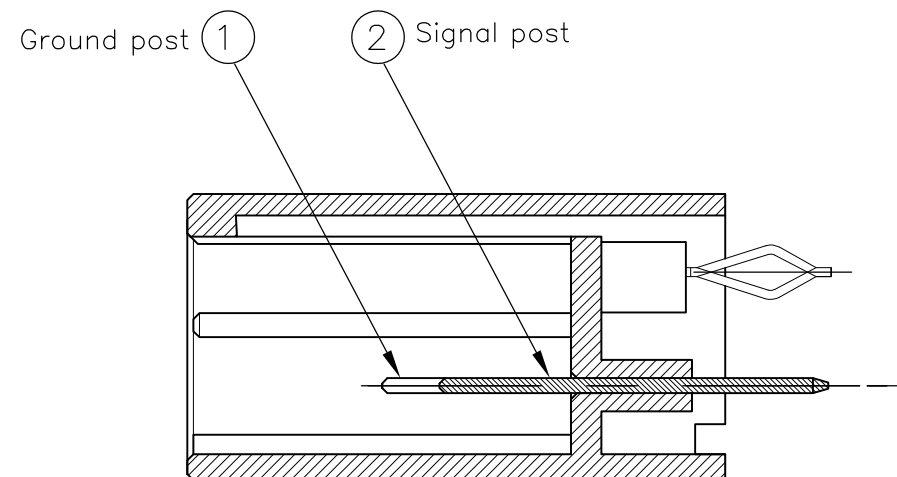
© COPYRIGHT 2012 By Tyco Electronics Japan G.K.

ALL RIGHTS RESERVED.

LOC	DIST	REVISIONS					
J	—	P	LTR	DESCRIPTION	DATE	DWN	APVD
		—		SEE SHEET 1	—	—	—

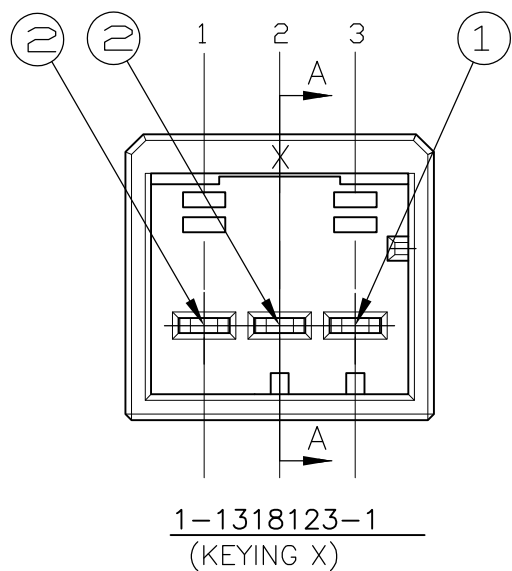


1-1318123-1;AS SHOWN SEQUENTIAL TYPE



	回路番号		
	1	2	3
1列	② Signal	② Signal	① Ground

POINT OF SEQUENTIAL
1-1318123-1
(KEYING X)



NOTES

- 1. MATERIAL:HOUSING:GLASS FILED THERMO PLASTIC POLYESTER(94V-0)
TAB CONTACT:COPPER ALLOY
RETENTION LEG:BRASS
- △ FINISH(CONTACT AREA):0.38μmMIN GOLD PLATING OVER Ni PLATING
- △ FINISH(RETENTION LEG): TIN PLATED (CONTACT TAIL) OVER NICKEL

注記

- 1. 材料:ハウジング:ガラス入り熱可塑性ポリエステル樹脂 (94V-0)
タブ コンタクト:銅合金
リテンション レグ:黄銅
- △ めっき:コンタクト:全面Ni下地
接触部:0.38μm MIN金めっき
- △ めっき:リテンションレグとコンタクト半田付部
:ニッケル下地の上にスズめっき

X	BLACK	1-1318123-1
KEY	COLOR	PART No.

THIS DRAWING IS A CONTROLLED DOCUMENT.		DWN K.IKEDA 07DEC1998	TE Connectivity																										
DIMENSIONS: mm		CHK N.MATSUBARA 07DEC2012																											
TOLERANCES UNLESS OTHERWISE SPECIFIED:		APVD I.HASEGAWA 07DEC2012	NAME SINGLE ROW HEADER ASSY 3P V-TYPE DYNAMIC D-2100D																										
<table border="0"> <tr><td>0 PLC</td><td>±</td><td>10₂</td><td>±0.3</td></tr> <tr><td>1 PLC</td><td>±</td><td>30₂ > 10</td><td>±0.35</td></tr> <tr><td>2 PLC</td><td>±</td><td>100₂ > 30</td><td>±0.4</td></tr> <tr><td>3 PLC</td><td>±</td><td></td><td></td></tr> <tr><td>4 PLC</td><td>±</td><td></td><td></td></tr> <tr><td>ANGLES</td><td></td><td></td><td>±3°</td></tr> </table>		0 PLC	±	10 ₂	±0.3	1 PLC	±	30 ₂ > 10	±0.35	2 PLC	±	100 ₂ > 30	±0.4	3 PLC	±			4 PLC	±			ANGLES			±3°	PRODUCT SPEC 108-5619	RESTRICTED TO		
0 PLC	±	10 ₂	±0.3																										
1 PLC	±	30 ₂ > 10	±0.35																										
2 PLC	±	100 ₂ > 30	±0.4																										
3 PLC	±																												
4 PLC	±																												
ANGLES			±3°																										
MATERIAL SEE NOTE		FINISH SEE NOTE	APPLICATION SPEC 114-5258	SIZE A3	CAGE CODE 00779	DRAWING NO C-1318123																							
CUSTOMER DRAWING			WEIGHT	SCALE 4:1	SHEET 2 OF 2	REV C																							