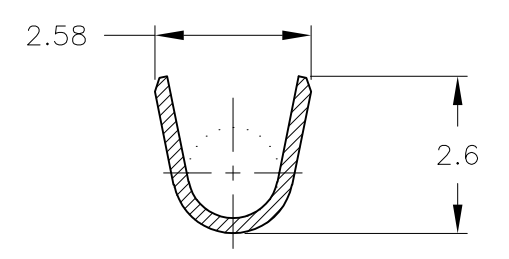


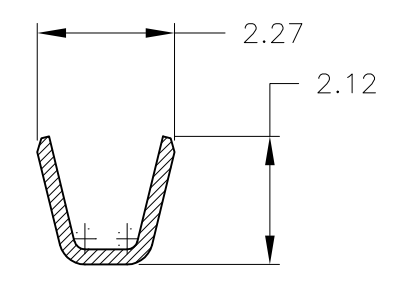
THIS DRAWING IS UNPUBLISHED. RELEASED FOR PUBLICATION LOC DIST REVISIONS

© COPYRIGHT - By - ALL RIGHTS RESERVED. P LTR DESCRIPTION DATE DWN APVD

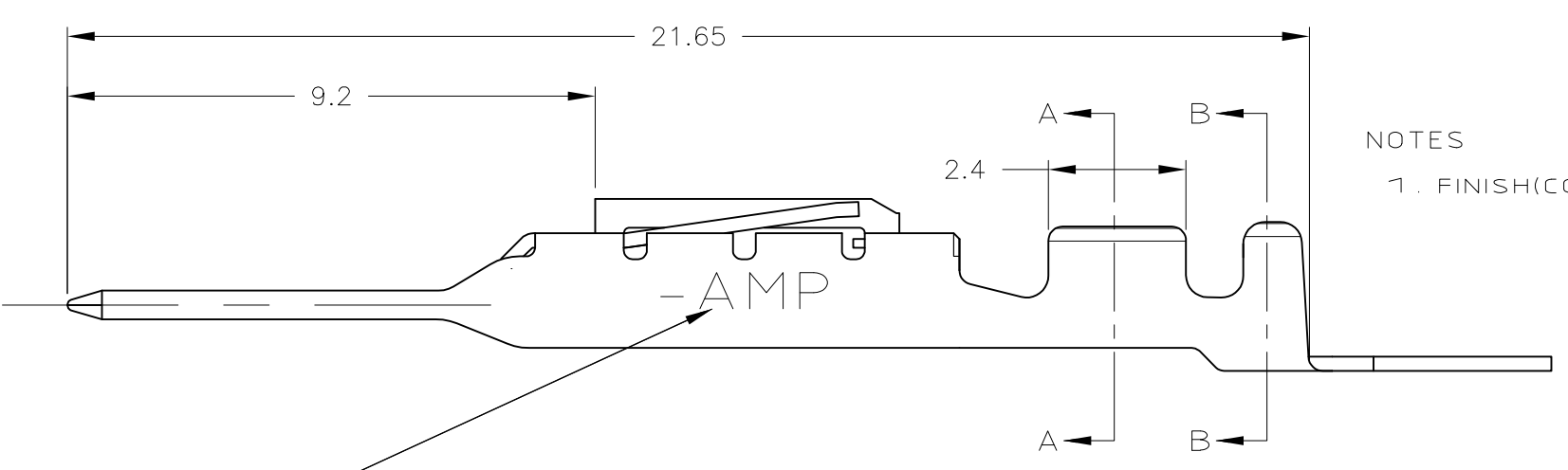
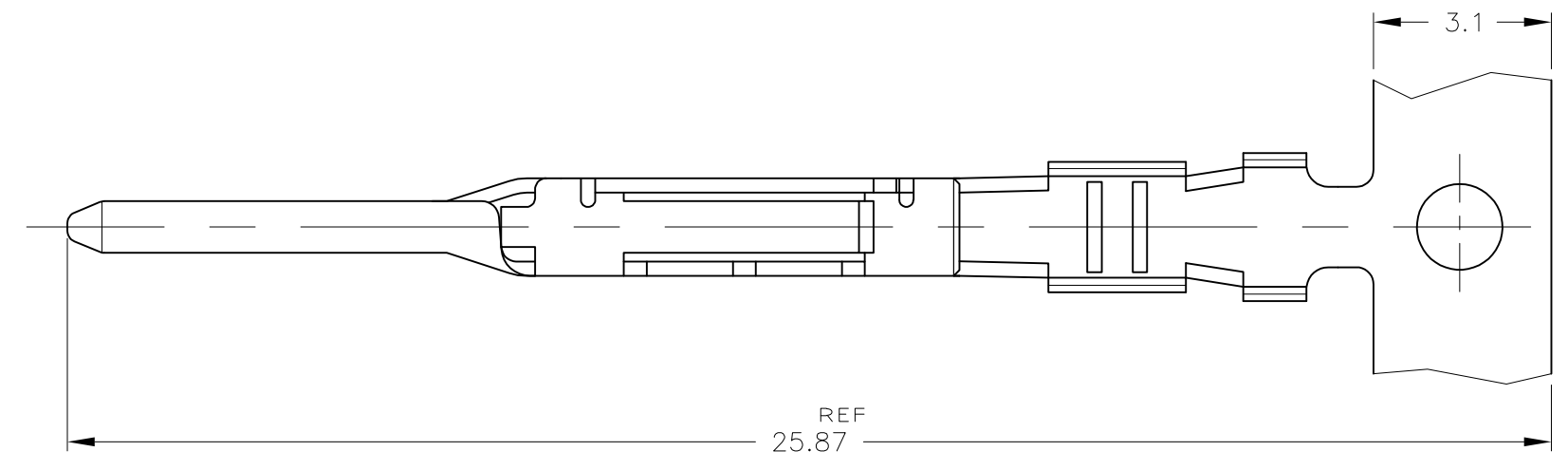
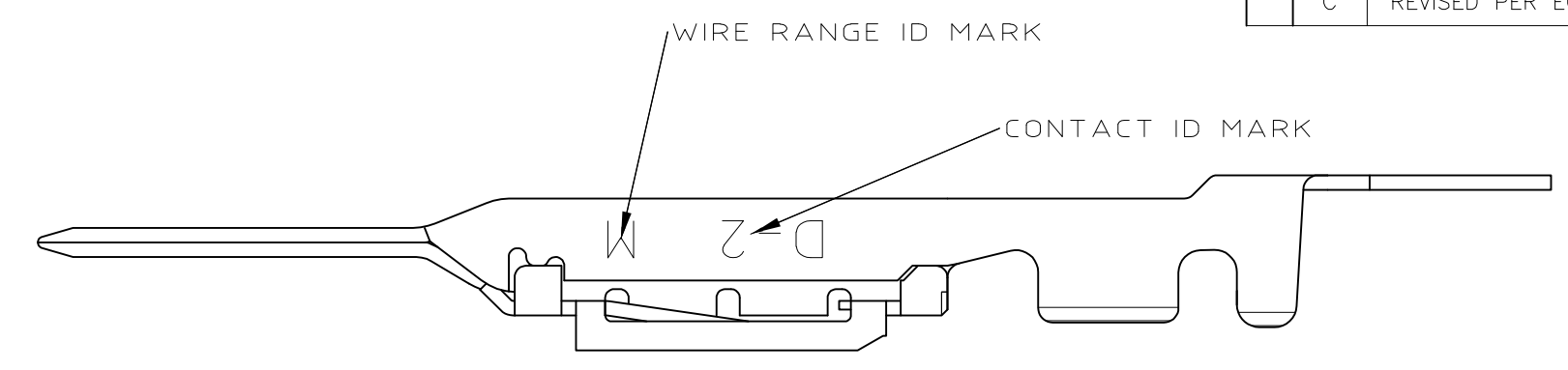
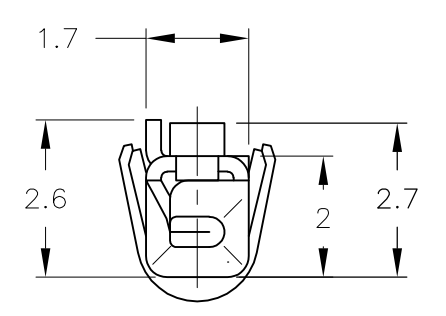
| P | LTR | DESCRIPTION | DATE | DWN | APVD |
|---|-----|---------------------------|-----------|-----|------|
| | C | REVISED PER ECR-16-016514 | 23NOV2016 | K.T | E.T |



SECT B-B



SECT A-A



NOTES
 1. FINISH (CONTACT AREA): 0.38 μm MIN GOLD PLATING OVER Ni PLATING

-1:AS SHOWN

| | | |
|---|--|---------------------------------|
| THIS DRAWING IS A CONTROLLED DOCUMENT. | | DWN K.IKEDA 7/DEC/'98 |
| DIMENSIONS: mm | | CHK N.MATSUBARA 7/DEC/'98 |
| TOLERANCES UNLESS OTHERWISE SPECIFIED: 10 > : ±0.3 >10 : ±0.35 >30 : ±0.4 ANGLE : ±3° | | APVD I.HASEGAWA 7/DEC/'98 |
| MATERIAL (COPPER ALLOY) | | PRODUCT SPEC 108-5619 |
| FINISH SEE NOTE | | APPLICATION SPEC 114-5258 |
| | | WEIGHT 0 |
| CUSTOMER DRAWING | | |

| | | | |
|--|--------------------|-----------------------------|----------|
| WIRE RANGE AWG #22~#18 | | INSULATION DIA 1.26~1.90 | |
| STE TE Connectivity | | | |
| NAME TAB CONTACT M SIZE DYNAMIC D-2 SERIES | | RESTRICTED TO - | |
| SIZE A3 | CAGE CODE 00779 | DRAWING NO C-1318109 | |
| SCALE 8:1 | | SHEET 1 OF 1 | REV C |