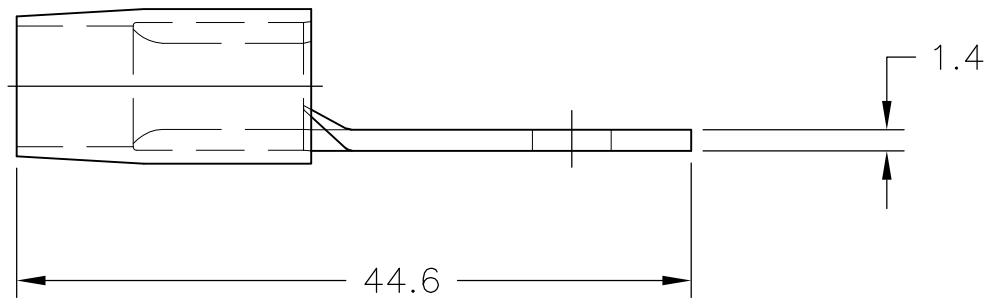
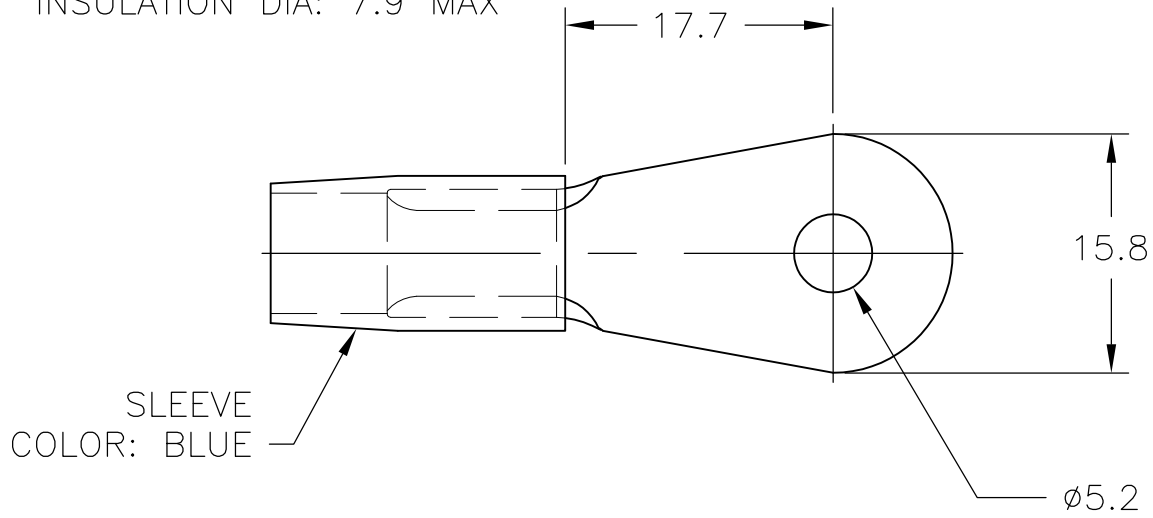


LOC	DIST	REVISIONS					
F	7	P	LTR	DESCRIPTION	DATE	DWN	APVD
			A1	REDRAWN PER ECR-09-004940	06MAR09	HMR	JR

- 1 MATERIAL AND FINISH
BODY: COPPER TIN PLATED
SLEEVE: NYLON-BLUE.
- 2 WIRE SIZE: 6 AWG.
- 3 INSULATION DIA: 7.9 MAX



THIS DRAWING IS UNPUBLISHED. ALL INTERNATIONAL RIGHTS RESERVED. BY TYCO ELECTRONICS CORPORATION.

DIMENSIONS: mm TOLERANCES UNLESS OTHERWISE SPECIFIED: 0 PLC ± - 1 PLC ± - 2 PLC ± 0.3 3 PLC ± - 4 PLC ± - ANGLES ± 5°	DWN RAGHAVENDRA 06MAR09	MATERIAL	FINISH	
	CHK JEFF RUTH 06MAR09	Tyco Electronics Corporation Harrisburg, PA 17105-3608		
	APVD TOM MICHIELUTTI 06MAR09	NAME COSSE ROUND		
	PRODUCT SPEC	SIZE	CAGE CODE	DRAWING NO
	APPLICATION SPEC	A4	00779	C-130683
	WEIGHT	CUSTOMER DRAWING		RESTRICTED TO
		SCALE	SHEET	REV
		2:1	1 OF 1	A1