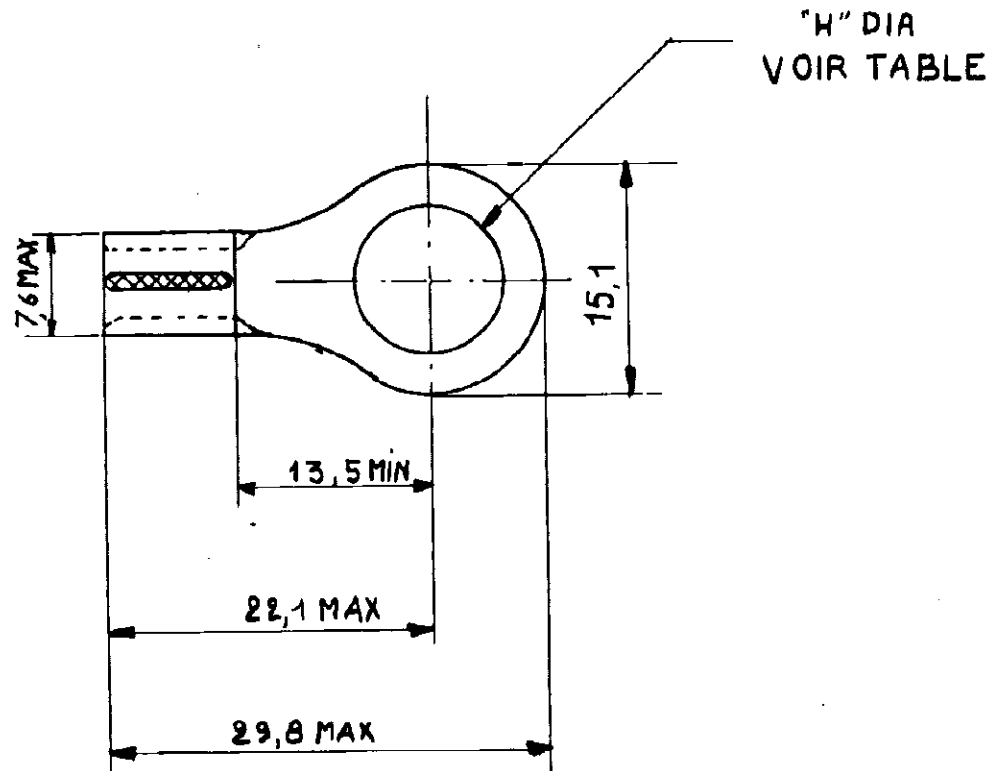


NUMBER  
C 130546-48

DIMENSIONS IN mm — DO NOT SCALE PRINT

| REVISIONS |     |                           |           |       |
|-----------|-----|---------------------------|-----------|-------|
| P         | LTR | DESCRIPTION               | DATE      | APVD  |
| A         |     | REVISED PER ECO-17-008806 | 16JAN2018 | RS DR |



EPAISSEUR: 1,2

|             |         |
|-------------|---------|
| 35247       | 6,7     |
| 321164      | 5       |
| N° ASSEMBL. | "H" DIA |

|  |                            |                       |             |            |                    |             |
|--|----------------------------|-----------------------|-------------|------------|--------------------|-------------|
| <p><b>CUSTOMER PRINT<br/>FOR REFERENCE ONLY</b></p> <p>©1959 BY AMP INCORPORATED. ALL RIGHTS RESERVED. AMP PRODUCTS COVERED BY PATENTS AND/OR PATENTS PENDING.</p> | -9 -8 -7 -6 -5 -4 -3 -2 -1 | DWG<br>SIZE           | NUMBER      | NAME       | REMARKS            | ITEM<br>NO. |
|  | REQUIRED PER ASSEMBLY      | MATERIAL              | HEAT TREAT  | FINISH     |                    |             |
|  |                            | CUIVRE                | RECUIT      | ETAME      |                    |             |
|  |                            | DR. MASSIEUX 17.10.63 | DATE APP.   | DATE REL   | DATE               |             |
|  | CHK.                       | DATE APP.             | DATE        | FIRST USED |                    |             |
|  | TE Connectivity            | TYPE                  | PRINT DIST  | LOC        | SIZE               | NUMBER      |
|  | SCALE                      | WIRE SIZE             | CMA         | NAME       | A                  | C 130546-48 |
|  | DESCRIPTION                | 2 - 1                 | 8 (SHIP 14) | MAX MIN.   | COSSE APLAGE RONDE |             |
|  |                            |                       |             |            | REV                | A           |