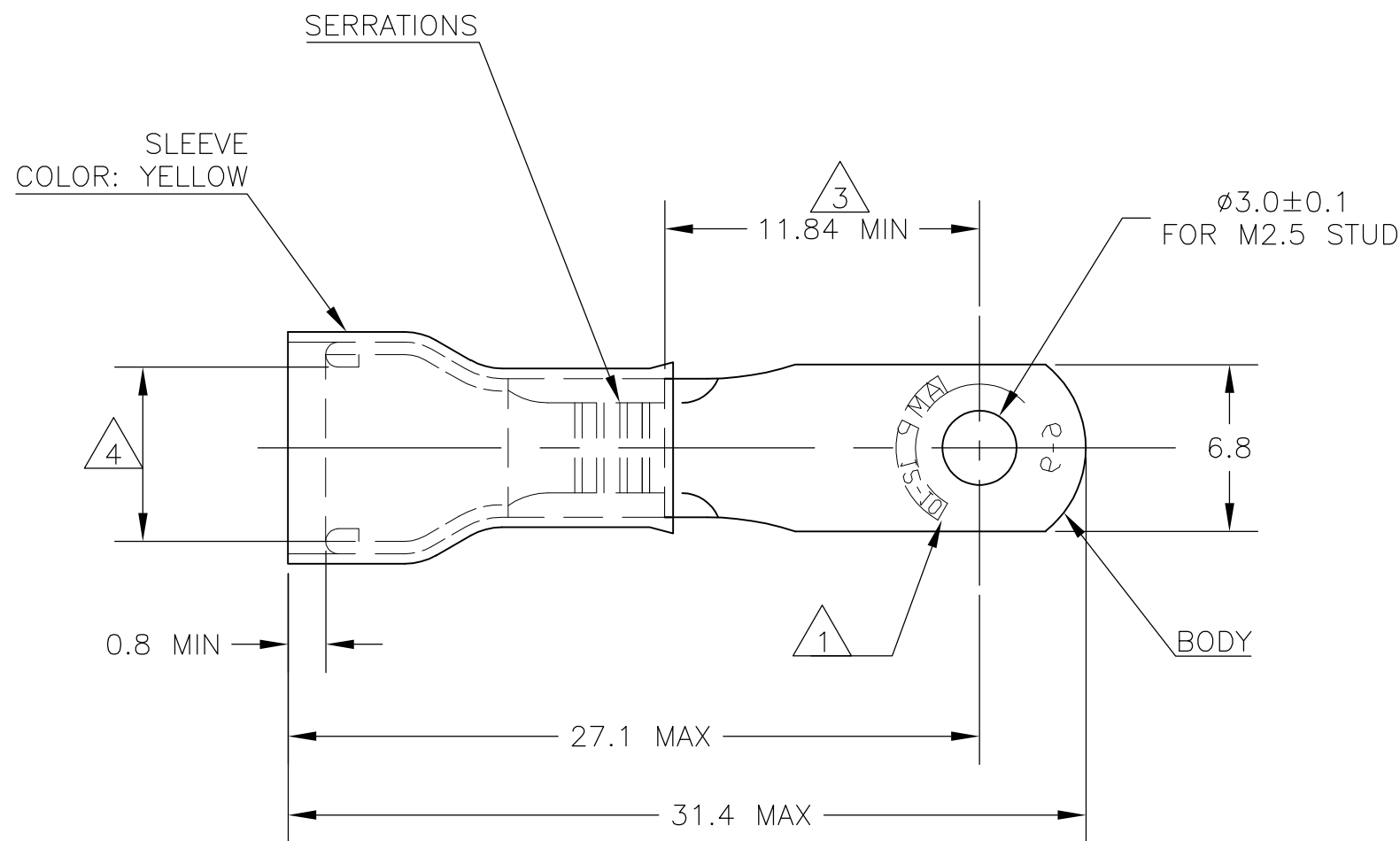


THIS DRAWING IS UNPUBLISHED. RELEASED FOR PUBLICATION
 © COPYRIGHT - By - ALL RIGHTS RESERVED.

LOC	DIST	REVISIONS			
P	LTR	DESCRIPTION	DATE	DWN	APVD
G	14	C2	REVISED PER ECO-14-012226	11AUG2014	NK DR



- 1 STAMP "AMP 12-10*", LOCATION APPROX AS SHOWN.
- 2 TONGUE THICKNESS IS 1.0±0.05.
- 3 APPLIES TO EDGE OF METAL WIRE BARREL TO CENTER OF STUD HOLE.
- 4 WIRE INSULATION DIA RANGE 3.8-6.4
- 5 BODY - COPPER PER ASTM B-152 SLEEVE - COPPER PER ASTM B-152 INSULATION - NYLON.
- 6 BODY - TIN PL PER ASTM B-545 SLEEVE - TIN PL PER ASTM B-545 INSULATION - COLOR - YELLOW.
- 7 105°C MAX OPERATING TEMPERATURE.
- 8 300 VOLT MAX.
- 9 2.62-6.64mm² [5,180 - 13,100 CMA] SOLID OR STRANDED.

500	LOOSE PIECE	130481
QTY	PACKAGE TYPE	PART NO

THIS DRAWING IS A CONTROLLED DOCUMENT.		DWN JR RUTH 11APR07	STE TE Connectivity	
DIMENSIONS: mm		CHK T MICHELUTTI 11APR07		
TOLERANCES UNLESS OTHERWISE SPECIFIED:		APVD T MICHELUTTI 11APR07	NAME	
0 PLC ± -		PRODUCT SPEC	TERMINAL RING TONGUE, PIDG, WIRE SIZE 12-10	
1 PLC ± 0.2		APPLICATION SPEC	SIZE	RESTRICTED TO
2 PLC ± -		WEIGHT -	A3	-
3 PLC ± -		CUSTOMER DRAWING	CAGE CODE 00779	DRAWING NO C-130481
4 PLC ± -		SCALE 4:1	SHEET 1 OF 1	REV C2
ANGLES ± 5°				
MATERIAL 5	FINISH 6			