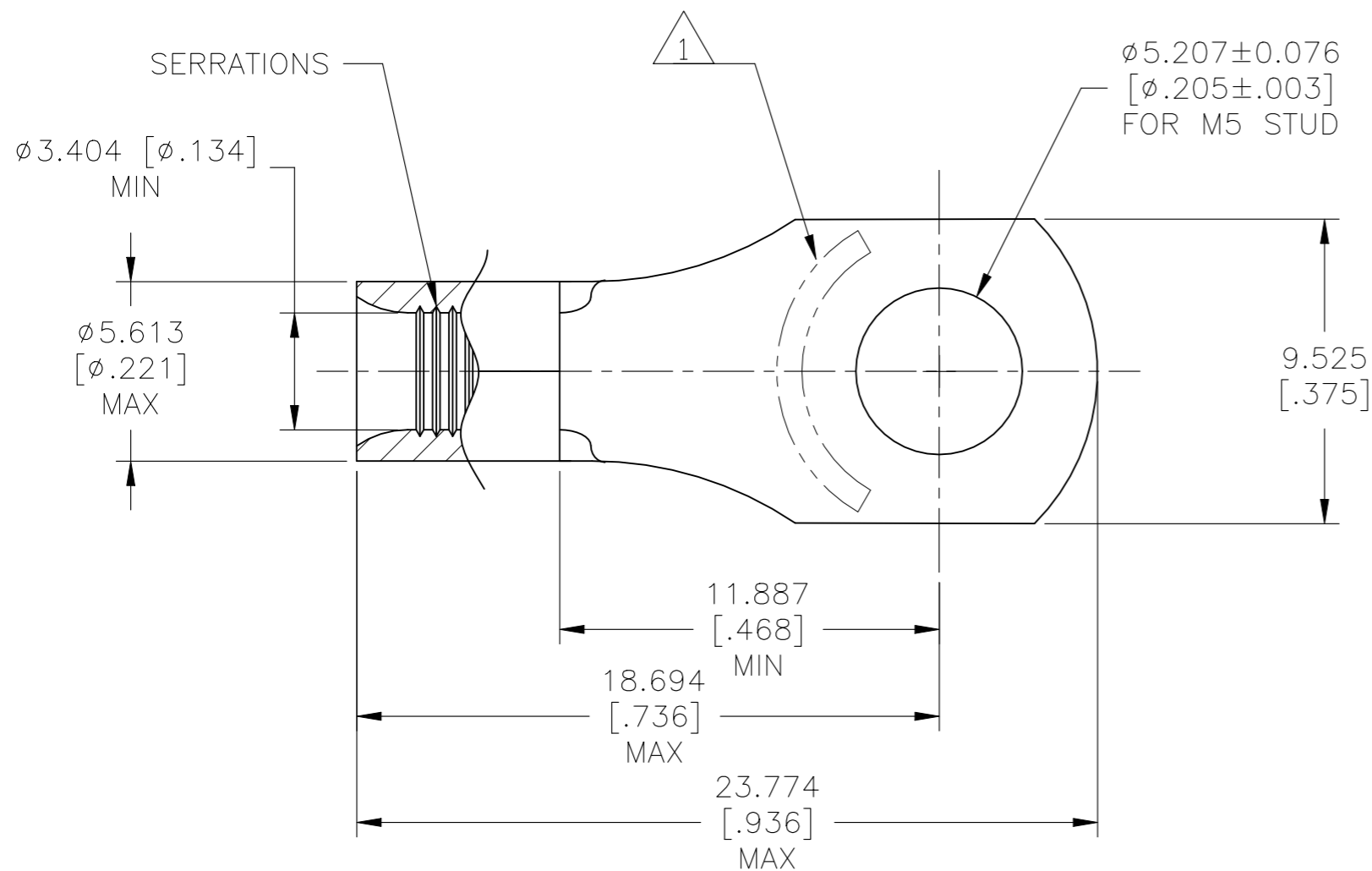


REVISIONS

P	LTR	DESCRIPTION	DATE	DWN	APVD
	A	REVISED PER ECR-22-161283	20JAN2023	LP	DSC

- 1 STAMP AMP 12-10\*, LOCATED APPROX AS SHOWN
- 2 FINISH: TIN PLATE 0.00254[.000100] MIN EXT THK PER ASTM B545
- 3 MATERIAL: COPPER PER ASTM B152, ANNEALED
- 4 BODY MATERIAL THK: 0.965±0.051[.038±.002]



130465  
PART NO

AMP INCORPORATED CUSTOMER SERVICE SYSTEMS		MAX RECOMMENDED OPERATING TEMPERATURE: 170°C[338°F]	THIS DRAWING IS A CONTROLLED DOCUMENT.		DWN jr_ruth 27JUL07	TE Connectivity TERMINAL, RING TONGUE, BUDGET, WIRE SIZE: 12-10 AWG			
FOR ADDITIONAL PRODUCT INFORMATION OR COPIES OF DRAWINGS AND TECHNICAL DOCUMENTS	PRODUCT INFORMATION CENTER 1-800-522-6752	VOLTAGE RATING: N/A	DIMENSIONS: mm [INCHES]	TOLERANCES UNLESS OTHERWISE SPECIFIED:	CHK -				
FOR APPLICATION TOOLING INFORMATION	TOOLING ASSISTANCE CENTER 1-800-722-1111	CIRCULAR MIL AREA: 2.62-6.64mm² [5,180-13,100] STRANDED			0 PLC ± -	PRODUCT SPEC	SIZE	CAGE CODE	DRAWING NO
FOR ORDER ENTRY	1-800-526-5142	THIS DRAWING IS A CONTROLLED DOCUMENT FOR AMP INCORPORATED. IT IS SUBJECT TO CHANGE AND THE CONTROLLING ENGINEERING ORGANIZATION SHOULD BE CONTACTED FOR THE LATEST REVISION.	MATERIAL	FINISH	1 PLC ± -	APPLICATION SPEC	A3 00779 C-130465		RESTRICTED TO
				3	2	2 PLC ± -	WEIGHT	CUSTOMER DRAWING	
					3 PLC ± 0.127[.005]	SCALE 5:1 SHEET 1 OF 1 REV A			
					4 PLC ± -				
					ANGLES ± -				